



capello

**PARTS
MANUAL**

QUASAR

F4 - F5 - F6 - F8 - F10 - F12

Grazie per aver acquistato un prodotto dalla Capello s.r.l

Scopo: Questo catalogo dei componenti è stato progettato per offrire agli utilizzatori una risorsa efficace per individuare le parti di ricambio per le apparecchiature prodotte dalla Capello S.r.l.

Indirizzo: Via Valle Po 100
12100 Cuneo, Italia

Ricambi e assistenza Tel.: +39 0171-413997

Fax ufficio ricambi: +39 0171-413677

E-Mail: parts@capello.it

Website: www.capelloworld.it

Stampato in: Italia

Anno di pubblicazione: 2015

Disconoscimento: La Capello s.r.l ha fatto ogni sforzo possibile per garantire che tutte le informazioni, le illustrazioni e le specifiche contenute in questo catalogo siano accurate al momento della pubblicazione.
La Capello s.r.l si riserva il diritto di apportare modifiche nelle costruzioni dei propri prodotti quanto tali modifiche sono considerate un miglioramento o un perfezionamento senza incorrere l'obbligo di aggiungere tali modifiche su qualsiasi prodotto già venduto.

Thank You for purchasing a product from Capello s.r.l

Purpose: This Parts Catalogue is designed to provide Dealers with an efficient resource to locate replacement parts for Capello s.r.l equipment.

Address: Via Valle Po 100
12100 Cuneo, Italy

Parts & Service Tel.: +39 0171-413997

Parts Dept. Fax: +39 0171-413677

E-Mail: parts@capello.it

Website: www.capelloworld.it

Printed in: Italy

Year of Publication: 2015

Disclaimer: Capello s.r.l has made every effort possible to ensure all information, illustrations and specifications in this Parts Catalogue, are accurate at the time of publication.
Capello s.r.l reserves the right to make changes in the construction of its products when such changes are deemed an improvement or refinement, without incurring the obligation to add such changes to any product already sold.

Merci d'avoir acheté un produit de Capello s.r.l

But: Ce catalogue de composants a été conçu pour offrir aux utilisateurs un moyen efficace de trouver les pièces de rechange pour leurs équipements produits par Capello S.r.l.

Adresse: Via Valle Po 100
12100 Cuneo, Italie

Pièces et Service Tel.: +39 0171-413997

Fax Bureau pièces: +39 0171-413677

E-Mail: parts@capello.it

Site web: www.capelloworld.it

Imprimé en: Italie

Année: 2015

Disclaimer: Capello s.r.l met tout en oeuvre pour garantir que toutes les informations, les illustrations et spécifications contenues dans ce catalogue sont exactes au moment de la publication. Capello s.r.l se réserve le droit de faire des changements dans la construction de ses produits si ces changements sont considérés comme une amélioration sans encourir l'obligation d'ajouter ces modifications sur les produits déjà vendus.

Danke für den Erwerb eines Produktes der Fa. Capello s.r.l.

Zweck: Dieser Ersatzteilkatalog wurde erstellt, um Händlern eine effiziente Quelle bei der Suche nach Ersatzteilen für Produkte der Fa. Capello s.r.l. zur Verfügung zu stellen.

Adresse: Via Valle Po 100
12100 Cuneo, Italien

Ersatzteil & Service Tel.: +39 0171-413997

Ersatzteilabteilung Fax: +39 0171-413677

E-Mail: parts@capello.it

Site web: www.capelloworld.it

Gedruckt in: Italien

Publikationsjahr: 2015

Disclaimer: Capello s.r.l hat jede nur denkbar mögliche Sorgfalt darauf verwendet, sicherzustellen, dass alle Informationen, Abbildungen und Spezifikationen in diesem Ersatzteilkatalog am Erscheinungstag akkurat sind. Capello s.r.l behält sich das Recht vor, Konstruktionsänderungen ihrer Produkte vorzunehmen, wenn diese als Änderungen als Verbesserung oder Veredelung erachtet werden, ohne dass eine Verpflichtung besteht diese Änderungen an bereits verkauften Produkten durchzuführen.

Table of Contents

PANEL	TAVOLA	Page
FRAMES	TELAJ	9
GUARD 4 ROWS 700/750/800	LAMIERE RIPARO TRINCIA 4 FILE	11
GUARD 5 ROWS 700	LAMIERE RIPARO TRINCIA 5 FILE 700	13
GUARD 5 ROWS 750/800	LAMIERE RIPARO TRINCIA 5 FILE 750/800	15
GUARD 6 ROWS 700	LAMIERE RIPARO TRINCIA 6 FILE 700	17
GUARD 6 ROWS 750/800	LAMIERE RIPARO TRINCIA 6 FILE 750/800	19
GUARD 8 ROWS 700	LAMIERE RIPARO TRINCIA 8 FILE 700	21
GUARD 8 ROWS 750/800	LAMIERE RIPARO TRINCIA 8 FILE 750/800	23
GUARD 10 ROWS 750	LAMIERE RIPARO TRINCIA 10 FILE 750	25
GUARD 12 ROWS 700	LAMIERE RIPARO TRINCIA 12 FILE 700	27
GUARD 12 ROWS 750	LAMIERE RIPARO TRINCIA 12 FILE 750	29
FEEDING COVER	LAMIERA RIPARO COCLEA	31
SHEET METAL 4 ROWS 700	LAMIERE FINI ANTERIORI 4 FILE 700	33
SHEET METAL 4 ROWS 750/800	LAMIERE FINI ANTERIORI 4 FILE 750/800	35
SHEET METAL 5 ROWS 700	LAMIERE FINI ANTERIORI 5 FILE 700	37
SHEET METAL 5 ROWS 750/800	LAMIERE FINI ANTERIORI 5 FILE 750/800	39
SHEET METAL 6 ROWS 700	LAMIERE FINI ANTERIORI 6 FILE 700	41
SHEET METAL 6 ROWS 750/800	LAMIERE FINI ANTERIORI 6 FILE 750/800	43
SHEET METAL 8 ROWS 700	LAMIERE FINI ANTERIORI 8 FILE 700	45
SHEET METAL 8 ROWS 750/800	LAMIERE FINI ANTERIORI 8 FILE 750/800	47
SHEET METAL 10 ROWS 750	LAMIERE FINI ANTERIORI 10 FILE 750	49
SHEET METAL 12 ROWS 700	LAMIERE FINI ANTERIORI 12 FILE 700	51
SHEET METAL 12 ROWS 750	LAMIERE FINI ANTERIORI 12 FILE 750	53
ROD	TIRANTE	55
MIDDLE SNOUT	COFANO CENTRALE	57
FIXING	FISSAGGIO	59
MIDDLE DIVIDER	PUNTA CENTRALE	61
FIXING	FISSAGGIO	63
BONNET LATERAL	COFANO LATERALE	65
COVER	COPERTURA	67
LATERAL DIVIDER	PUNTA LATERALE	69
FIXING	FISSAGGIO	71
RUBBER FLAP	GOMMA RIPARO PANNOCCHIE	73
BODY FIXING	FISSAGGIO CARROZZERIA	75
SHANK	CODOLO	77
TO HARVESTING CHAIN	TRASMISSIONE CATENE	79

Table of Contents

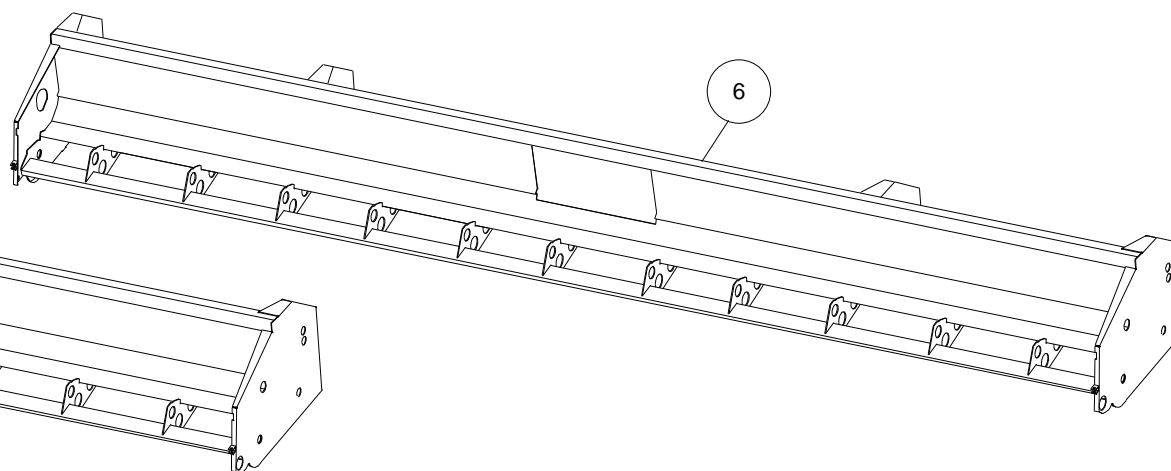
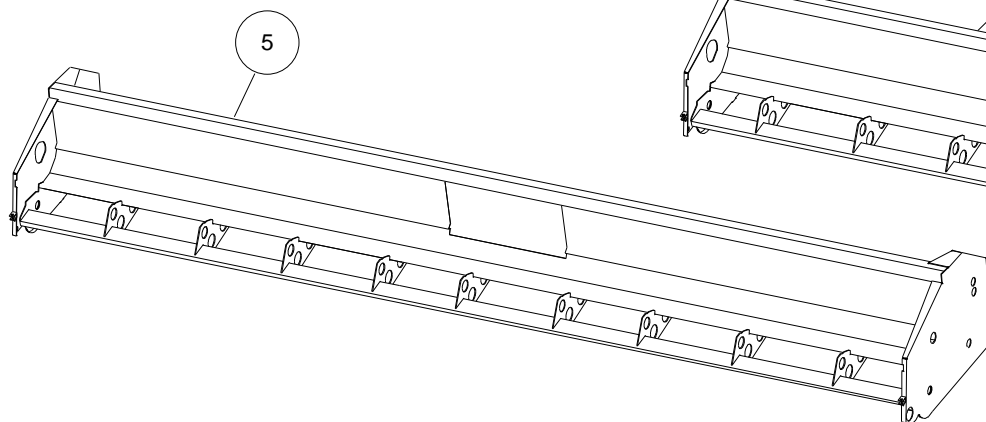
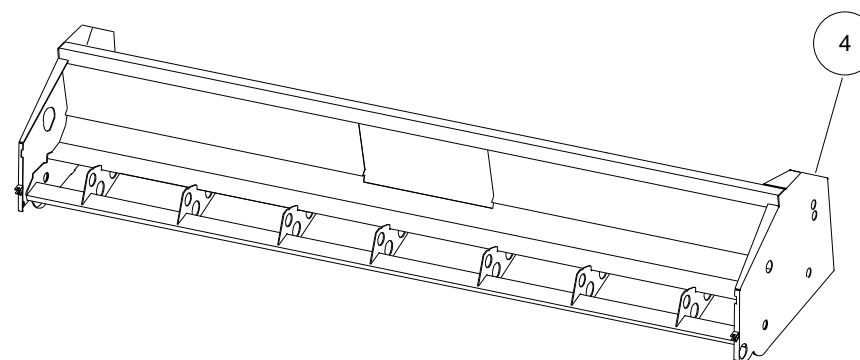
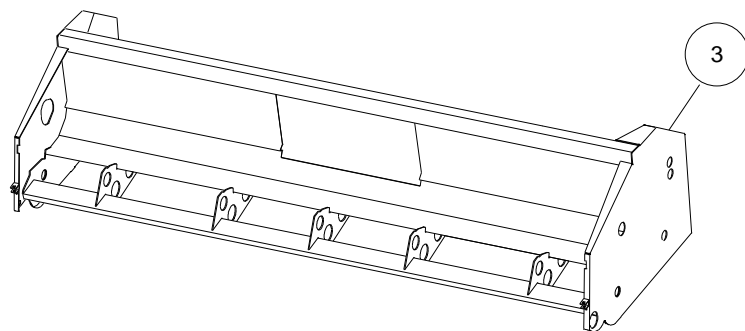
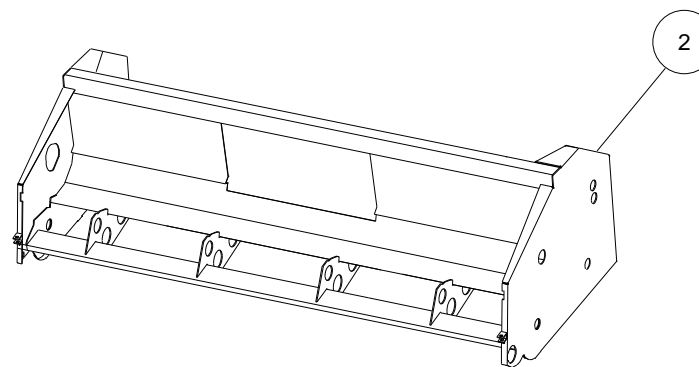
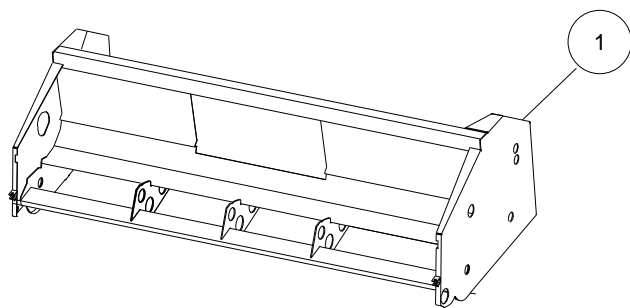
PANEL	TAVOLA	Page
TO ROLLER	TRASMISSIONE RULLI	81
GATHERING CHAIN	TENDICATENA	83
LOGEMENT	INVOLUCRI	87
ROLLER	RULLI A COLTELLI	89
COVER WITHOUT STALK CHOPPER	COPERCHI SENZA TRINCIASTOCCHI	93
COVER WITH STALK CHOPPER	COPERCHI CONTRINCIASTOCCHI	95
TO CHOPPING UNIT	TRASMISSIONE	97
STALK CHOPPER	ROTORE TRINCIASTOCCHI	101
STALK CHOPPER	ROTORE TRINCIASTOCCHI	103
GUARD	PROTEZIONE TRINCIASTOCCHI	105
CLUTCH	LIMITATORE DI COPPIA	107
FIXING	FISSAGGIO	109
AUGER GEARBOX	SCATOLA TRASMISSIONE COCLEA	111
AUGER SUPPORT	SUPPORTO COCLEE	115
AUGER SUPPORT 10 ROWS	SUPPORTO COCLEE 10 FILE 700	117
AUGER SUPPORT 10 ROWS 750	SUPPORTO COCLEE 10 FILE 750	119
AUGER SUPPORT 12 ROWS 700	SUPPORTO COCLEE 12 FILE 700	121
AUGER SUPPORT 12 ROWS	SUPPORTO COCLEE 12 FILE	123
AUGER SUPPORT 12 ROWS	SUPPORTO COCLEE 12 FILE	125
AUGER TRANSMISSION 4 ROWS	TRASMISSIONE COCLEA 4 FILE	127
AUGER TRANSMISSION 5 ROWS 700	TRASMISSIONE COCLEA 5 FILE 700	131
AUGER GEARBOX 5 ROWS 750/800	SCATOLA COCLEA 5 FILE 750/800	135
AUGER GEARBOX 6 ROWS 700	SCATOLA COCLEA 6 FILE 700	137
AUGER GEARBOX 6 ROWS 750	SCATOLA COCLEA 6 FILE 750	139
AUGER GEARBOX 6 ROWS 800	SCATOLA COCLEA 6 FILE 800	141
AUGER GEARBOX 8 ROWS 700	SCATOLA COCLEA 8 FILE 700	143
AUGER GEARBOX 8 ROWS 750	SCATOLA COCLEA 8 FILE 750	145
AUGER GEARBOX 8 ROWS 800	SCATOLA COCLEA 8 FILE 800	147
LATERAL GEARBOX 10-12 ROWS	SCATOLA COCLEA 10-12 FILE	149
HARVEST UNIT TRANSMISSION	TRASMISSIONE GRUPPI	151
LATERAL TRANSMISSION	TRASMISSIONE LATERALE	153
LATERAL GUARD	CARTER LATERALE	157
REAR TRANSMISSION 10-12 ROWS	TRASMISSIONE POSTERIORE 10-12 FILE	159
HEXAGONAL SHAFT 4 ROWS 700	ALBERI ESAGONALI 4 FILE 700	161
HEXAGONAL SHAFT 4 ROWS 750	ALBERI ESAGONALI 4 FILE 750	163
HEXAGONAL SHAFT 5 ROWS 700	ALBERI ESAGONALI 5 FILE 700	165

Table of Contents

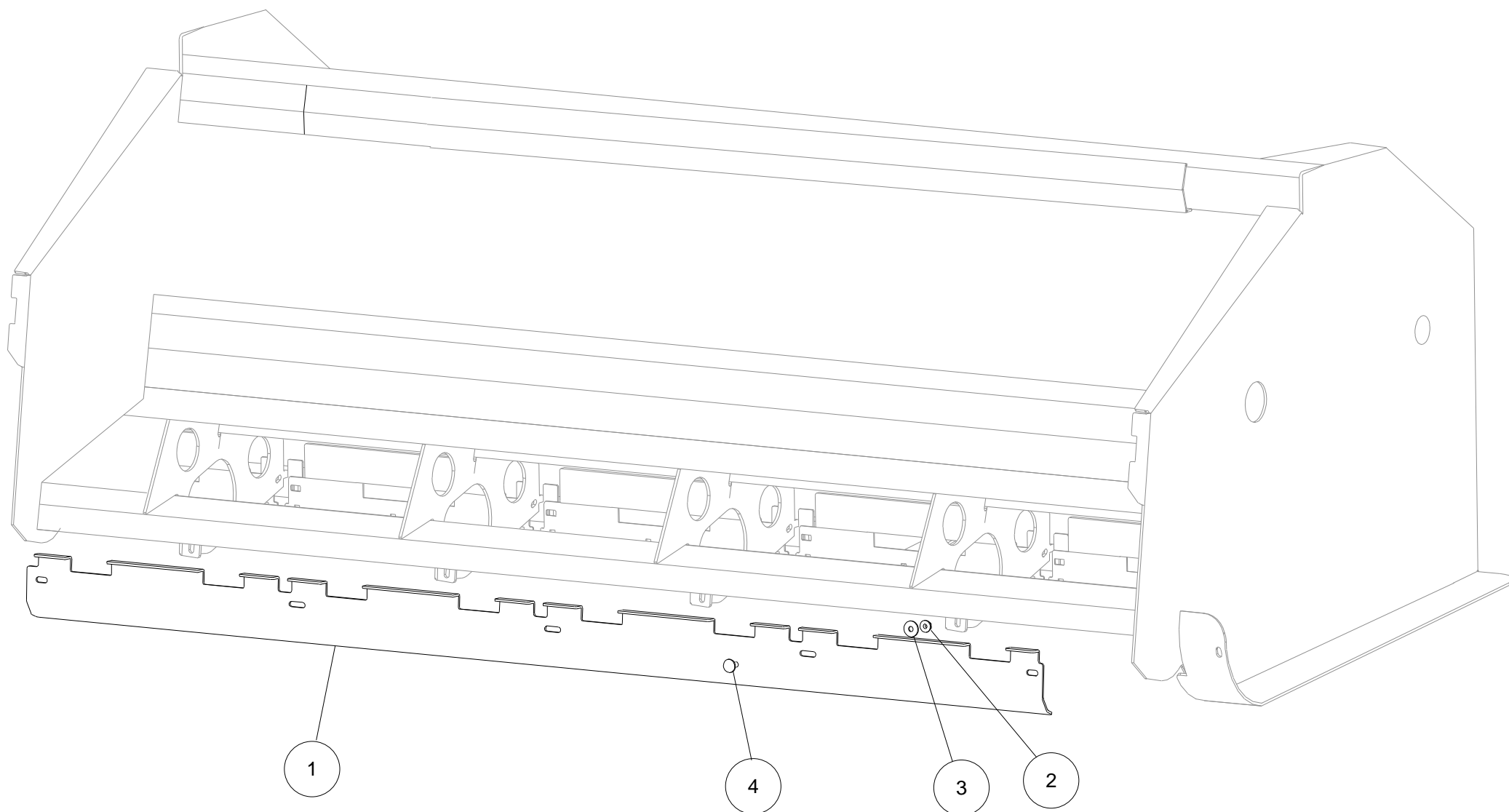
PANEL	TAVOLA	Page
HEXAGONAL SHAFT 5 ROWS 750	ALBERI ESAGONALI 5 FILE 750	167
HEXAGONAL SHAFT 5 ROWS 800	ALBERI ESAGONALI 5 FILE 800	169
HEXAGONAL SHAFT 6 ROWS 700	ALBERI ESAGONALI 6 FILE 700	171
HEXAGONAL SHAFT 6 ROWS 750	ALBERI ESAGONALI 6 FILE 750	173
HEXAGONAL SHAFT 6 ROWS 800	ALBERI ESAGONALI 6 FILE 800	175
HEXAGONAL SHAFT 8 ROWS 700	ALBERI ESAGONALI 8 FILE 700	177
HEXAGONAL SHAFT 8 ROWS 750	ALBERI ESAGONALI 8 FILE 750	179
HEXAGONAL SHAFT 8 ROWS 800	ALBERI ESAGONALI 8 FILE 800	181
HEXAGONAL SHAFT 10 ROWS 700	ALBERI ESAGONALI 10 FILE 700	183
HEXAGONAL SHAFT 10 ROWS 750	ALBERI ESAGONALI 10 FILE 750	185
HEXAGONAL SHAFT 12 ROWS 700	ALBERI ESAGONALI 12 FILE 700	187
HEXAGONAL SHAFT 12 ROWS 750	ALBERI ESAGONALI 12 FILE 750	189
LEVIER PLATS	DECK PLATES	191
MULTIFASTER CLAAS	MULTIFASTER CLAAS	193
MULTIFASTER NEW HOLLAND	MULTIFASTER NEW HOLLAND	195
MULTIFASTER JOHN DEERE	MULTIFASTER JOHN DEERE	197
MULTIFASTER CASE IH	MULTIFASTER CASE IH	199
MOUNTING PLATE JOHN DEERE WTS	ATTACCO JOHN DEERE WTS	201
MOUNTING PLATE JOHN DEERE 2000	ATTACCO JOHN DEERE 2000	203
MOUNTING PLATE JOHN DEERE TRINCIA	ATTACCO JOHN DEERE TRINCIA	205
MOUNTING PLATE NEW HOLLAND TX	ATTACCO NEW HOLLAND TX	207
MOUNTING PLATE NEW HOLLAND CX	ATTACCO NEW HOLLAND CX	209
MOUNTING PLATE CLAAS LEXION 400	ATTACCO CLAAS LEXION 400	211
MOUNTING PLATE LEXION 500	ATTACCO CLAAS LEXION 500	215
MOUNTING PLATE CLAAS AVERO	ATTACCO CLAAS AVERO	219
MOUNTING PLATE CLAAS MEDION	ATTACCO CLAAS MEDION	223
MOUNTING PLATE CLAAS 200	ATTACCO CLAAS 200	225
MOUNTING PLATE AGCO	ATTACCO AGCO	227
MOUNTING PLATE CASE IH LARGE MOUTHPIECE	ATTACCO CASE IH IMBOCCATURA LARGA	229
MOUNTING PLATE LAVERDA LARGE MOUTHPIECE	ATTACCO LAVERDA IMBOCCATURA LARGA	231
MOUNTING PLATE LAVERDA NARROW MOUTH	ATTACCO LAVERDA IMB. STRETTA	233
MOUNTING PLATE JAGUAR 494	ATTACCO JAGUAR 494	235
MOUNTING PLATE JAGUAR 492 LATERAL	ATTACCO JAGUAR 492 MOTO LATERALE	237
MOUNTING PLATE JAGUAR 494 FRONTAL	ATTACCO JAGUAR 492 FRONTALE	239
MOUNTING PLATE DEUTZ FAHR LARGE MOUTH	ATTACCO DEUTZ FAHR IMBOCCATURA LARGA	241
MOUNTING PLATE DEUTZ FAHR NARROW MOUTH	ATTACCO DEUTZ FAHR IMBOCCATURA STRETTA	243

Table of Contents

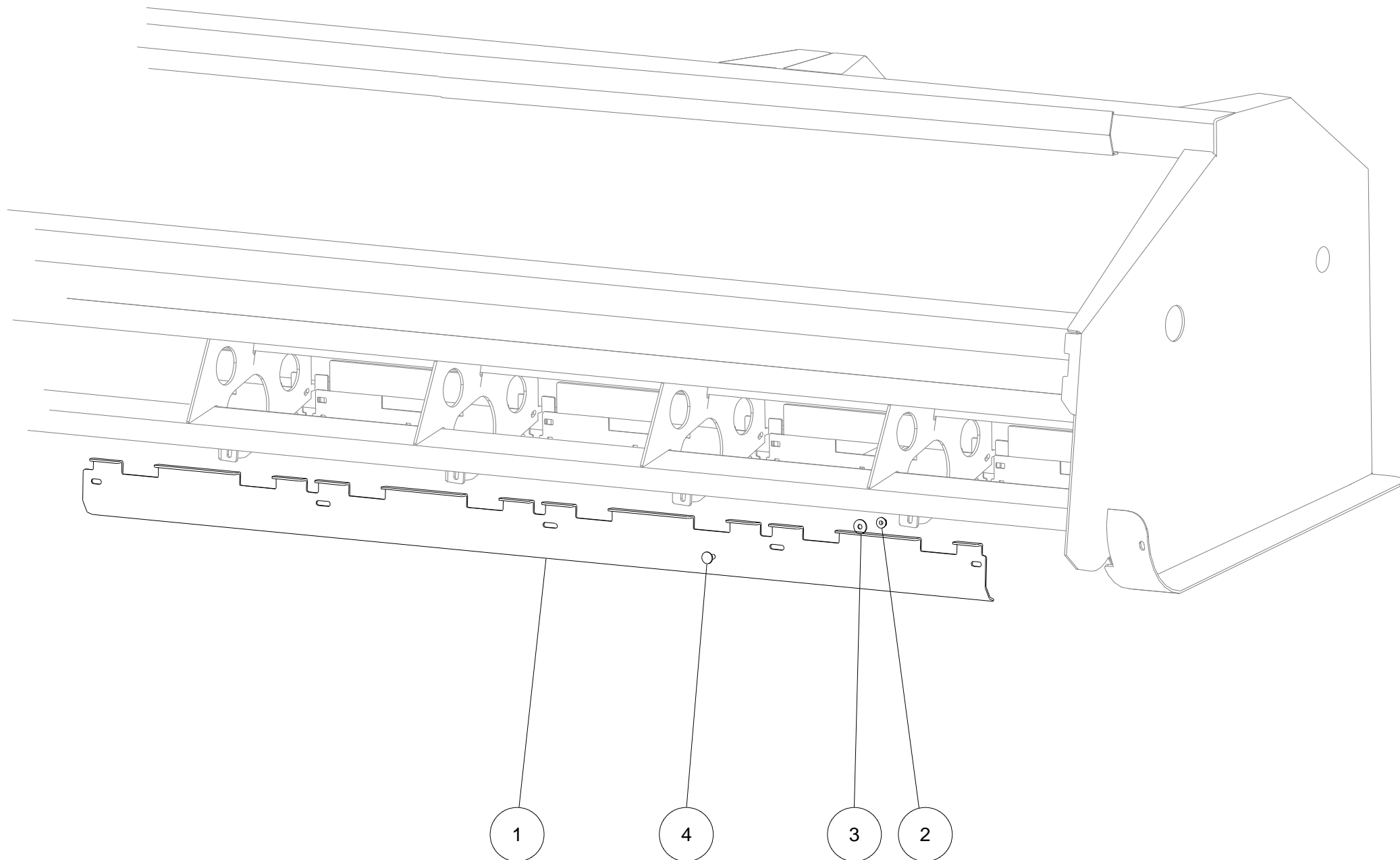
PANEL	TAVOLA	Page
MOUNTING PLATE FIAT 521	ATTACCO FIAT 521	245
MOUNTING PLATE FIAT 624	ATTACCO FIAT 624	247
HEAD SENSOR (JOHN DEERE-AGCO- CLAAS)	TASTATORE (JOHN DEERE-AGCO- CLAAS)	249
HEAD SENSOR (NH - DEUTZ FAHR)	TASTATORE (NH - DEUTZ FAHR)	251
LATERAL AUGER	COCLEE IDRAULICHE	253
LATERAL AUGER SUPPORT	SUPPORTO COCLEE IDRAULICHE	257
STALK CRUSHER	SCHIACCIASTOCCHI	259
BRIEFCASE	PORTADOCUMENTI	261
KIT SUNFLOWER	KIT GIRASOLE	263
SAFETY STICKERS	ADESIVI DI SICUREZZA	265



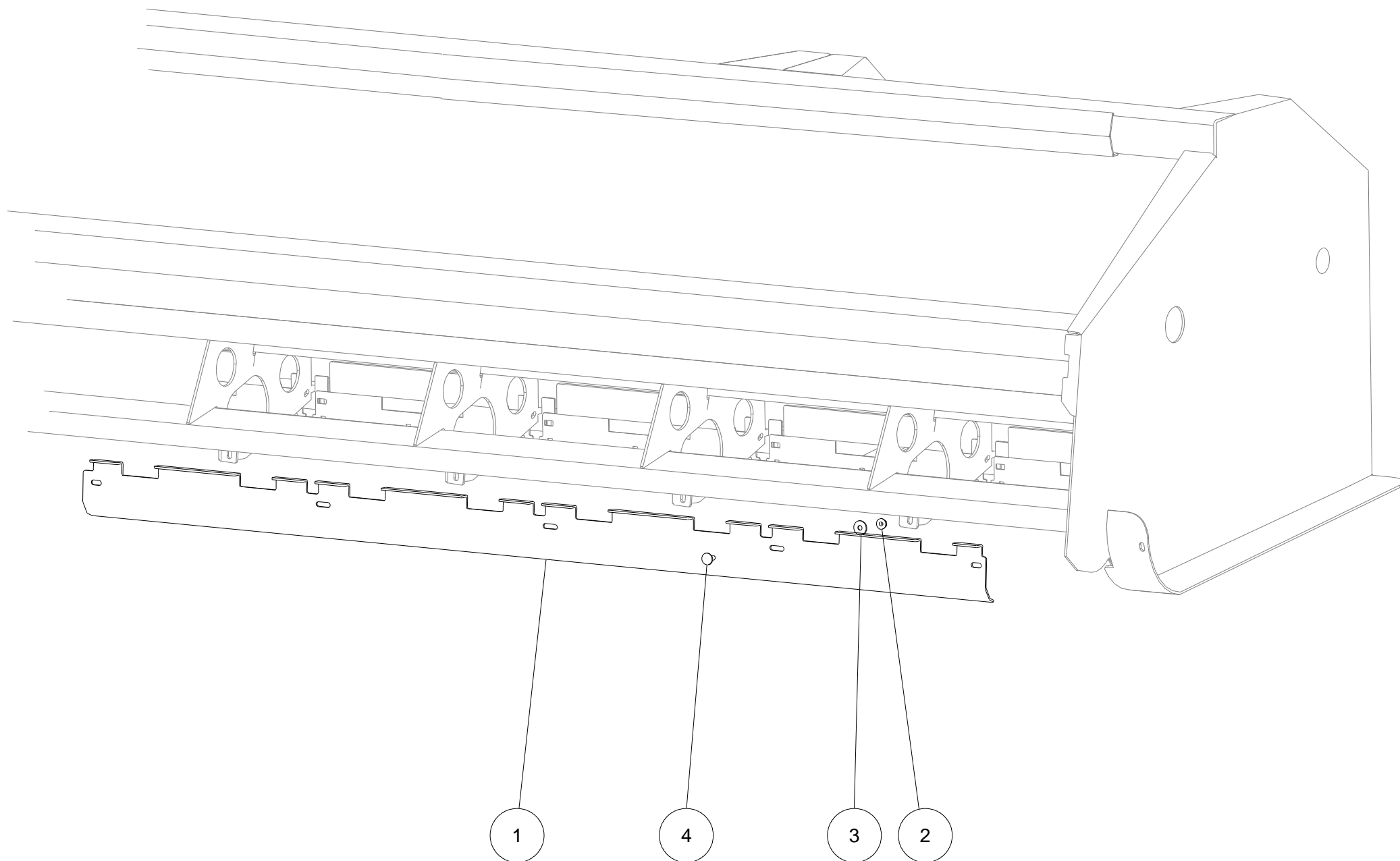
Pos	Code	Descrizione	Note	Description	Description	Beschreibung	Descripcìon
1	01.4500.00	TELAIO	4F 700	FRAME	CHASSIS	RAHMEN	CHASIS
1	01.4501.00	TELAIO	4F 750/800	FRAME	CHASSIS	RAHMEN	CHASIS
2	01.4502.00	TELAIO	5F 700	FRAME	CHASSIS	RAHMEN	CHASIS
2	01.4503.00	TELAIO	5F 750/800	FRAME	CHASSIS	RAHMEN	CHASIS
3	01.4504.00	TELAIO	6F 750	FRAME	CHASSIS	RAHMEN	CHASIS
3	01.4505.00	TELAIO	6F 700	FRAME	CHASSIS	RAHMEN	CHASIS
3	01.4506.00	TELAIO	6F 800	FRAME	CHASSIS	RAHMEN	CHASIS
4	01.4507.00	TELAIO	8F 700	FRAME	CHASSIS	RAHMEN	CHASIS
4	01.4508.00	TELAIO	8F 750	FRAME	CHASSIS	RAHMEN	CHASIS
4	01.4509.00	TELAIO	8F 800	FRAME	CHASSIS	RAHMEN	CHASIS
5	01.4514.00	TELAIO	10F 700	FRAME	CHASSIS	RAHMEN	CHASIS
5	01.4547.00	TELAIO	10F 800	FRAME	CHASSIS	RAHMEN	CHASIS
5	01.4564.00	TELAIO	10F 750	FRAME	CHASSIS	RAHMEN	CHASIS
6	01.4510.00	TELAIO	12F 700	FRAME	CHASSIS	RAHMEN	CHASIS
6	01.4511.00	TELAIO	12F 750	FRAME	CHASSIS	RAHMEN	CHASIS
6	01.4512.00	TELAIO	12F 800	FRAME	CHASSIS	RAHMEN	CHASIS



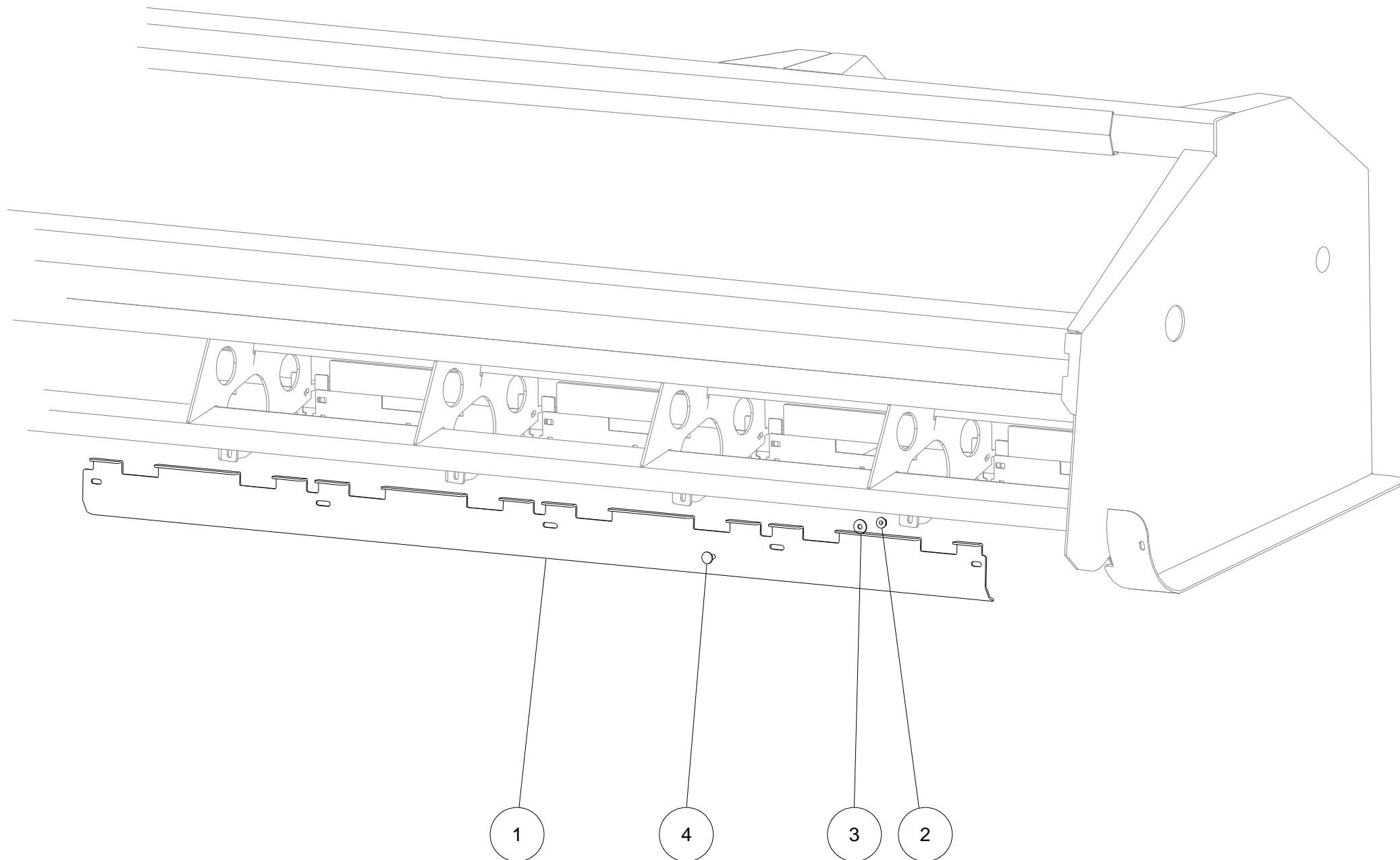
Pos	Code	Descrizione	Note	Description	Description	Beschreibung	Descripcìon
1	01.2175.00	LAMIERA RIPARO TRINCIASTOCCHI	750/800	GUARD	GARANT	SCHUTZ	REPARO
1	01.3065.00	LAMIERA RIPARO TRINCIASTOCCHI	700	GUARD	GARANT	SCHUTZ	REPARO
2	PMF-000012	DADO TENSILOCK	M10	SECURING NUT TENSILOCK	ECROU TENSILOCK	SICHERUNGSMUTTER TENSILOCK	CONTRATUERCA TENSILOCK
3	PMF-000075	RONDELLA	10X30X2.5	WASHER	RONDELLE	SCHEIBE	ARANDELLA
4	PMF-000029	VITE TBQS	M10X25	COACH SCREW	VIS A TETE BOMBEE	FLACHRUNDSCHRAUBE	TORNILLO



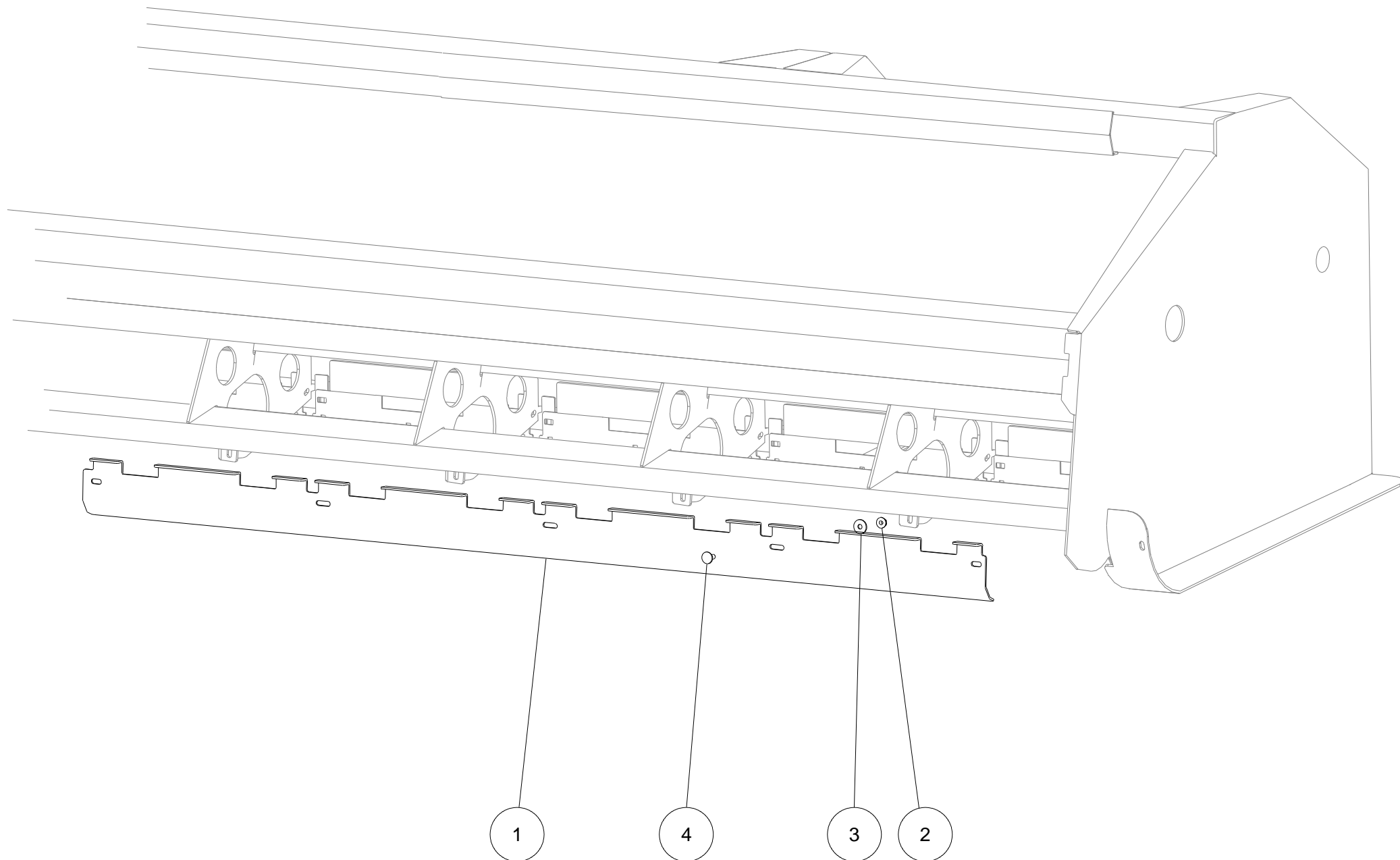
Pos	Code	Descrizione	Note	Description	Description	Beschreibung	Descripcìon
1	01.2345.00	LAMIERA RIPARO TRINCIASTOCCHI SINISTRA	LEFT	LEFT GUARD	GARANT GAUCHE	SCHUTZ LINKS	REPARO IZQUIERDO
1	01.2346.00	LAMIERA RIPARO TRINCIASTOCCHI DESTRA	RIGHT	RIGHT GUARD	GARANT DROITE	SCHUTZ RECHTS	REPARO DERECHO
2	PMF-000012	DADO TENSILOCK	M10	SECURING NUT TENSILOCK	ECROU TENSILOCK	SICHERUNGSMUTTER TENSILOCK	CONTRATUERCA TENSILOCK
3	PMF-000075	RONDELLA	10X30X2.5	WASHER	RONDELLE	SCHEIBE	ARANDELLA
4	PMF-000029	VITE TBQS	M10X25	COACH SCREW	VIS A TETE BOMBEE	FLACHRUNDSCHRAUBE	TORNILLO



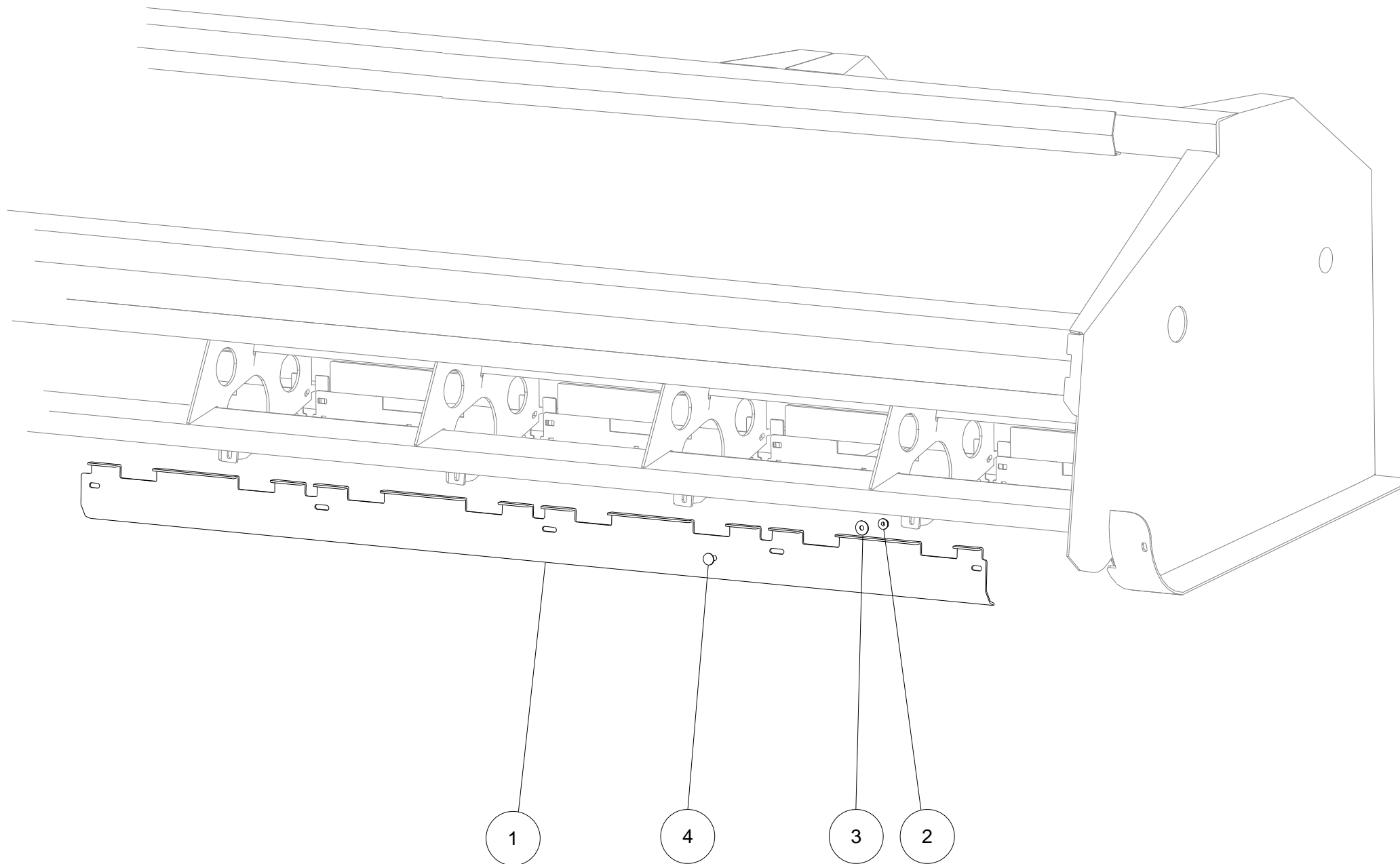
Pos	Code	Descrizione	Note	Description	Description	Beschreibung	Descrìcion
1	01.2176.00	LAMIERA RIPARO TRINCIASTOCCHI SINISTRA	LEFT	LEFT GUARD	GARANT GAUCHE	SCHUTZ LINKS	REPARO IZQUIERDO
1	01.2177.00	LAMIERA RIPARO TRINCIASTOCCHI DESTRA	RIGHT	RIGHT GUARD	GARANT DROITE	SCHUTZ RECHTS	REPARO DERECHO
2	PMF-000012	DADO TENSILOCK	M10	SECURING NUT TENSILOCK	ECROU TENSILOCK	SICHERUNGSMUTTER TENSILOCK	CONTRATUERCA TENSILOCK
3	PMF-000075	RONDELLA	10X30X2.5	WASHER	RONDELLE	SCHEIBE	ARANDELLA
4	PMF-000029	VITE TBQS	M10X25	COACH SCREW	VIS A TETE BOMBEE	FLACHRUNDSCHRAUBE	TORNILLO



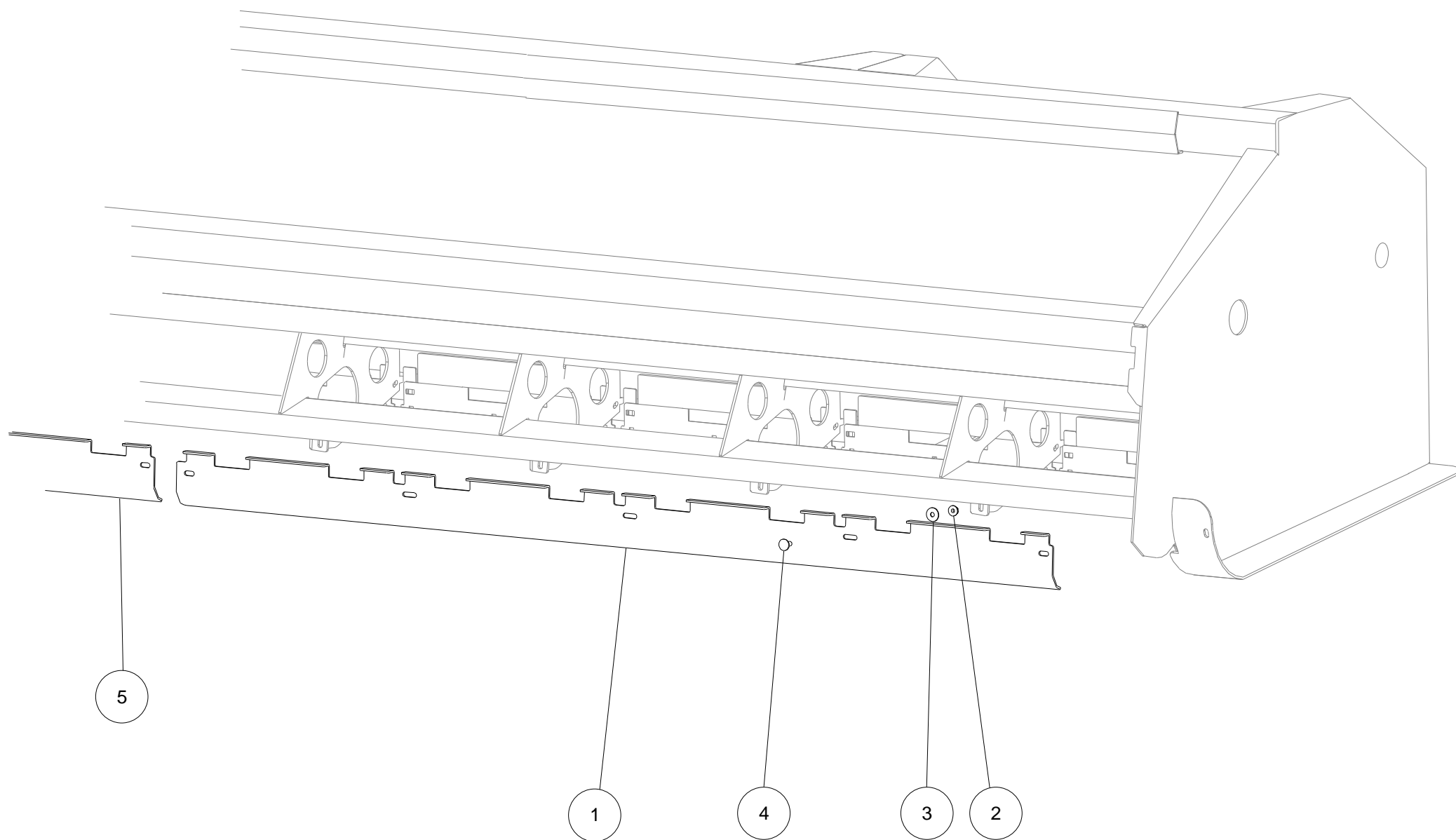
Pos	Code	Descrizione	Note	Description	Description	Beschreibung	Descripción
1	01.2367.00	LAMIERA RIPARO TRINCIASTOCCHI SINISTRA	LEFT	LEFT GUARD	GARANT GAUCHE	SCHUTZ LINKS	REPARO IZQUIERDO
1	01.2368.00	LAMIERA RIPARO TRINCIASTOCCHI DESTRA	RIGHT	RIGHT GUARD	GARANT DROITE	SCHUTZ RECHTS	REPARO DERECHO
2	PMF-000012	DADO TENSILOCK	M10	SECURING NUT TENSILOCK	ECROU TENSILOCK	SICHERUNGSMUTTER TENSILOCK	CONTRATUERCA TENSILOCK
3	PMF-000075	RONDELLA	10X30X2.5	WASHER	RONDELLE	SCHEIBE	ARANDELLA
4	PMF-000029	VITE TBQS	M10X25	COACH SCREW	VIS A TETE BOMBEE	FLACHRUNDSCHRAUBE	TORNILLO



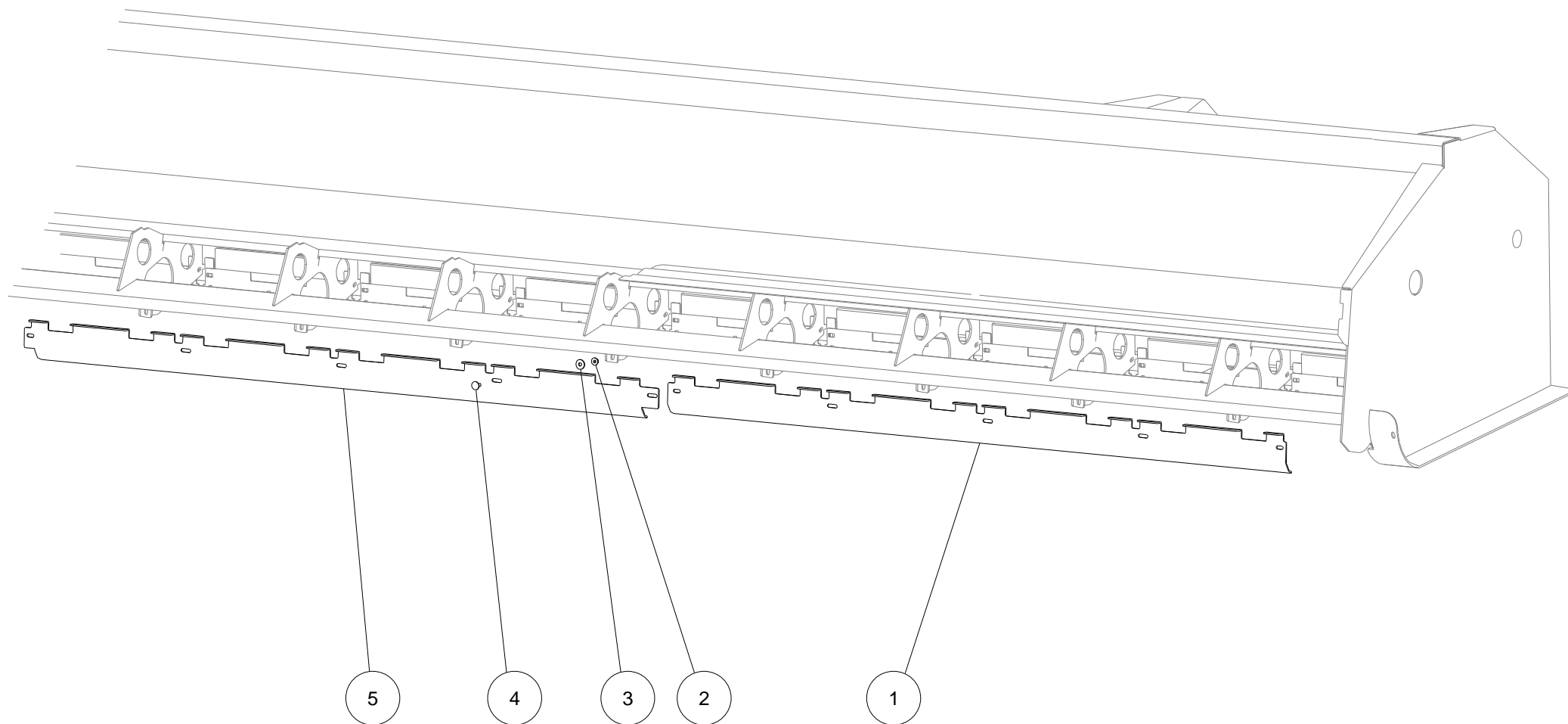
Pos	Code	Descrizione	Note	Description	Description	Beschreibung	Descripción
1	01.1990.00	LAMIERA RIPARO TRINCIASTOCCHI DESTRA	750-RIGHT	RIGHT GUARD	GARANT DROITE	SCHUTZ RECHTS	REPARO DERECHO
1	01.1991.00	LAMIERA RIPARO TRINCIASTOCCHI SINISTRA	750-LEFT	LEFT GUARD	GARANT GAUCHE	SCHUTZ LINKS	REPARO IZQUIERDO
1	01.2339.00	LAMIERA RIPARO TRINCIASTOCCHI SINISTRA	800-LEFT	LEFT GUARD	GARANT GAUCHE	SCHUTZ LINKS	REPARO IZQUIERDO
1	01.2340.00	LAMIERA RIPARO TRINCIASTOCCHI DESTRA	800-RIGHT	RIGHT GUARD	GARANT DROITE	SCHUTZ RECHTS	REPARO DERECHO
2	PMF-000012	DADO TENSILOCK	M10	SECURING NUT TENSILOCK	ECROU TENSILOCK	SICHERUNGSMUTTER TENSILOCK	CONTRATUERCA TENSILOCK
3	PMF-000075	RONDELLA	10X30X2.5	WASHER	RONDELLE	SCHEIBE	ARANDELLA
4	PMF-000029	VITE TBQS	M10X25	COACH SCREW	VIS A TETE BOMBEE	FLACHRUNDSCHRAUBE	TORNILLO



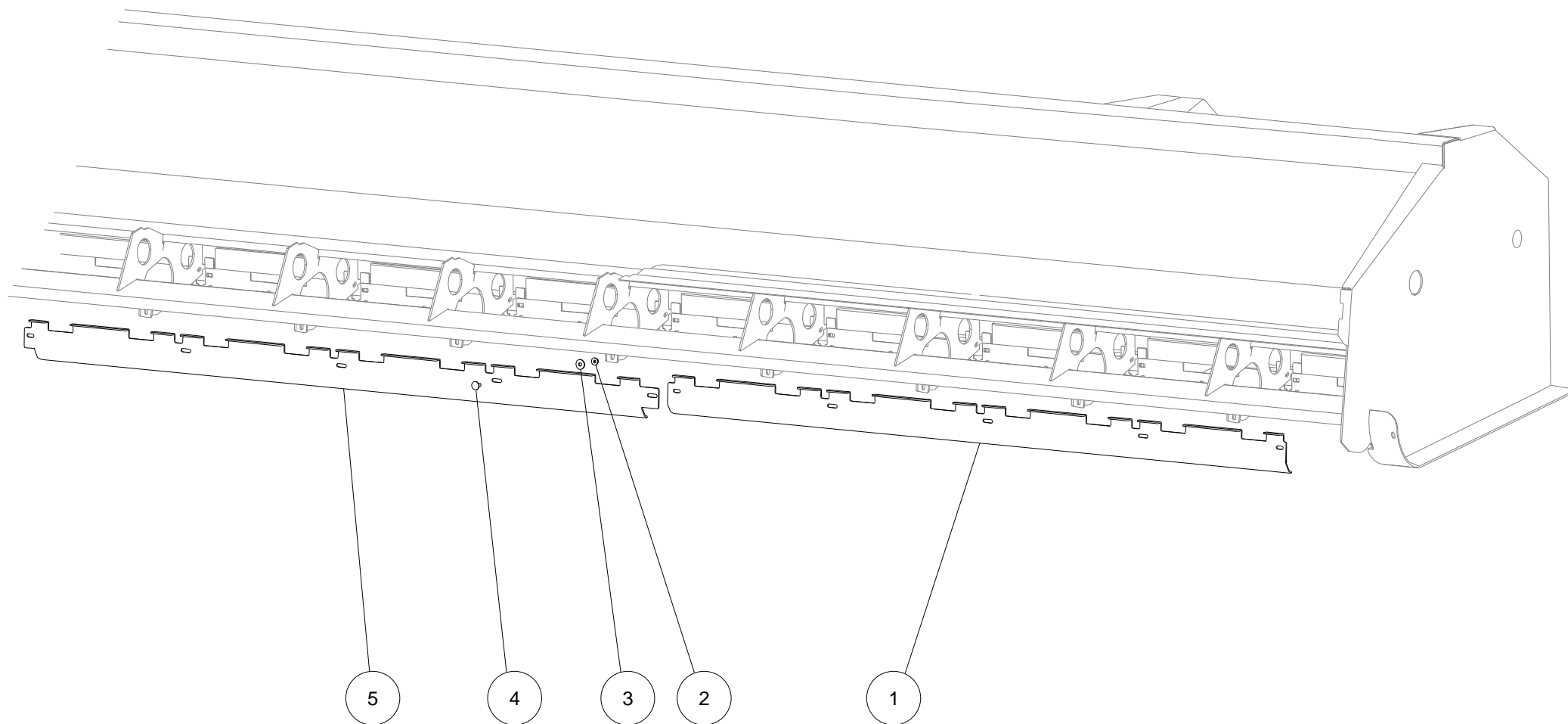
Pos	Code	Descrizione	Note	Description	Description	Beschreibung	Descripcìon
1	01.2349.00	LAMIERA RIPARO TRINCIASTOCCHI DESTRA	RIGHT	RIGHT GUARD	GARANT DROITE	SCHUTZ RECHTS	REPARO DERECHO
1	01.2353.00	LAMIERA RIPARO TRINCIASTOCCHI SINISTRA	LEFT	LEFT GUARD	GARANT GAUCHE	SCHUTZ LINKS	REPARO IZQUIERDO
2	PMF-000012	DADO TENSILOCK	M10	SECURING NUT TENSILOCK	ECROU TENSILOCK	SICHERUNGSMUTTER TENSILOCK	CONTRATUERCA TENSILOCK
3	PMF-000075	RONDELLA	10X30X2.5	WASHER	RONDELLE	SCHEIBE	ARANDELLA
4	PMF-000029	VITE TBQS	M10X25	COACH SCREW	VIS A TETE BOMBEE	FLACHRUNDSCHRAUBE	TORNILLO



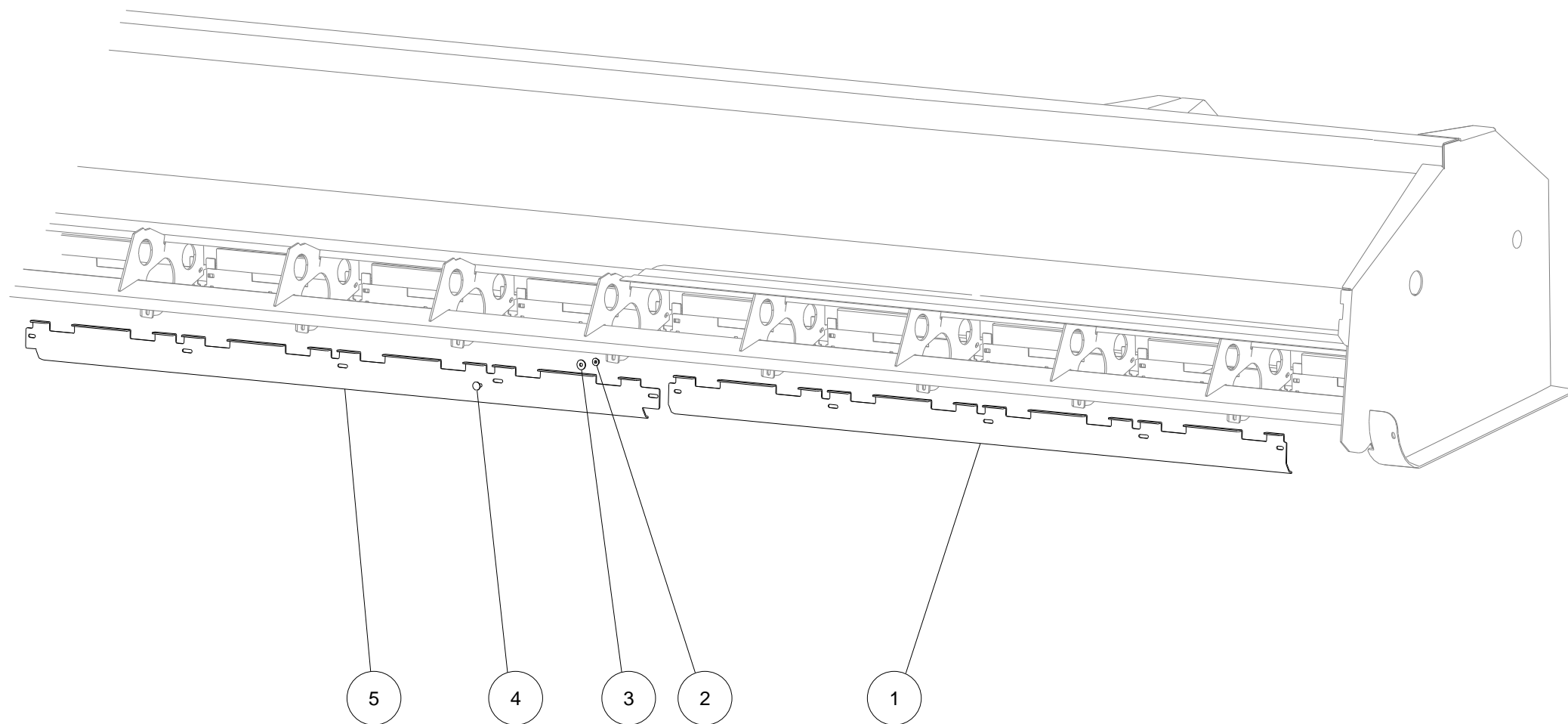
Pos	Code	Descrizione	Note	Description	Description	Beschreibung	Descripción
1	01.1992.00	LAMIERA RIPARO TRINCIASTOCCHI DESTRA	750-RIGHT	RIGHT GUARD	GARANT DROITE	SCHUTZ RECHTS	REPARO DERECHO
1	01.1993.00	LAMIERA RIPARO TRINCIASTOCCHI SINISTRA	750-LEFT	LEFT GUARD	GARANT GAUCHE	SCHUTZ LINKS	REPARO IZQUIERDO
1	01.2394.00	LAMIERA RIPARO TRINCIASTOCCHI DESTRA	800-RIGHT	RIGHT GUARD	GARANT DROITE	SCHUTZ RECHTS	REPARO DERECHO
1	01.2395.00	LAMIERA RIPARO TRINCIASTOCCHI SINISTRA	800-LEFT	LEFT GUARD	GARANT GAUCHE	SCHUTZ LINKS	REPARO IZQUIERDO
2	PMF-000012	DADO TENSILOCK	M10	SECURING NUT TENSILOCK	ECROU TENSILOCK	SICHERUNGSMUTTER TENSILOCK	CONTRATUERCA TENSILOCK
3	PMF-000075	RONDELLA	10X30X2.5	WASHER	RONDELLE	SCHEIBE	ARANDELLA
4	PMF-000029	VITE TBQS	M10X25	COACH SCREW	VIS A TETE BOMBEE	FLACHRUNDSCHRAUBE	TORNILLO
5	01.1994.00	LAMIERA RIPARO TRINCIASTOCCHI CENTRALE	750-CX	INNER GUARD	GARANT CENTRAL	SCHUTZ MITTE	REPARO CENTRAL
5	01.2396.00	LAMIERA RIPARO TRINCIASTOCCHI CENTRALE	800-CX	INNER GUARD	GARANT CENTRAL	SCHUTZ MITTE	REPARO CENTRAL



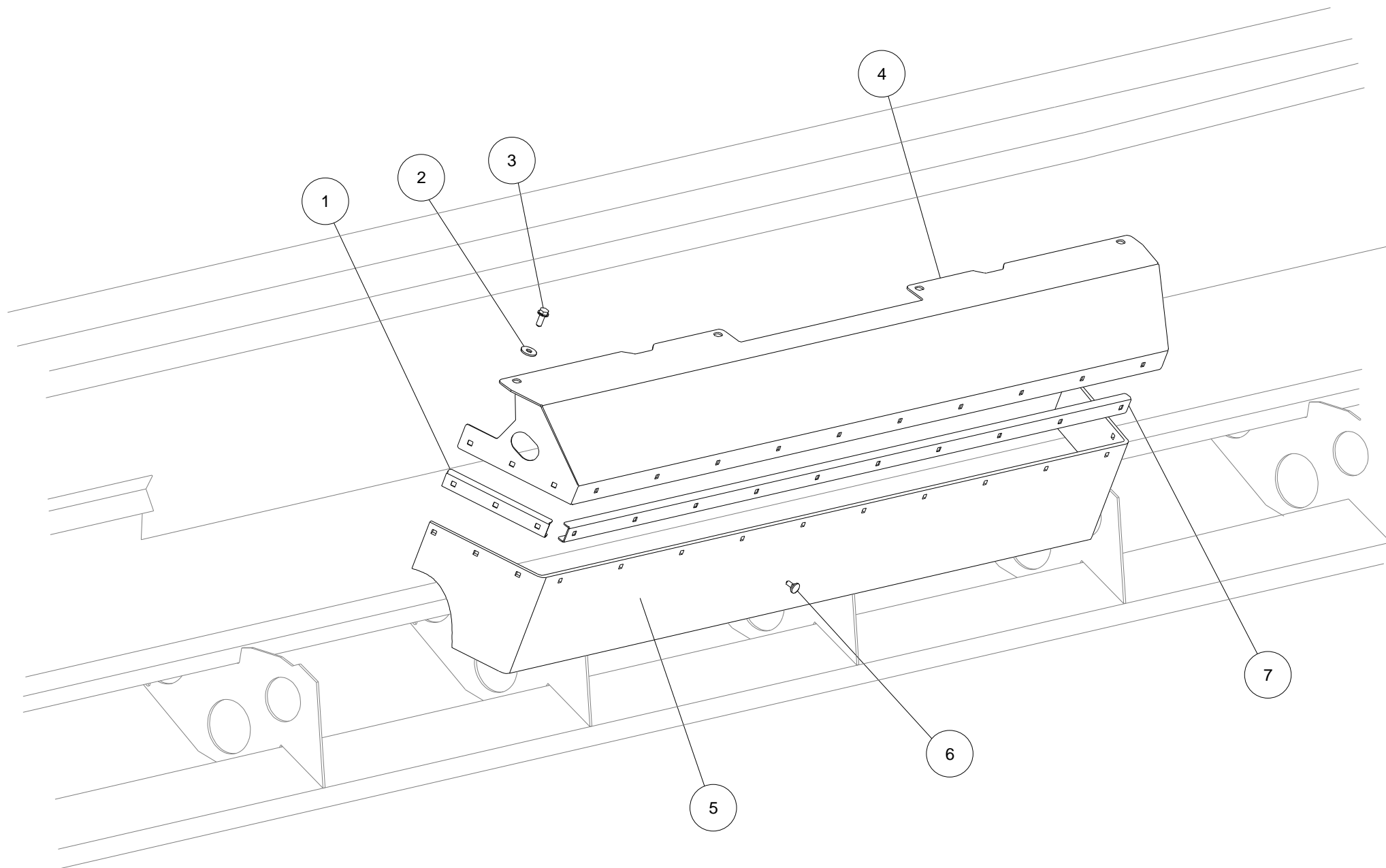
Pos	Code	Descrizione	Note	Description	Description	Beschreibung	Descripción
1	01.2714.00	LAMIERA RIPARO TRINCIASTOCCHI DESTRA	RIGHT	RIGHT GUARD	GARANT DROITE	SCHUTZ RECHTS	REPARO DERECHO
1	01.2715.00	LAMIERA RIPARO TRINCIASTOCCHI SINISTRA	LEFT	LEFT GUARD	GARANT GAUCHE	SCHUTZ LINKS	REPARO IZQUIERDO
2	PMF-000012	DADO TENSILOCK	M10	SECURING NUT TENSILOCK	ECROU TENSILOCK	SICHERUNGSMUTTER TENSILOCK	CONTRATUERCA TENSILOCK
3	PMF-000075	RONDELLA	10X30X2.5	WASHER	RONDELLE	SCHEIBE	ARANDELLA
4	PMF-000029	VITE TBQS	M10X25	COACH SCREW	VIS A TETE BOMBEE	FLACHRUNDSCHRAUBE	TORNILLO
5	01.2716.00	LAMIERA RIPARO TRINCIASTOCCHI CENTRALE	CX	INNER GUARD	GARANT CENTRAL	SCHUTZ MITTE	REPARO CENTRAL



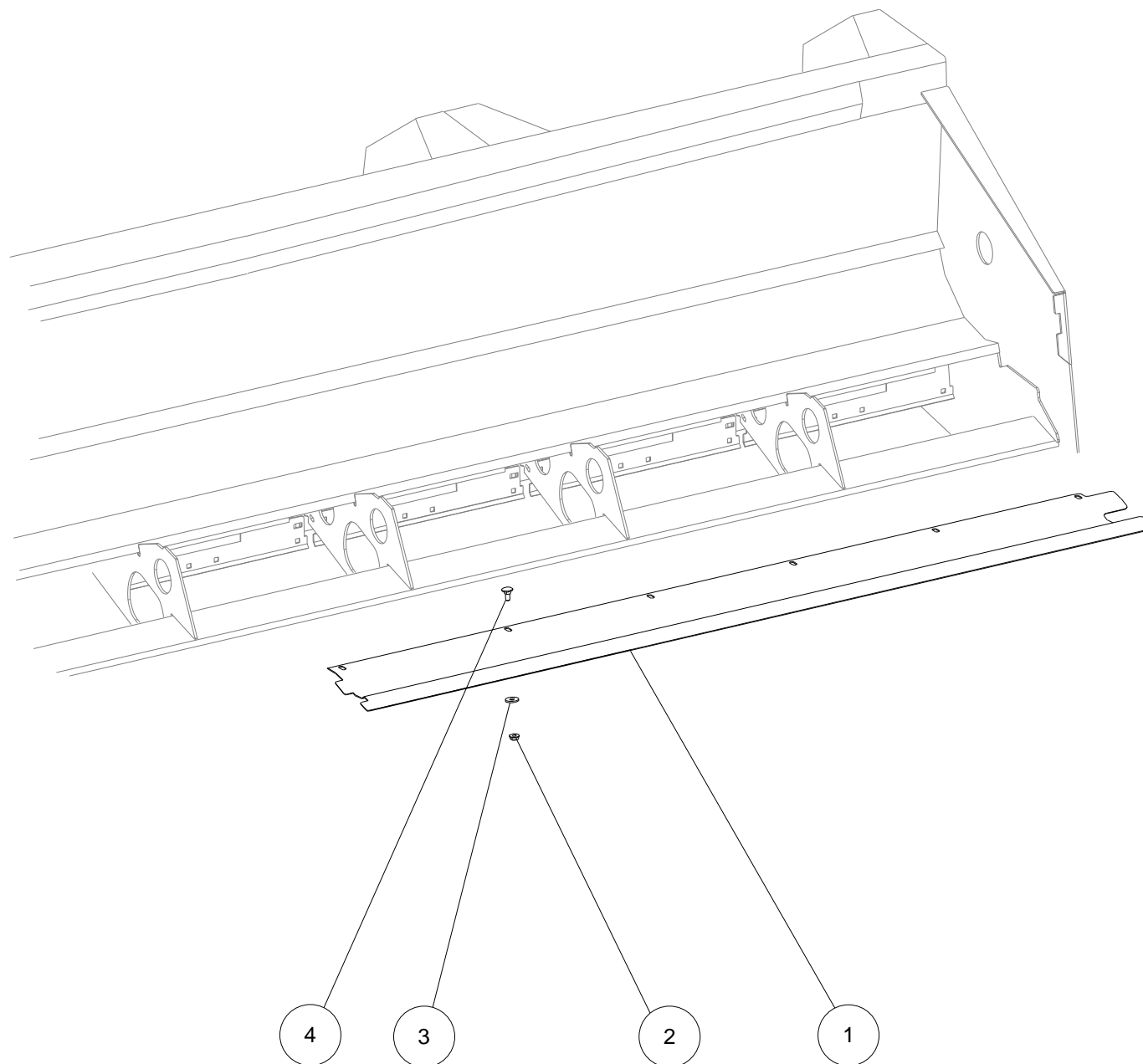
Pos	Code	Descrizione	Note	Description	Description	Beschreibung	Descripción
1	01.2717.00	LAMIERA RIPARO TRINCIASTOCCHI SINISTRA	LEFT	LEFT GUARD	GARANT GAUCHE	SCHUTZ LINKS	REPARO IZQUIERDO
1	01.2720.00	LAMIERA RIPARO TRINCIASTOCCHI DESTRA	RIGHT	RIGHT GUARD	GARANT DROITE	SCHUTZ RECHTS	REPARO DERECHO
2	PMF-000012	DADO TENSILOCK	M10	SECURING NUT TENSILOCK	ECROU TENSILOCK	SICHERUNGSMUTTER TENSILOCK	CONTRATUERCA TENSILOCK
3	PMF-000075	RONDELLA	10X30X2.5	WASHER	RONDELLE	SCHEIBE	ARANDELLA
4	PMF-000029	VITE TBQS	M10X25	COACH SCREW	VIS A TETE BOMBEE	FLACHRUNDSCHRAUBE	TORNILLO
5	01.2718.00	LAMIERA RIPARO TRINCIASTOCCHI CENTRALE SINISTR/	CX/LEFT	INNER-LEFT GUARD	GARANT CENTRE GAUCHE	SCHUTZ MITTE LINKS	REPARO CENTRO IZQUIERDO
5	01.2719.00	LAMIERA RIPARO TRINCIASTOCCHI CENTRALE DESTRA	CX/RIGHT	INNER-RIGHT GUARD	GARANT CENTRE DROITE	SCHUTZ MITTE RECHTS	REPARO CENTRO DERECHO



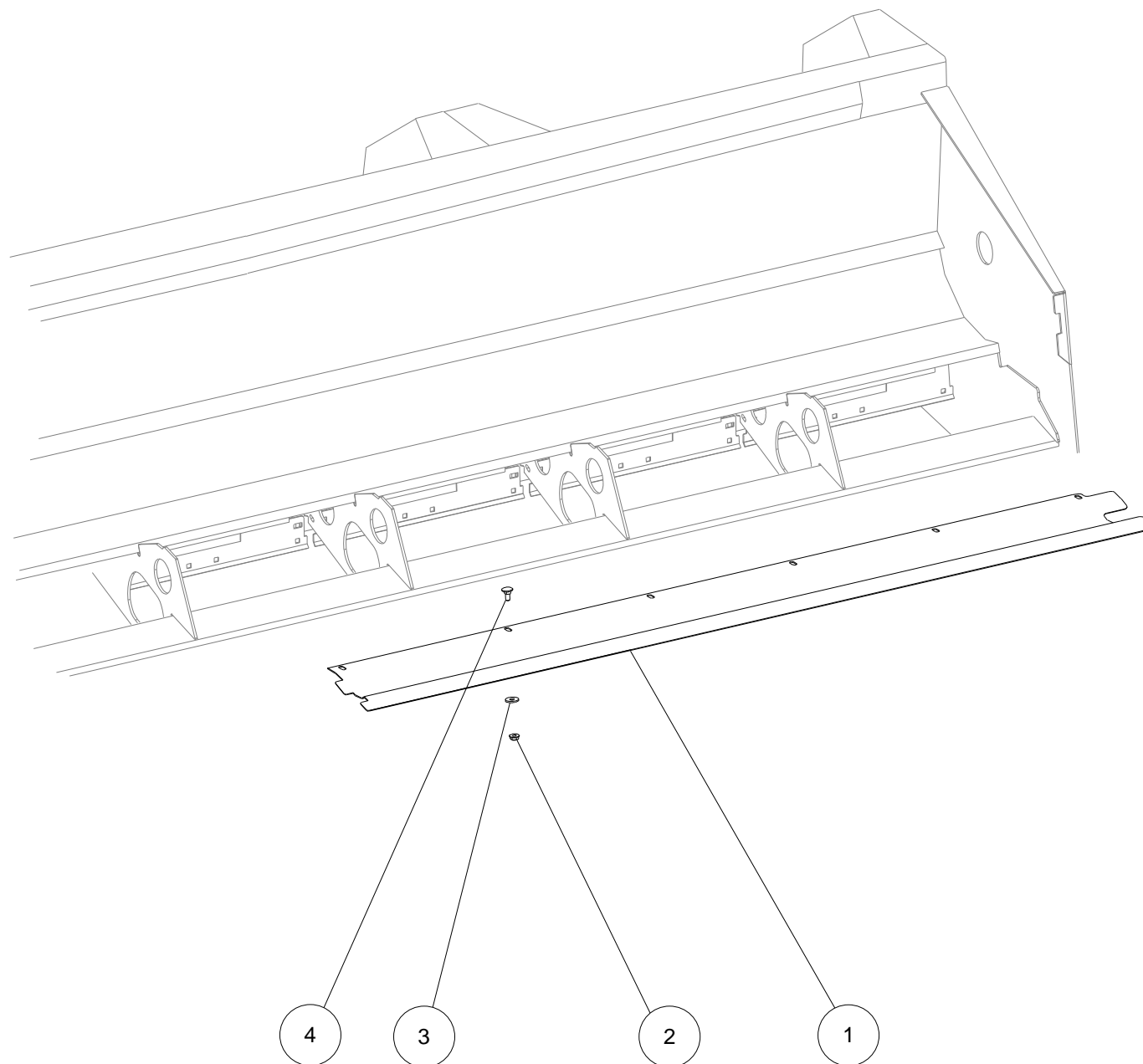
Pos	Code	Descrizione	Note	Description	Description	Beschreibung	Descripcìon
1	01.1998.00	LAMIERA RIPARO TRINCIASTOCCHI DESTRA	LEFT	RIGHT GUARD	GARANT DROITE	SCHUTZ RECHTS	REPARO DERECHO
1	01.1999.00	LAMIERA RIPARO TRINCIASTOCCHI SINISTRA	RIGHT	LEFT GUARD	GARANT GAUCHE	SCHUTZ LINKS	REPARO IZQUIERDO
2	PMF-000012	DADO TENSILOCK	M10	SECURING NUT TENSILOCK	ECROU TENSILOCK	SICHERUNGSMUTTER TENSILOCK	CONTRATUERCA TENSILOCK
3	PMF-000075	RONDELLA	10X30X2.5	WASHER	RONDELLE	SCHEIBE	ARANDELLA
4	PMF-000029	VITE TBQS	M10X25	COACH SCREW	VIS A TETE BOMBEE	FLACHRUNDSCHRAUBE	TORNILLO
5	01.2000.00	LAMIERA RIPARO TRINCIASTOCCHI CENTRALE DESTRA	CX/RIGHT	INNER-RIGHT GUARD	GARANT CENTRE DROITE	SCHUTZ MITTE RECHTS	REPARO CENTRO DERECHO
5	01.2001.00	LAMIERA RIPARO TRINCIASTOCCHI CENTRALE SINISTR/	CX/LEFT	INNER-LEFT GUARD	GARANT CENTRE GAUCHE	SCHUTZ MITTE LINKS	REPARO CENTRO IZQUIERDO



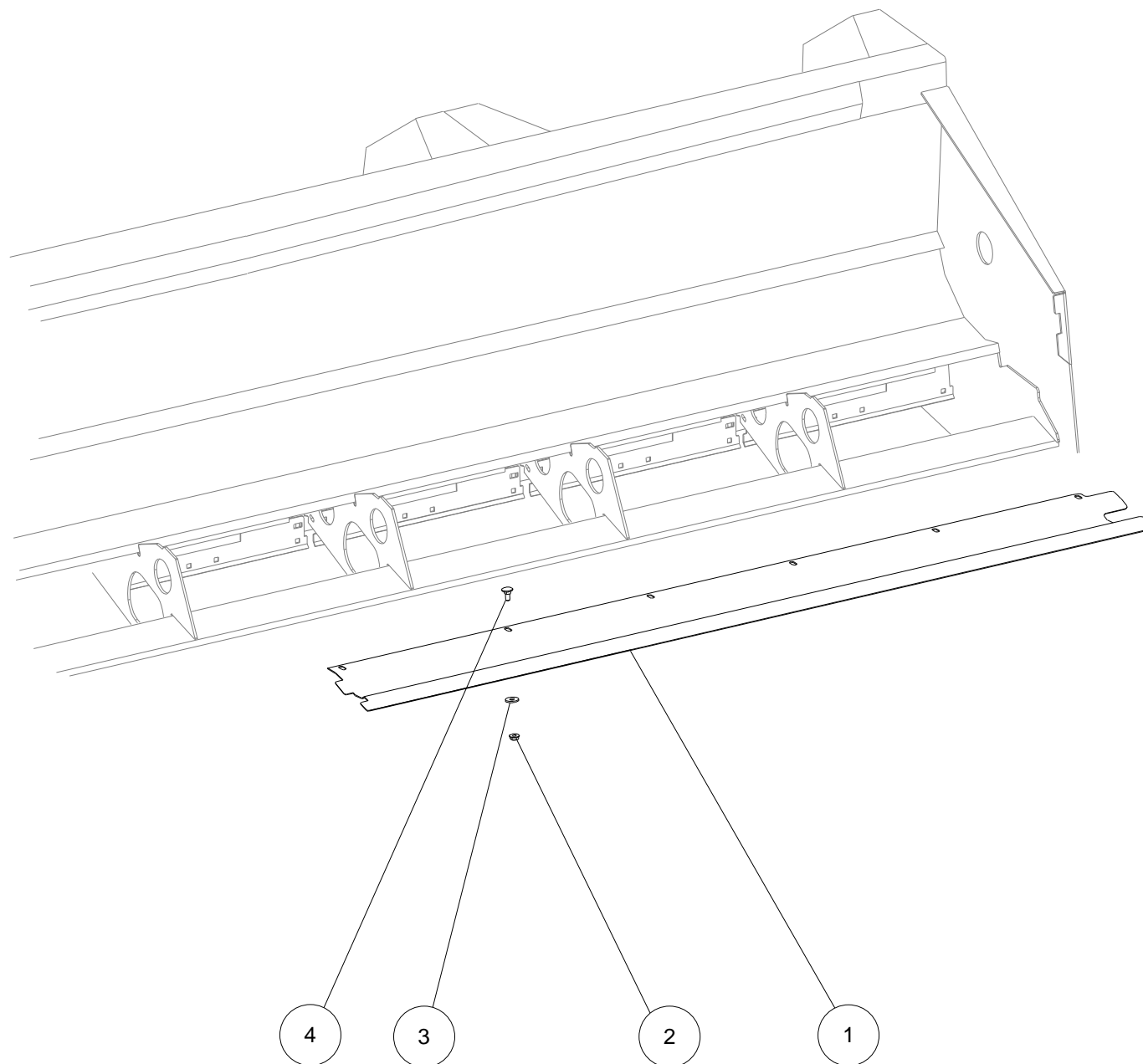
Pos	Code	Descrizione	Note	Description	Description	Beschreibung	Descripcìon
1	M1-10504	STRISCIA TENUTA		PLATE	PLAQUE	PLATTE	PLACA
2	PMF-000075	RONDELLA	10X30X2.5	WASHER	RONDELLE	SCHEIBE	ARANDELLA
3	PMF-000040	VITE TENSILOCK	M10X25	SECURING SCREW TENSILOCK	VIS TENSILOCK	SCHRAUBE TENSILOCK	TORNILLO TENSILOCK
4	01.2181.00	COPERTURA		COVER	COUVERTURE	DECKEL	COBERTURA
5	M1-10506	GOMMA		RUBBER	JOINT	GUMMIABDECKUNG	GOMA
6	PMF-000017	VITE TBQS	M8X20	COACH SCREW	VIS A TETE BOMBEE	FLACHRUNDSCHRAUBE	TORNILLO
7	M1-10507	STRISCIA TENUTA		PLATE	PLAQUE	PLATTE	PLACA



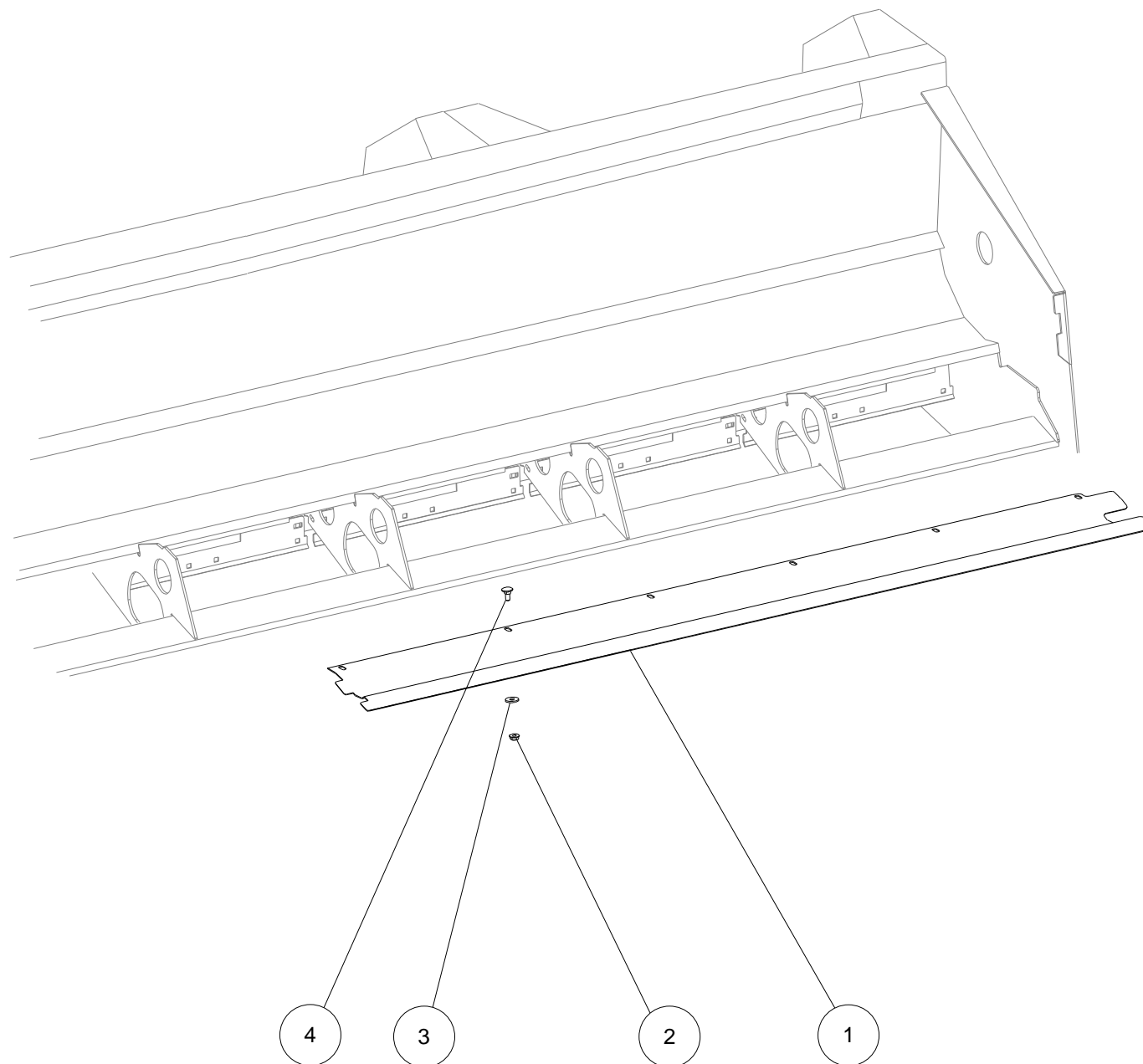
Pos	Code	Descrizione	Note	Description	Description	Beschreibung	Descripcìon
1	01.3066.00	LAMIERA ANTERIORE SINISTRA	LEFT	LEFT FLOOR PLATE	TOLE DE FOND GAUCHE	BODENBLECH LINKS	PLACA IZQUIERDA
1	01.3067.00	LAMIERA ANTERIORE DESTRA	RIGHT	RIGHT FLOOR PLATE	TOLE DE FOND DROITE	BODENBLECH RECHTS	PLACA DERECHA
2	PMF-000012	DADO TENSILOCK	M10	SECURING NUT TENSILOCK	ECROU TENSILOCK	SICHERUNGSMUTTER TENSILOCK	CONTRATUERCA TENSILOCK
3	M1-10267	RONDELLA	14.5X30X4	WASHER	RONDELLE	SCHEIBE	ARANDELLA
4	PMF-000029	VITE TBQS	M10X25	COACH SCREW	VIS A TETE BOMBEE	FLACHRUNDSCHRAUBE	TORNILLO



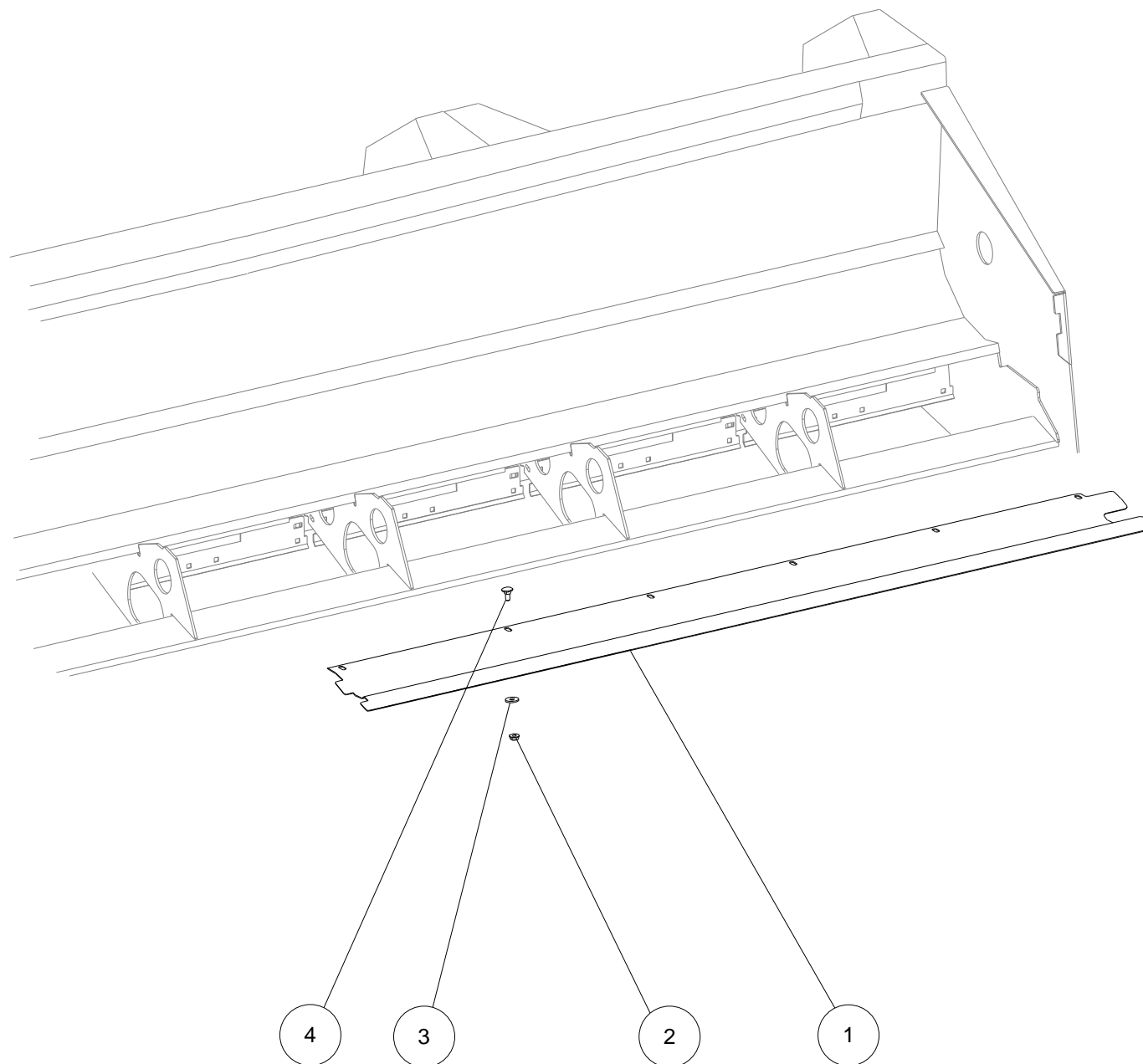
Pos	Code	Descrizione	Note	Description	Description	Beschreibung	Descripcìon
1	01.2682.00	LAMIERA ANTERIORE SINISTRA	LEFT	LEFT FLOOR PLATE	TOLE DE FOND GAUCHE	BODENBLECH LINKS	PLACA IZQUIERDA
1	01.2683.00	LAMIERA ANTERIORE DESTRA	RIGHT	RIGHT FLOOR PLATE	TOLE DE FOND DROITE	BODENBLECH RECHTS	PLACA DERECHA
2	PMF-000012	DADO TENSILOCK	M10	SECURING NUT TENSILOCK	ECROU TENSILOCK	SICHERUNGSMUTTER TENSILOCK	CONTRATUERCA TENSILOCK
3	PMF-000075	RONDELLA	10X30X2.5	WASHER	RONDELLE	SCHEIBE	ARANDELLA
4	PMF-000029	VITE TBQS	M10X25	COACH SCREW	VIS A TETE BOMBEE	FLACHRUNDSCHRAUBE	TORNILLO



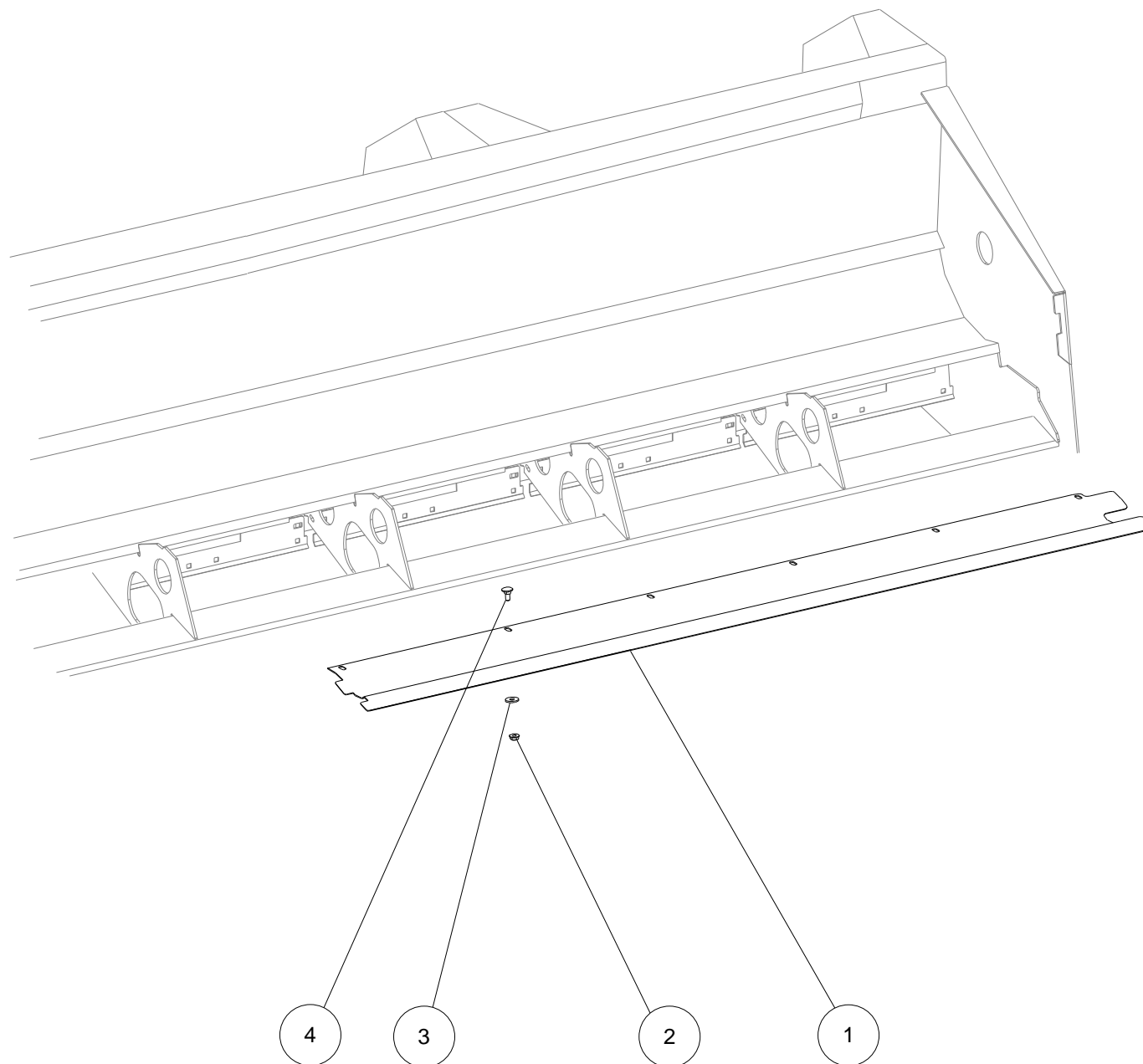
Pos	Code	Descrizione	Note	Description	Description	Beschreibung	Descripcìon
1	01.2347.00	LAMIERA ANTERIORE DESTRA	RIGHT	RIGHT FLOOR PLATE	TOLE DE FOND DROITE	BODENBLECH RECHTS	PLACA DERECHA
1	01.2348.00	LAMIERA ANTERIORE SINISTRA	LEFT	LEFT FLOOR PLATE	TOLE DE FOND GAUCHE	BODENBLECH LINKS	PLACA IZQUIERDA
2	PMF-000012	DADO TENSILOCK	M10	SECURING NUT TENSILOCK	ECROU TENSILOCK	SICHERUNGSMUTTER TENSILOCK	CONTRATUERCA TENSILOCK
3	M1-10267	RONDELLA	14.5X30X4	WASHER	RONDELLE	SCHEIBE	ARANDELLA
4	PMF-000029	VITE TBQS	M10X25	COACH SCREW	VIS A TETE BOMBEE	FLACHRUNDSCHRAUBE	TORNILLO



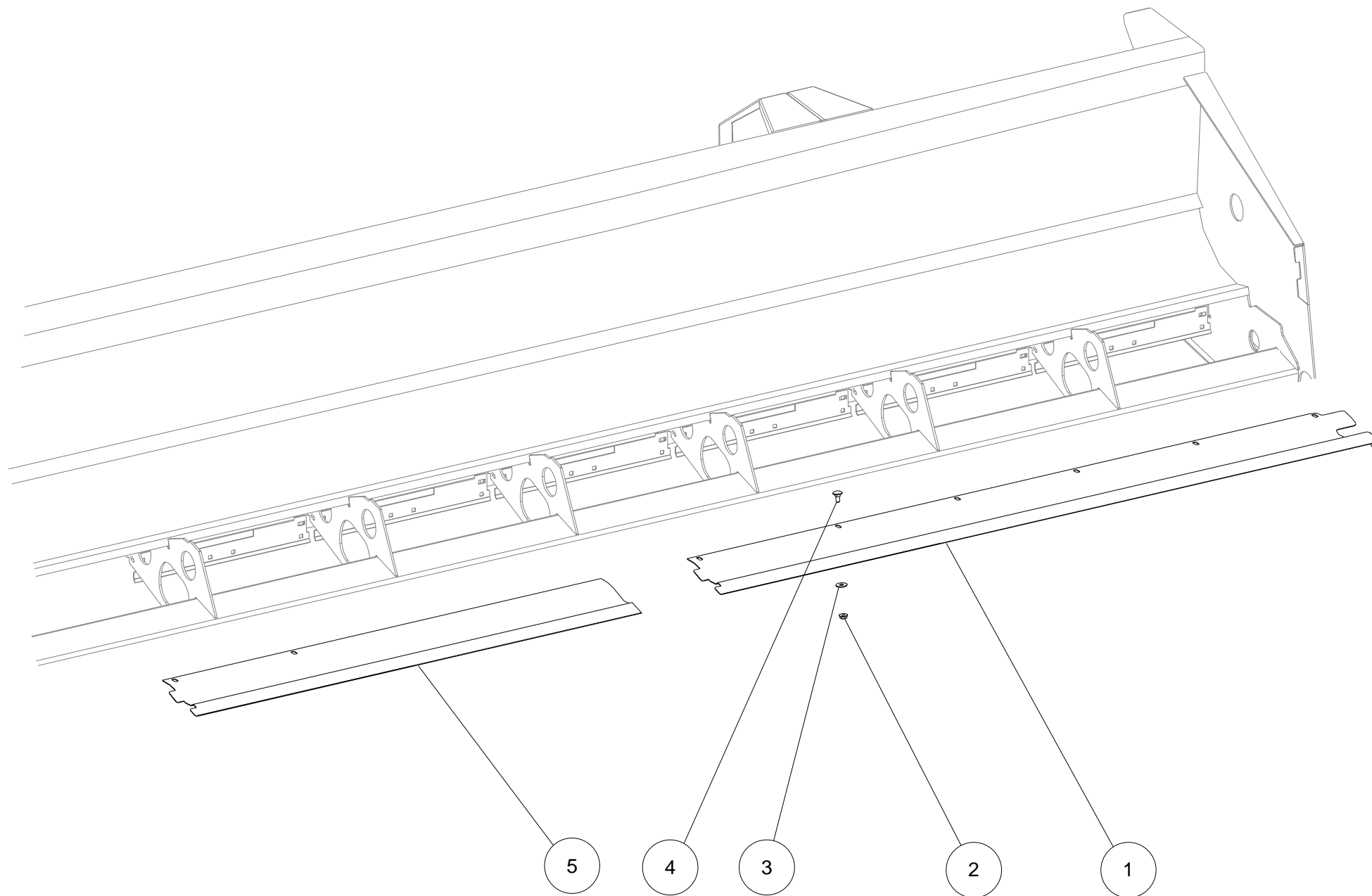
Pos	Code	Descrizione	Note	Description	Description	Beschreibung	Descripcìon
1	01.2343.00	LAMIERA ANTERIORE SINISTRA	LEFT	LEFT FLOOR PLATE	TOLE DE FOND GAUCHE	BODENBLECH LINKS	PLACA IZQUIERDA
1	01.2344.00	LAMIERA ANTERIORE DESTRA	RIGHT	RIGHT FLOOR PLATE	TOLE DE FOND DROITE	BODENBLECH RECHTS	PLACA DERECHA
2	PMF-000012	DADO TENSILOCK	M10	SECURING NUT TENSILOCK	ECROU TENSILOCK	SICHERUNGSMUTTER TENSILOCK	CONTRATUERCA TENSILOCK
3	M1-10267	RONDELLA	14.5X30X4	WASHER	RONDELLE	SCHEIBE	ARANDELLA
4	PMF-000029	VITE TBQS	M10X25	COACH SCREW	VIS A TETE BOMBEE	FLACHRUNDSCHRAUBE	TORNILLO



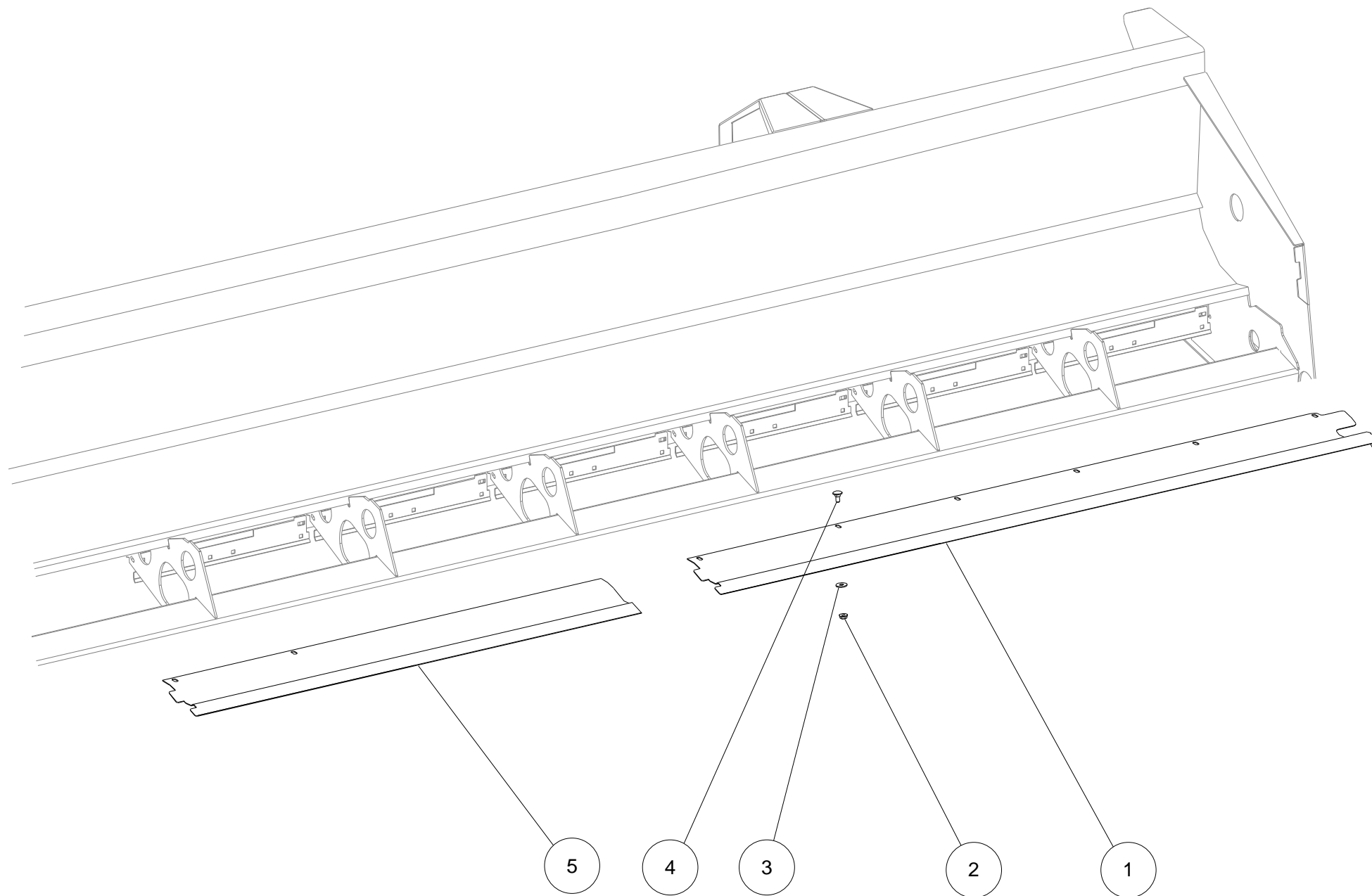
Pos	Code	Descrizione	Note	Description	Description	Beschreibung	Descripcìon
1	01.2369.00	LAMIERA ANTERIORE SINISTRA	LEFT	LEFT FLOOR PLATE	TOLE DE FOND GAUCHE	BODENBLECH LINKS	PLACA IZQUIERDA
1	01.2370.00	LAMIERA ANTERIORE DESTRA	RIGHT	RIGHT FLOOR PLATE	TOLE DE FOND DROITE	BODENBLECH RECHTS	PLACA DERECHA
2	PMF-000012	DADO TENSILOCK	M10	SECURING NUT TENSILOCK	ECROU TENSILOCK	SICHERUNGSMUTTER TENSILOCK	CONTRATUERCA TENSILOCK
3	M1-10267	RONDELLA	14.5X30X4	WASHER	RONDELLE	SCHEIBE	ARANDELLA
4	PMF-000029	VITE TBQS	M10X25	COACH SCREW	VIS A TETE BOMBEE	FLACHRUNDSCHRAUBE	TORNILLO



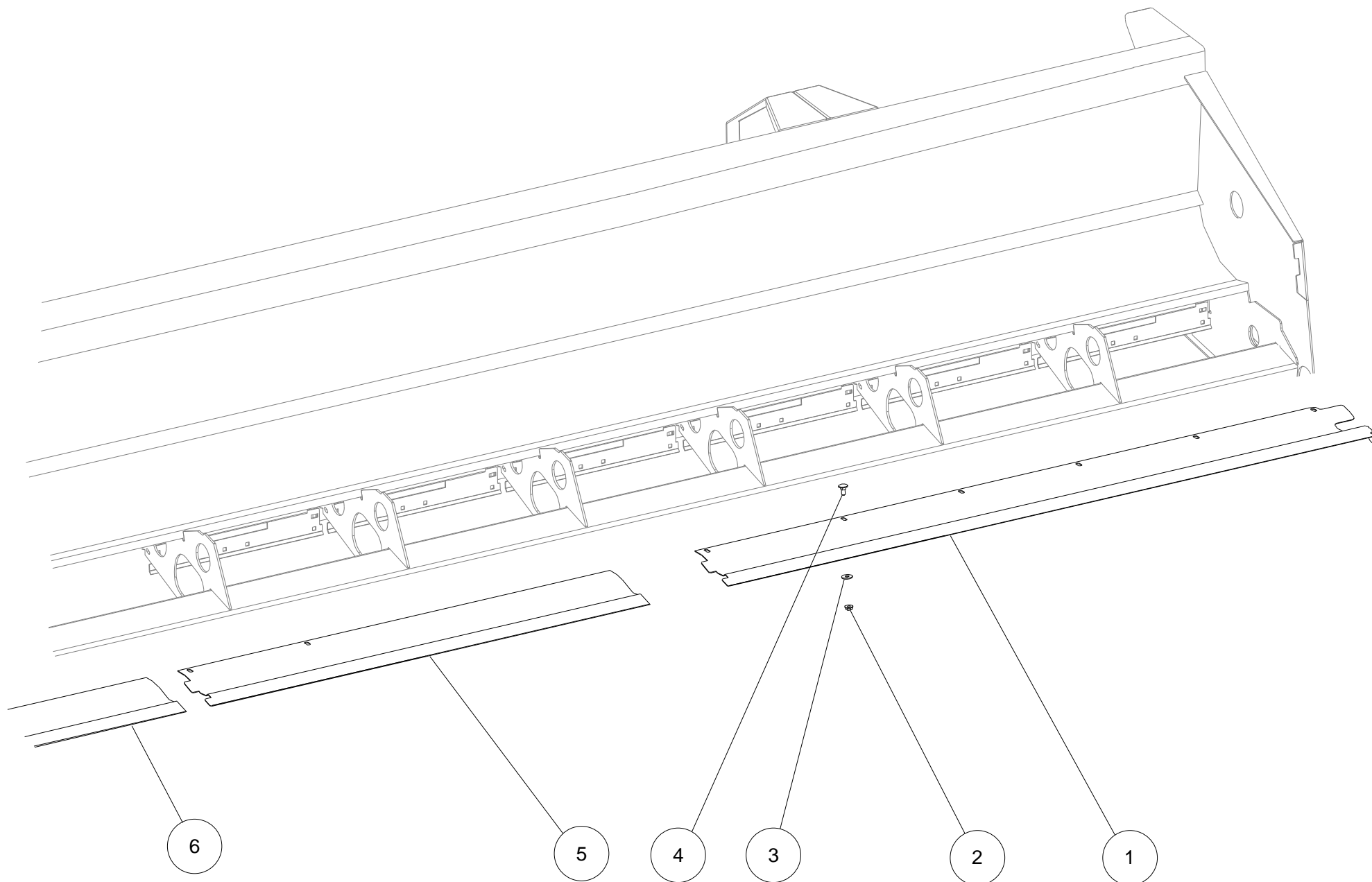
Pos	Code	Descrizione	Note	Description	Description	Beschreibung	Descripcìon
1	01.2002.00	LAMIERA ANTERIORE DESTRA	750-RIGHT	RIGHT FLOOR PLATE	TOLE DE FOND DROITE	BODENBLECH RECHTS	PLACA DERECHA
1	01.2003.00	LAMIERA ANTERIORE SINISTRA	750-LEFT	LEFT FLOOR PLATE	TOLE DE FOND GAUCHE	BODENBLECH LINKS	PLACA IZQUIERDA
1	01.2341.00	LAMIERA ANTERIORE SINISTRA	800-LEFT	LEFT FLOOR PLATE	TOLE DE FOND GAUCHE	BODENBLECH LINKS	PLACA IZQUIERDA
1	01.2342.00	LAMIERA ANTERIORE DESTRA	800-RIGHT	RIGHT FLOOR PLATE	TOLE DE FOND DROITE	BODENBLECH RECHTS	PLACA DERECHA
2	PMF-000012	DADO TENSILOCK	M10	SECURING NUT TENSILOCK	ECROU TENSILOCK	SICHERUNGSMUTTER TENSILOCK	CONTRATUERCA TENSILOCK
3	M1-10267	RONDELLA	14.5X30X4	WASHER	RONDELLE	SCHEIBE	ARANDELLA
4	PMF-000029	VITE TBQS	M10X25	COACH SCREW	VIS A TETE BOMBEE	FLACHRUNDSCHRAUBE	TORNILLO



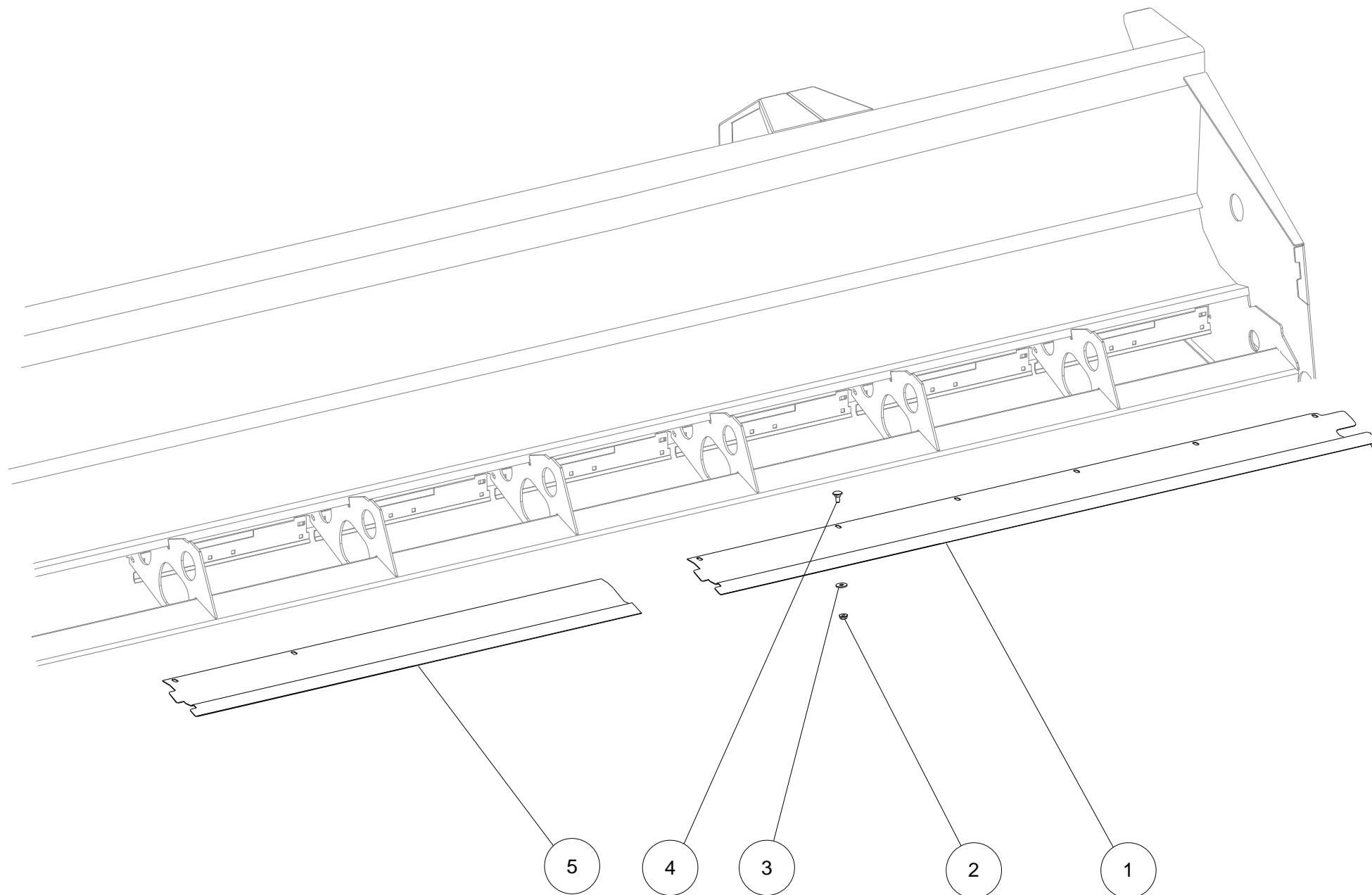
Pos	Code	Descrizione	Note	Description	Description	Beschreibung	Descripcìon
1	01.2350.00	LAMIERA ANTERIORE SINISTRA	LEFT	LEFT FLOOR PLATE	TOLE DE FOND GAUCHE	BODENBLECH LINKS	PLACA IZQUIERDA
1	01.2351.00	LAMIERA ANTERIORE DESTRA	RIGHT	RIGHT FLOOR PLATE	TOLE DE FOND DROITE	BODENBLECH RECHTS	PLACA DERECHA
2	PMF-000012	DADO TENSILOCK	M10	SECURING NUT TENSILOCK	ECROU TENSILOCK	SICHERUNGSMUTTER TENSILOCK	CONTRATUERCA TENSILOCK
3	M1-10267	RONDELLA	14.5X30X4	WASHER	RONDELLE	SCHEIBE	ARANDELLA
4	PMF-000029	VITE TBQS	M10X25	COACH SCREW	VIS A TETE BOMBEE	FLACHRUNDSCHRAUBE	TORNILLO
5	01.2352.00	LAMIERA ANTERIORE CENTRALE	CX	MIDDLE FLOOR PLATE	TOLE DE FOND CENTRALE	BODENBLECH MITTE	PLACA CENTRAL



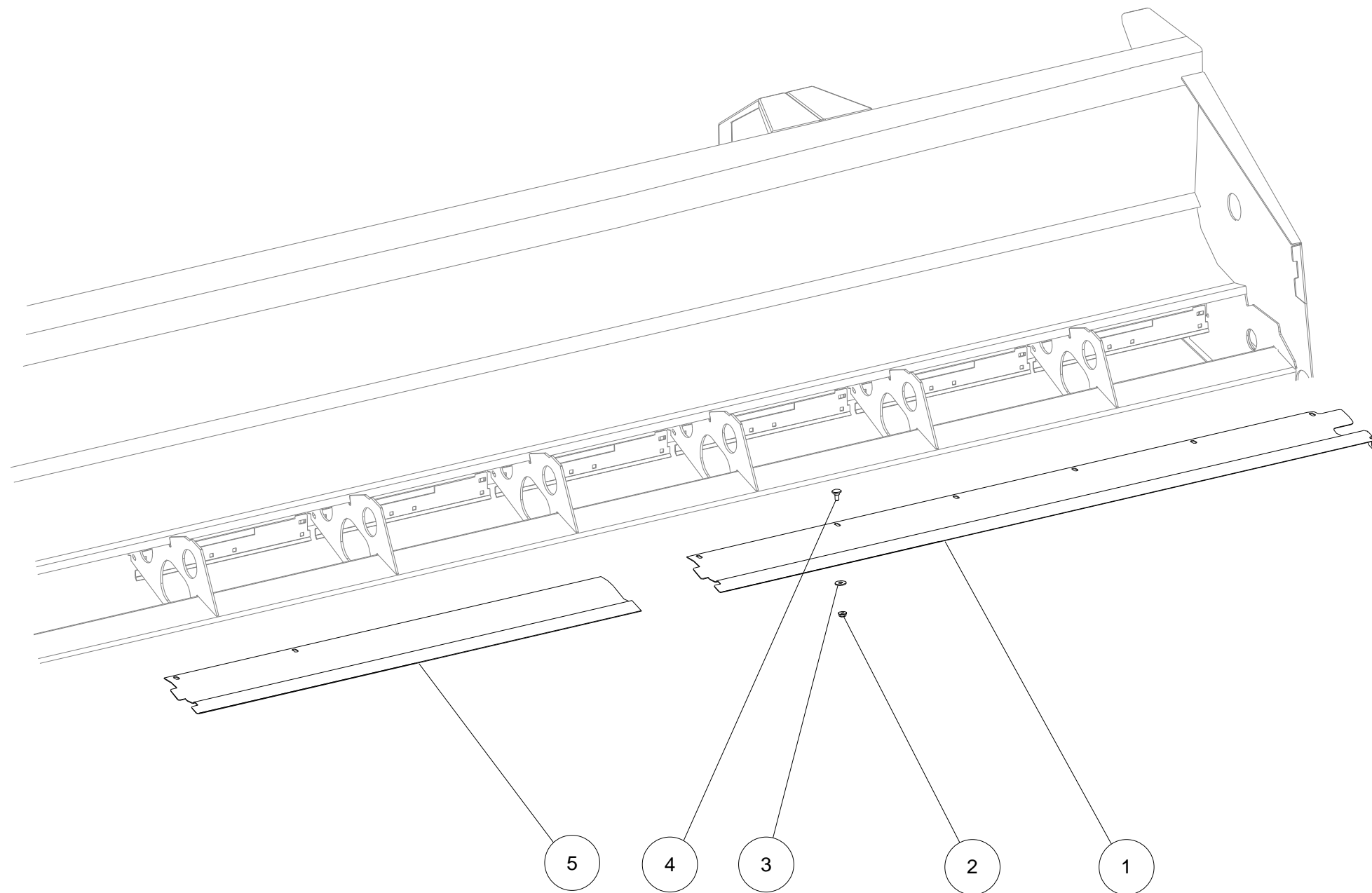
Pos	Code	Descrizione	Note	Description	Description	Beschreibung	Descripcìon
1	01.2004.00	LAMIERA ANTERIORE DESTRA	750-RIGHT	RIGHT FLOOR PLATE	TOLE DE FOND DROITE	BODENBLECH RECHTS	PLACA DERECHA
1	01.2005.00	LAMIERA ANTERIORE SINISTRA	750-LEFT	LEFT FLOOR PLATE	TOLE DE FOND GAUCHE	BODENBLECH LINKS	PLACA IZQUIERDA
1	01.2397.00	LAMIERA ANTERIORE DESTRA	800-RIGHT	RIGHT FLOOR PLATE	TOLE DE FOND DROITE	BODENBLECH RECHTS	PLACA DERECHA
1	01.2398.00	LAMIERA ANTERIORE SINISTRA	800-LEFT	LEFT FLOOR PLATE	TOLE DE FOND GAUCHE	BODENBLECH LINKS	PLACA IZQUIERDA
2	PMF-000012	DADO TENSILOCK	M10	SECURING NUT TENSILOCK	ECROU TENSILOCK	SICHERUNGSMUTTER TENSILOCK	CONTRATUERCA TENSILOCK
3	M1-10267	RONDELLA	14.5X30X4	WASHER	RONDELLE	SCHEIBE	ARANDELLA
4	PMF-000029	VITE TBQS	M10X25	COACH SCREW	VIS A TETE BOMBEE	FLACHRUNDSCHRAUBE	TORNILLO
5	01.2006.00	LAMIERA ANTERIORE CENTRALE	750-CX	MIDDLE FLOOR PLATE	TOLE DE FOND CENTRE	BODENBLECH MITTE	PLACA CENTRO
5	01.2399.00	LAMIERA ANTERIORE CENTRALE	800-CX	MIDDLE FLOOR PLATE	TOLE DE FOND CENTRALE	BODENBLECH MITTE	PLACA CENTRAL



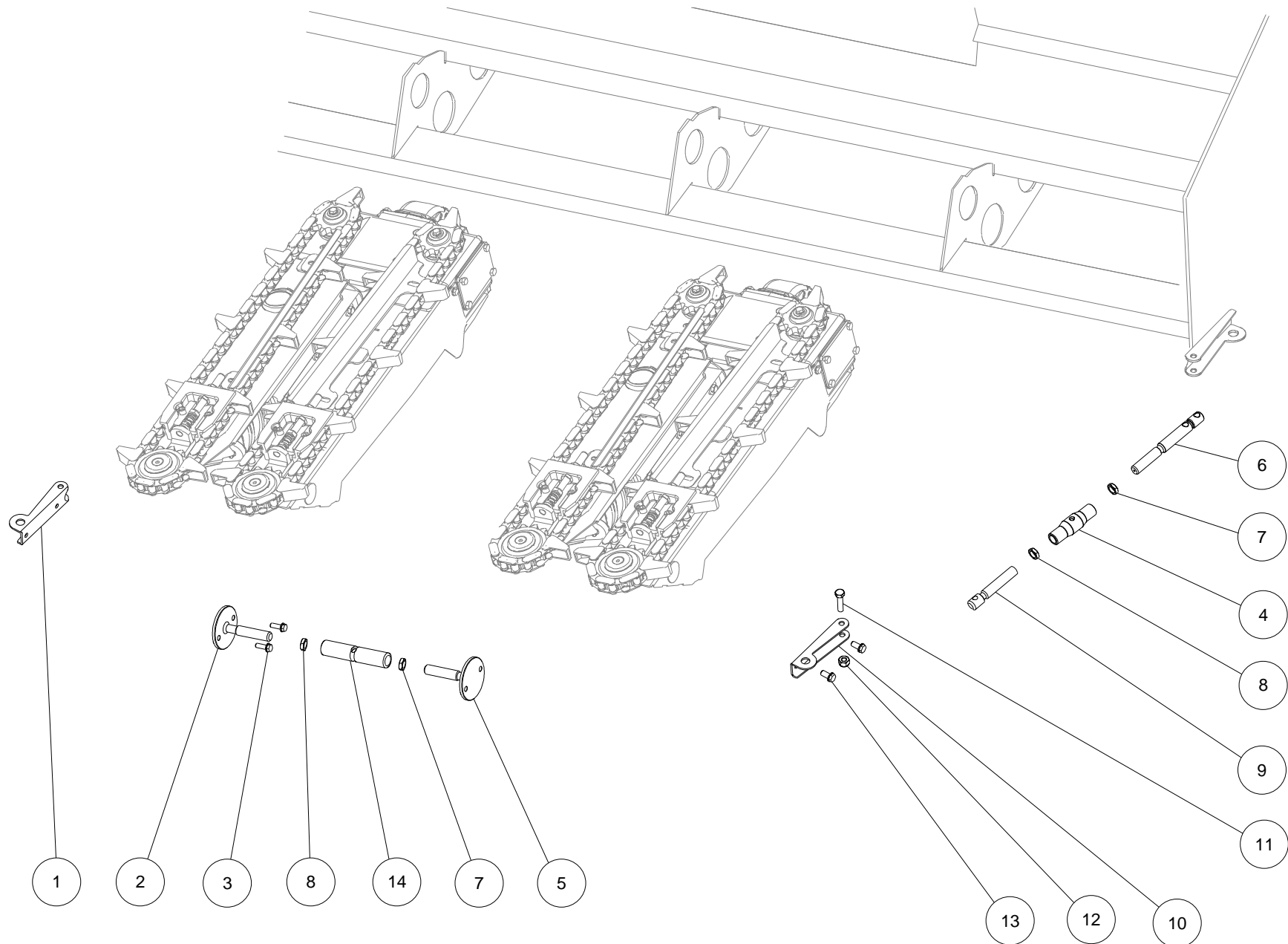
Pos	Code	Descrizione	Note	Description	Description	Beschreibung	Descripcìon
1	01.2712.00	LAMIERA ANTERIORE SINISTRA	LEFT	LEFT FLOOR PLATE	TOLE DE FOND GAUCHE	BODENBLECH LINKS	PLACA IZQUIERDA
1	01.2713.00	LAMIERA ANTERIORE DESTRA	RIGHT	RIGHT FLOOR PLATE	TOLE DE FOND DROITE	BODENBLECH RECHTS	PLACA DERECHA
2	PMF-000012	DADO TENSILOCK	M10	SECURING NUT TENSILOCK	ECROU TENSILOCK	SICHERUNGSMUTTER TENSILOCK	CONTRATUERCA TENSILOCK
3	M1-10267	RONDELLA	14.5X30X4	WASHER	RONDELLE	SCHEIBE	ARANDELLA
4	PMF-000029	VITE TBQS	M10X25	COACH SCREW	VIS A TETE BOMBEE	FLACHRUNDSCHRAUBE	TORNILLO
5	01.2710.00	LAMIERA ANTERIORE CENTRALE SINISTRA	CX/LEFT	MIDDLE LEFT FLOOR PLATE	TOLE DE FOND CENTRALE-GAUCHE	BODENBLECH MITTE LINKS	PLACA CENTRAL-IZQUIERDA
5	01.2711.00	LAMIERA ANTERIORE CENTRALE DESTRA	CX/RIGHT	MIDDLE RIGHT FLOOR PLATE	TOLE DE FOND CENTRALE-DROITE	BODENBLECH MITTE RECHTS	PLACA CENTRAL-DERECHA
6	01.2772.00	LAMIERA ANTERIORE CENTRALE	CX	MIDDLE FLOOR PLATE	TOLE DE FOND CENTRALE	BODENBLECH MITTE	PLACA CENTRAL



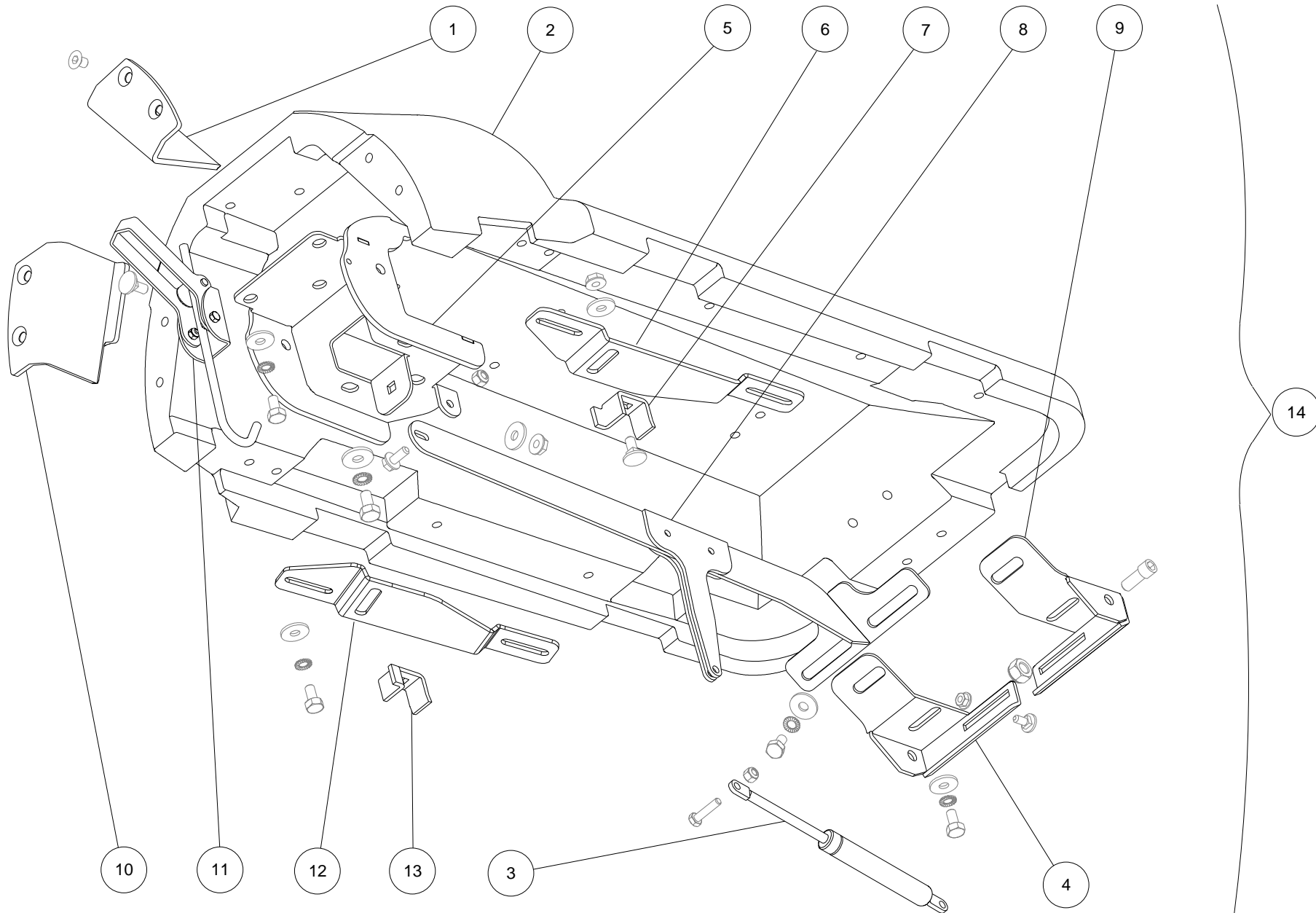
Pos	Code	Descrizione	Note	Description	Description	Beschreibung	Descripcìon
1	01.2426.00	LAMIERA ANTERIORE SINISTRA	LEFT	LEFT FLOOR PLATE	TOLE DE FOND GAUCHE	BODENBLECH LINKS	PLACA IZQUIERDA
1	01.2427.00	LAMIERA ANTERIORE DESTRA	RIGHT	RIGHT FLOOR PLATE	TOLE DE FOND DROITE	BODENBLECH RECHTS	PLACA DERECHA
2	PMF-000012	DADO TENSILOCK	M10	SECURING NUT TENSILOCK	ECROU TENSILOCK	SICHERUNGSMUTTER TENSILOCK	CONTRATUERCA TENSILOCK
3	M1-10267	RONDELLA	14.5X30X4	WASHER	RONDELLE	SCHEIBE	ARANDELLA
4	PMF-000029	VITE TBQS	M10X25	COACH SCREW	VIS A TETE BOMBEE	FLACHRUNDSCHRAUBE	TORNILLO
5	01.2428.00	LAMIERA ANTERIORE CENTRALE DESTRA	CX/RIGHT	MIDDLE RIGHT FLOOR PLATE	TOLE DE FOND CENTRALE-DROITE	BODENBLECH MITTE RECHTS	PLACA CENTRAL-DERECHA
5	01.2429.00	LAMIERA ANTERIORE CENTRALE SINISTRA	CX/LEFT	MIDDLE LEFT FLOOR PLATE	TOLE DE FOND CENTRALE-GAUCHE	BODENBLECH MITTE LINKS	PLACA CENTRAL-IZQUIERDA



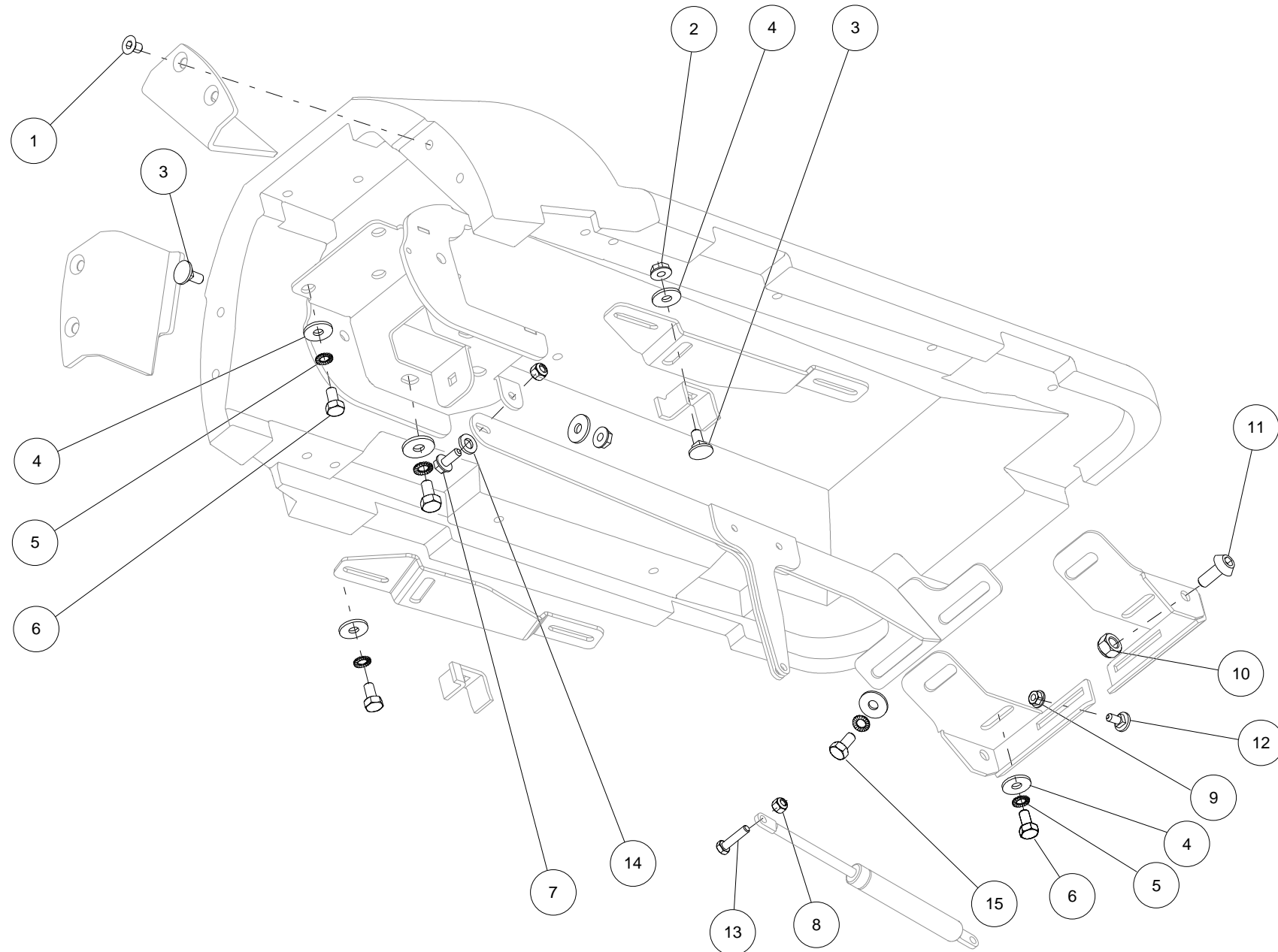
Pos	Code	Descrizione	Note	Description	Description	Beschreibung	Descripcìon
1	01.2010.00	LAMIERA ANTERIORE DESTRA	RIGHT	RIGHT FLOOR PLATE	TOLE DE FOND DROITE	BODENBLECH RECHTS	PLACA DERECHA
1	01.2011.00	LAMIERA ANTERIORE SINISTRA	LEFT	LEFT FLOOR PLATE	TOLE DE FOND GAUCHE	BODENBLECH LINKS	PLACA IZQUIERDA
2	PMF-000012	DADO TENSILOCK	M10	SECURING NUT TENSILOCK	ECROU TENSILOCK	SICHERUNGSMUTTER TENSILOCK	CONTRATUERCA TENSILOCK
3	M1-10267	RONDELLA	14.5X30X4	WASHER	RONDELLE	SCHEIBE	ARANDELLA
4	PMF-000029	VITE TBQS	M10X25	COACH SCREW	VIS A TETE BOMBEE	FLACHRUNDSCHRAUBE	TORNILLO
5	01.2012.00	LAMIERA ANTERIORE CENTRALE DESTRA	CX/RIGHT	MIDDLE RIGHT FLOOR PLATE	TOLE DE FOND CENTRALE-DROITE	BODENBLECH MITTE RECHTS	PLACA CENTRAL-DERECHA
5	01.2013.00	LAMIERA ANTERIORE CENTRALE SINISTRA	CX/LEFT	MIDDLE LEFT FLOOR PLATE	TOLE DE FOND CENTRALE-GAUCHE	BODENBLECH MITTE LINKS	PLACA CENTRAL-IZQUIERDA



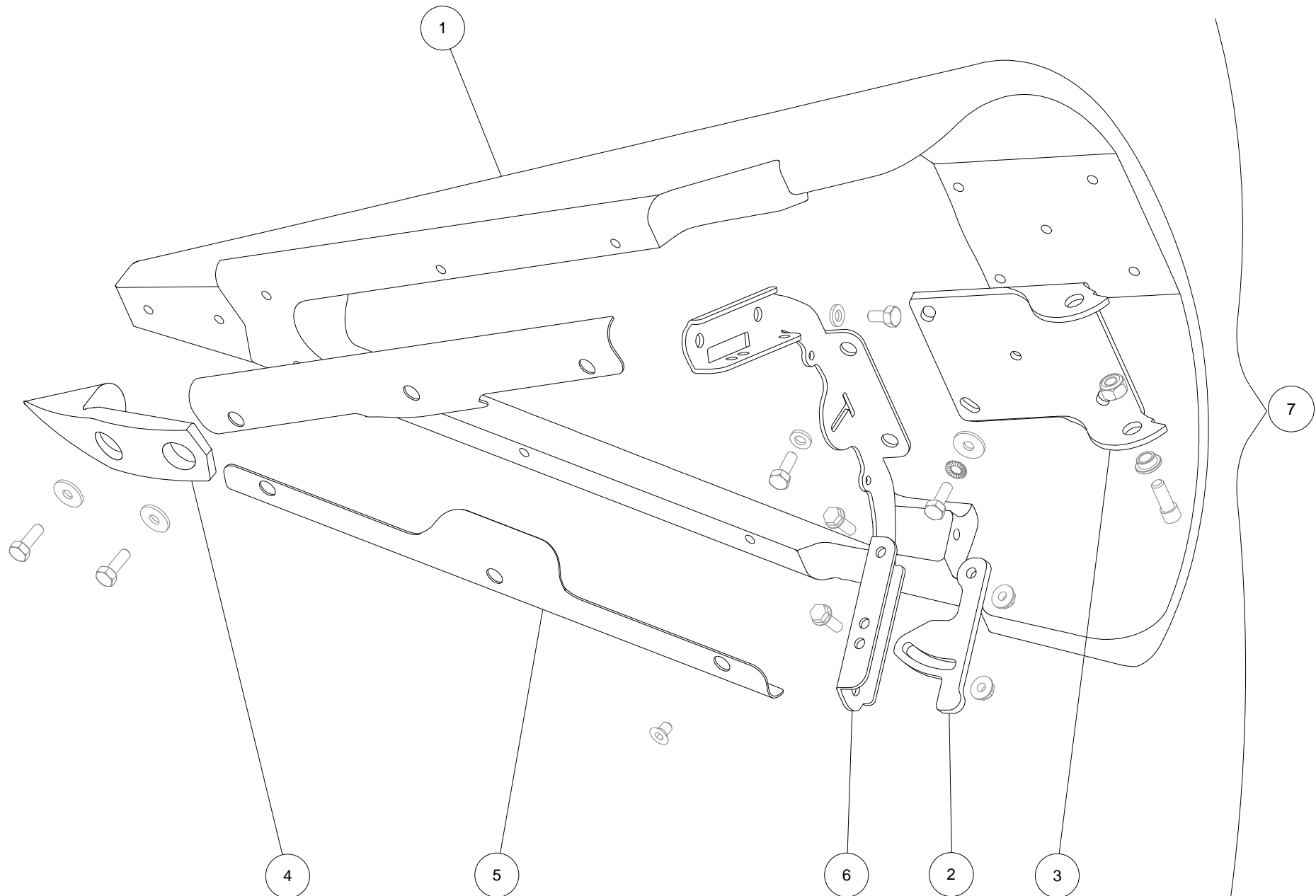
Pos	Code	Descrizione	Note	Description	Description	Beschreibung	Descripcìon
1	03.2100.00	STAFFA DESTRA		RIGHT SUPPORT	SUPPORT DROITE	BUEGEL RECHTS	SOPORTE DERECHO
2	01.0143.00	TIRANTE DESTRO		RIGHT SPINDLE	BROCHE DOITE	STANGE RECHTS	TIRANTE DERECHO
3	PMF-000064	VITE TENSILOCK	M10X20	SCREW TENSILOCK	VIS TENSILOCK	SCHRAUBE TENSILOCK	TORNILLO TENSILOCK
4	03.2076.00	BARILOTTO		BUSHING	DOUILLE	BÜCHSE	HEVILLA
5	01.0142.00	TIRANTE SINISTRO		LEFT SPINDLE	BROCHE GAUCHE	STANGE LINKS	TORNILLO IZQUIERDO
6	01.1003.00	TIRANTE		ROD	TIRANT	STANGE	TIRANDO
7	PMF-000384	DADO	M 22 SX	HEXAGONAL NUT	ECROU SIX PANS	SICHERUNGSMUTTER	CONTRATUERCA
8	PMF-000385	DADO	M 22 DX	HEXAGONAL NUT	ECROU SIX PANS	SICHERUNGSMUTTER	CONTRATUERCA
9	01.1004.00	TIRANTE		ROD	TIRANT	STANGE	TIRANDO
10	03.2101.00	STAFFA SINISTRA		LEFT SUPPORT	SUPPORT GAUCHE	BUEGEL LINKS	SOPORTE IZQUIERDO
11	PMF-000037	VITE TE	M12X50	HEXAGONAL SCREW	VIS SIX PANS	SECHSKANTSCHRAUBE	TORNILLO
12	PMF-000024	DADO AUTOBLOCCANTE	M12	SECURING NUT	ECROU INDESSERRAB	SICHERUNGSMUTTER	CONTRATUERCA
13	PMF-000064	VITE TENSILOCK	M10X20	SCREW TENSILOCK	VIS TENSILOCK	SCHRAUBE TENSILOCK	TORNILLO TENSILOCK
14	03.2004.02	BARILOTTO		BUSHING	DOUILLE	BÜCHSE	HEVILLA



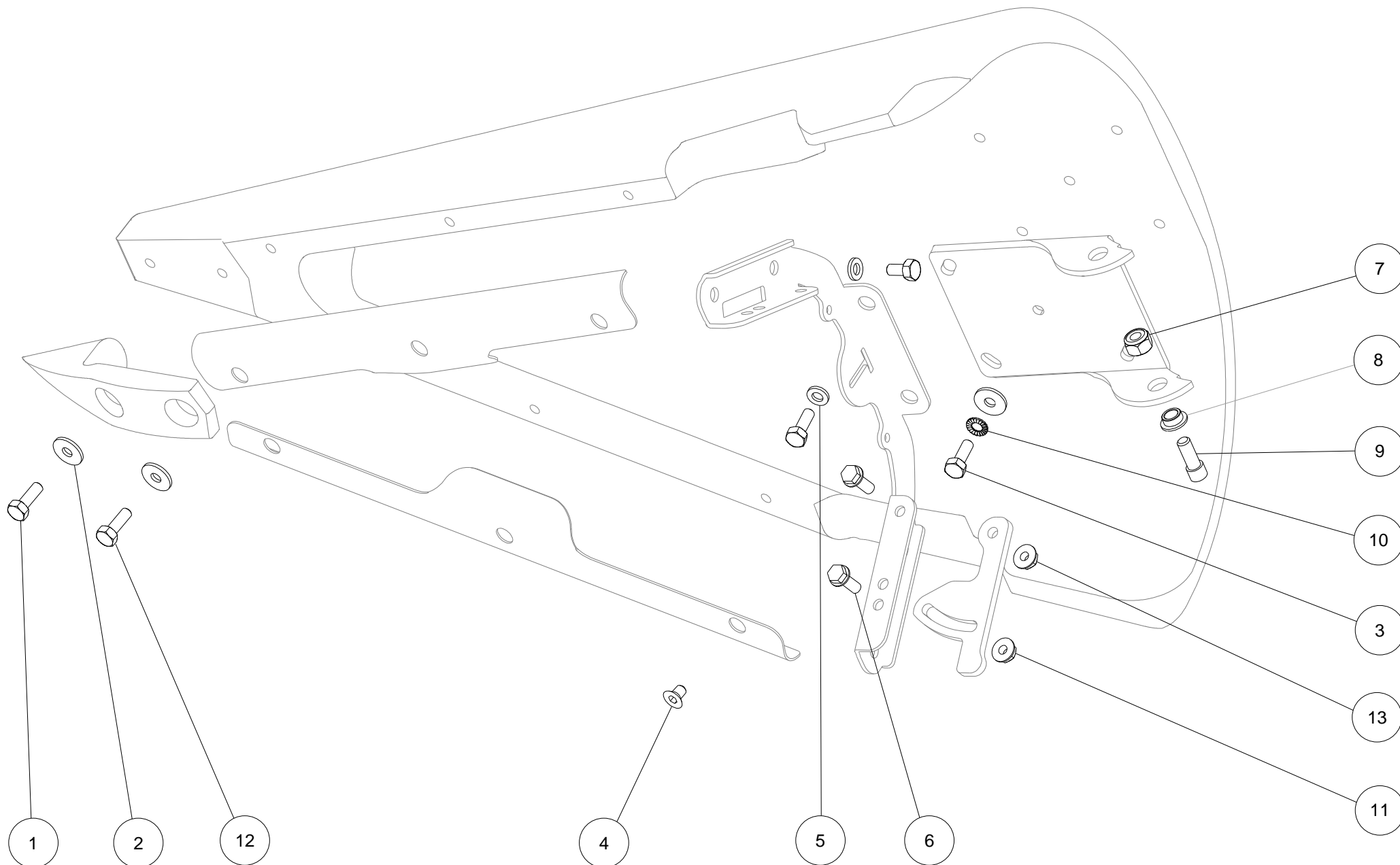
Pos	Code	Descrizione	Note	Description	Description	Beschreibung	Descripcìon
1	01.0966.01	PIASTRA SINISTRA BATTUTAPUNTA		LEFT PLATE	PLAQUE GAUCHE	PLATTE LINKS	PLACA IZQUIERDA
2	03.4105.00-R	COFANO CENTRALE	750	CENTRAL BONNET	TOLE DE DIVISEUR CENTRAL	VERKLEIDUNG MITTE	TAPA CENTRAL
2	03.4106.00-R	COFANO CENTRALE	700	CENTRAL BONNET	TOLE DE DIVISEUR CENTRAL	VERKLEIDUNG MITTE	TAPA CENTRAL
2	03.4107.00-R	COFANO CENTRALE	800	CENTRAL BONNET	TOLE DE DIVISEUR CENTRAL	VERKLEIDUNG MITTE	TAPA CENTRAL
3	PMS-000018	PISTONE A GAS		GAS SPRING	GAS RESSORT	GASKOLBENS	RESORTES GAS
4	01.0948.00	CERNIERA DESTRA	800	RIGHT HINGE	CHARNIERE DROITE	SCHARNIER RECHTS	BISEGRA DERECHA
4	01.0959.00	CERNIERA DESTRA	700/750	RIGHT HINGE	CHARNIERE DROITE	SCHARNIER RECHTS	BISEGRA DERECHA
5	01.0957.00	CERNIERA		HINGE	CHARNIERE	SCHARNIER	BISAGRA
6	01.0963.01	PIASTRA SINISTRA		LEFT PLATE	PLAQUE GAUCHE	PLATTE LINKS	PLACA IZQUIERDA
7	01.0762.00	SUPPORTO SINISTRO		LEFT SUPPORT	SUPPORT GAUCHE	BUGELHALTER LINKS	SOPORTE IZQUIERDO
8	03.4360.01	SUPPORTO		SUPPORT	SUPPORT	ABSTUZUNG	SOPORTE
9	01.0947.00	CERNIERA SINISTRA	800	LEFT HINGE	CHARNIERE GAUCHE	SCHARNIER LINKS	BISAGRA IZQUIERDA
9	01.0960.00	CERNIERA SINISTRA	700/750	LEFT HINGE	CHARNIERE GAUCHE	SCHARNIER LINKS	BISAGRA IZQUIERDA
10	01.0965.01	PIASTRA DESTRA BATTUTA PUNTA		RIGHT PLATE	PLAQUE DROITE	PLATTE RECHTS	PLACA DERECHA
11	01.0108.01	STAFFA		BRACKET	SUPPORT	BUEGEL	SOPORTE
12	01.0964.01	PIASTRA DESTRA		RIGHT PLATE	PLAQUE DROITE	PLATTE RECHTS	PLACA DERECHA
13	01.0761.00	SUPPORTO DESTRO		RIGHT SUPPORT	SUPPORT DROITE	BUGELHALTER RECHTS	SOPORTE DERECHO
14	01.1163.01-R	COFANO CENTRALE COMPLETO	750	CENTRAL BONNET COMPLETE	TOLE DE DIVISEUR CENTRAL COMPLETE	VERKLEIDUNG MITTE KOMPLETT	TAPA CENTRAL COMPLETA
14	01.1164.01-R	COFANO CENTRALE COMPLETO	700	CENTRAL BONNET COMPLETE	TOLE DE DIVISEUR CENTRAL COMPLETE	VERKLEIDUNG MITTE KOMPLETT	TAPA CENTRAL COMPLETA
14	01.1165.01-R	COFANO CENTRALE COMPLETO	800	CENTRAL BONNET COMPLETE	TOLE DE DIVISEUR CENTRAL COMPLETE	VERKLEIDUNG MITTE KOMPLETT	TAPA CENTRAL COMPLETA



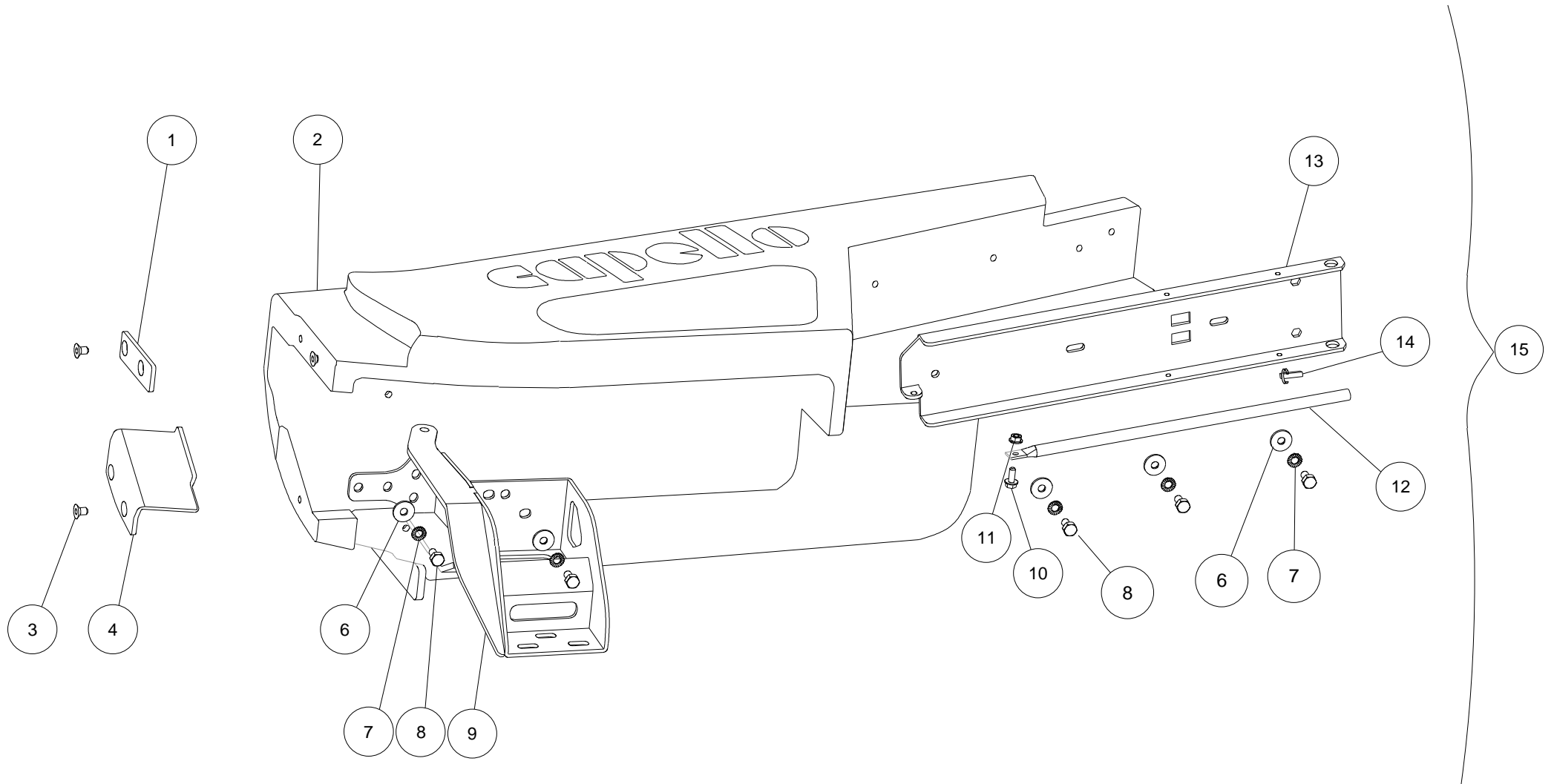
Pos	Code	Descrizione	Note	Description	Description	Beschreibung	Descripcìon
1	PMF-000135	VITE TSEI	M10X20	COUNTERSUNK SCREW	VIS A TETE FRAISEE	SENKSCRAUBE	TORNILLO
2	PMF-000012	DADO TENSILOCK	M10	SECURING NUT TENSILOCK	ECROU TENSILOCK	SICHERUNGSMUTTER TENSILOCK	CONTRATUERCA TENSILOCK
3	PMF-000029	VITE TBQS	M10X25	COACH SCREW	VIS A TETE BOMBEE	FLACHRUNDSCHRAUBE	TORNILLO
4	PMF-000075	RONDELLA	10X30X2.5	WASHER	RONDELLE	SCHEIBE	ARANDELLA
5	PMF-000391	RONDELLA	10X18	WASHER	RONDELLE	SCHEIBE	ARANDELLA
6	PMF-000134	VITE TE	M10X20	HEXAGONAL SCREW	VIS SIX PANS	SECHSKANTSCHRAUBE	TORNILLO
7	PMF-000147	VITE TE	M8X20	HEXAGONAL SCREW	VIS SIX PANS	SECHSKANTSCHRAUBE	TORNILLO
8	PMF-000026	DADO AUTOBLOCCANTE	M8	SECURING NUT	ECROU INDESSERRAB	SICHERUNGSMUTTER	CONTRATUERCA
9	PMF-000016	DADO TENSILOCK	M8	SECURING NUT TENSILOCK	ECROU TENSILOCK	SICHERUNGSMUTTER TENSILOCK	CONTRATUERCA TENSILOCK
10	PMF-000414	DADO AUTOBLOCCANTE	M12	SECURING NUT	ECROU INDESSERRAB	SICHERUNGSMUTTER	CONTRATUERCA
11	PMF-000407	VITE TBEI	M12X30	COACH SCREW	VIS A TETE BOMBEE	FLACHRUNDSCHRAUBE	TORNILLO
12	PMF-000017	VITE TBQS	M8X20	COACH SCREW	VIS A TETE BOMBEE	FLACHRUNDSCHRAUBE	TORNILLO
13	PMF-000602	VITE TE	M8X30	HEXAGONAL SCREW	VIS SIX PANS	SECHSKANTSCHRAUBE	TORNILLO
14	PMF-000074	RONDELLA	8.4X24X2	WASHER	RONDELLE	SCHEIBE	ARANDELLA
15	PMF-000132	VITE TE	M10X30	HEXAGONAL SCREW	VIS SIX PANS	SECHSKANTSCHRAUBE	TORNILLO



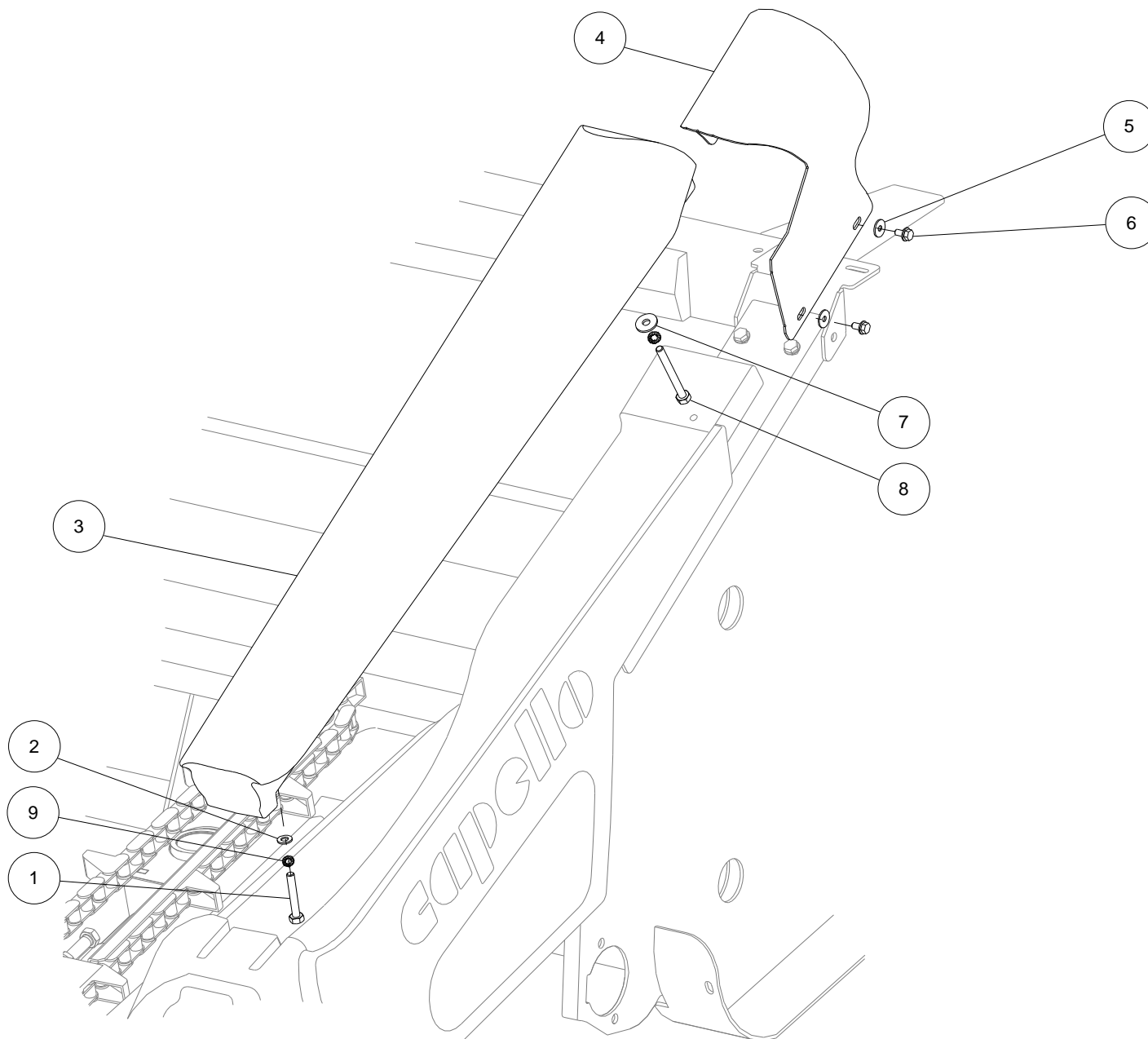
Pos	Code	Descrizione	Note	Description	Description	Beschreibung	Descripcìon
1	03.4111.00-R	PUNTA CENTRALE	750	MIDDLE DIVIDER	POINTE DE DIVISEUR CENTRALE	ABTEILERSPITZE MITTE	PUNTA CENTRALE
1	03.4112.00-R	PUNTA CENTRALE	800	MIDDLE DIVIDER	POINTE DE DIVISEUR CENTRALE	ABTEILERSPITZE MITTE	PUNTA CENTRALE
1	03.4113.00-R	PUNTA CENTRALE	700	MIDDLE DIVIDER	POINTE DE DIVISEUR CENTRALE	ABTEILERSPITZE MITTE	PUNTA CENTRALE
2	01.0996.01	REGISTRO PUNTA		ADJUSTING PLATE	PLAQUE DE REGLAGE	PLATTE	PLACA
3	01.0982.01	CERNIERA		HINGE	CHARNIERE	SCHARNIER	BISAGRA
4	M1-40100	ZOCCOLO		POINT	POINTE	SPITZE	BASE
5	01.0998.02	PIASTRA DI STRISCIAMENTO		PLATE	PLAQUE	PLATTE	PLACA
6	01.0984.02	CENTINA	750	PLATE	PLAQUE	PLATTE	PLACA
6	01.0985.02	CENTINA	800	PLATE	PLAQUE	PLATTE	PLACA
6	01.0986.02	CENTINA	700	PLATE	PLAQUE	PLATTE	PLACA
7	01.1166.00-R	PUNTA CENTRALE COMPLETA	750	CENTRAL DIVIDER COMPLETE	POINTE DE DIVISEUR INTERIEUR COMPLETE	ABTEILERSPITZE MITTE KOMPLETT	PUNTA CENTRALE COMPLETA
7	01.1167.00-R	PUNTA CENTRALE COMPLETA	700	MIDDLE DIVIDER COMPLETE	POINTE DE DIVISEUR CENTRALE COMPLETE	ABTEILERSPITZE MITTE	PUNTA CENTRALE COMPLETA
7	01.1168.00-R	PUNTA CENTRALE COMPLETA	800	MIDDLE DIVIDER COMPLETE	POINTE DE DIVISEUR CENTRALE COMPLETE	ABTEILERSPITZE MITTE	PUNTA CENTRALE COMPLETA



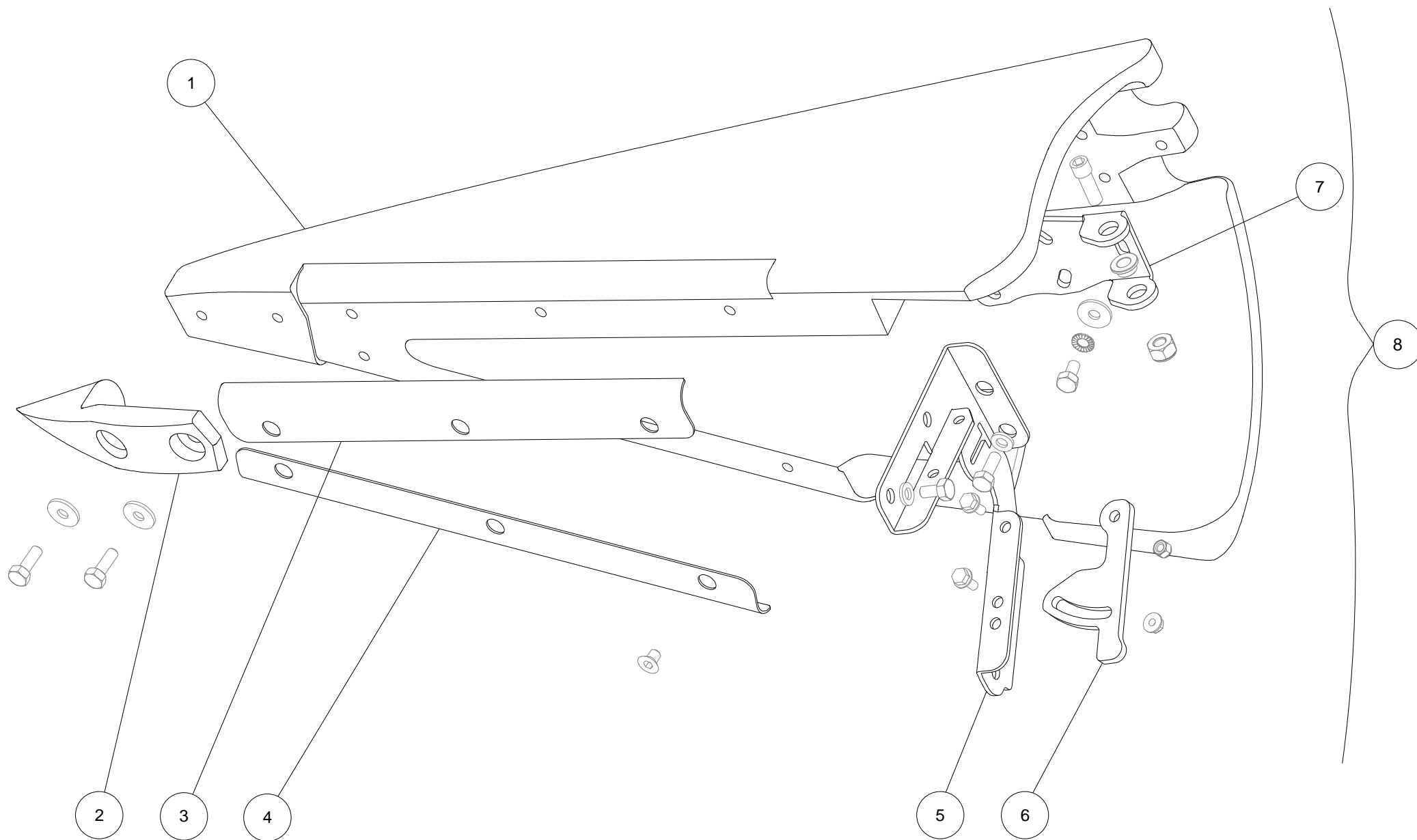
Pos	Code	Descrizione	Note	Description	Description	Beschreibung	Descripcìon
1	PMF-000132	VITE TE	M10X30	HEXAGONAL SCREW	VIS SIX PANS	SECHSKANTSCHRAUBE	TORNILLO
2	PMF-000075	RONDELLA	10X30X2.5	WASHER	RONDELLE	SCHEIBE	ARANDELLA
3	PMF-000132	VITE TE	M10X30	HEXAGONAL SCREW	VIS SIX PANS	SECHSKANTSCHRAUBE	TORNILLO
4	PMF-000135	VITE TSEI	M10X20	COUNTERSUNK SCREW	VIS A TETE FRAISEE	SENKSCHRAUBE	TORNILLO
5	PMF-000105	RONDELLA	10.5X20X2	WASHER	RONDELLE	SCHEIBE	ARANDELLA
6	PMF-000068	DADO AUTOBLOCCANTE	M10	SECURING NUT	ECROU INDESSERRAB	SICHERUNGSMUTTER	CONTRATUERCA
7	PMF-000024	DADO AUTOBLOCCANTE	M12	SECURING NUT	ECROU INDESSERRAB	SICHERUNGSMUTTER	CONTRATUERCA
8	01.1196.00	BOCCOLA		BUSHING	DOUILLE	BÜCHSE	HEVILLA
9	PMF-000184	VITE TCEI	M12X35	SOCKET HEAD SCREW	VIS CYLINDRIQUE	ZYLINDERSCHRAUBE	TORNILLO
10	PMF-000391	RONDELLA	10X18	WASHER	RONDELLE	SCHEIBE	ARANDELLA
11	PMF-000012	DADO TENSILOCK	M10	SECURING NUT TENSILOCK	ECROU TENSILOCK	SICHERUNGSMUTTER TENSILOCK	CONTRATUERCA TENSILOCK
12	PMF-000134	VITE TE	M10X20	HEXAGONAL SCREW	VIS SIX PANS	SECHSKANTSCHRAUBE	TORNILLO
13	PMF-000068	DADO AUTOBLOCCANTE	M10	SECURING NUT	ECROU INDESSERRAB	SICHERUNGSMUTTER	CONTRATUERCA



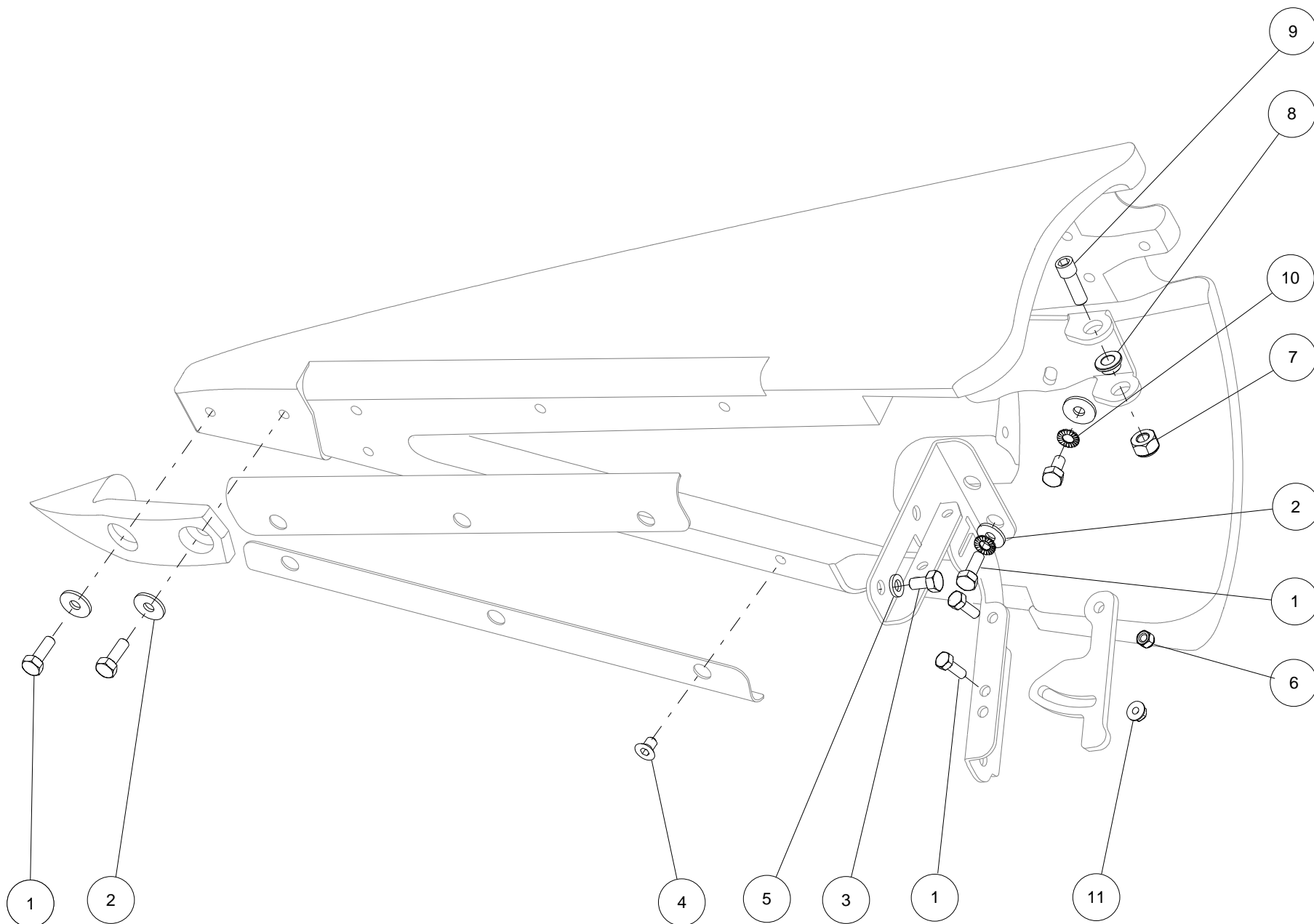
Pos	Code	Descrizione	Note	Description	Description	Beschreibung	Descripcìon
1	01.0962.01	PIASTRA BATTUTA PUNTA		PLATE	PLAQUE	PLATTE	PLACA
2	03.4133.00-R	COFANO LATERALE SINISTRO	LEFT	LEFT LATERAL BONNET	RAVETEMENT GAUCHE	VERKLEIDUNG LINKS	TAPA IZQUIERDA
2	03.4134.00-R	COFANO LATERALE DESTRO	RIGHT	RIGHT LATERAL BONNET	RAVETEMENT DROITE	VERKLEIDUNG RECHTS	TAPA DERECHA
3	PMF-000135	VITE TSEI	M10X20	COUNTERSUNK SCREW	VIS A TETE FRAISEE	SENKSCHRAUBE	TORNILLO
4	01.0965.01	PIASTRA DESTRA BATTUTA PUNTA		RIGHT PLATE	PLAQUE DROITE	PLATTE RECHTS	PLACA DERECHA
4	01.0966.01	PIASTRA SINISTRA BATTUTAPUNTA		LEFT PLATE	PLAQUE GAUCHE	PLATTE LINKS	PLACA IZQUIERDA
6	PMF-000075	RONDELLA	10X30X2.5	WASHER	RONDELLE	SCHEIBE	ARANDELLA
7	PMF-000391	RONDELLA	10X18	WASHER	RONDELLE	SCHEIBE	ARANDELLA
8	PMF-000134	VITE TE	M10X20	HEXAGONAL SCREW	VIS SIX PANS	SECHSKANTSCHRAUBE	TORNILLO
9	01.0979.01	SUPPORTO DESTRO		RIGHT SUPPORT	SUPPORT DROITE	BUGELHALTER RECHTS	SOPORTE DERECHO
9	01.0980.01	SUPPORTO SINISTRO		LEFT SUPPORT	SUPPORT GAUCHE	BUGELHALTER LINKS	SOPORTE IZQUIERDO
10	PMF-000147	VITE TE	M8X20	HEXAGONAL SCREW	VIS SIX PANS	SECHSKANTSCHRAUBE	TORNILLO
11	PMF-000026	DADO AUTOBLOCCANTE	M8	SECURING NUT	ECROU INDESSERRAB	SICHERUNGSMUTTER	CONTRATUERCA
12	01.0462.00	ASTA		ROD	TIGE	SPINDEL	VARILLA
13	01.0707.00	PIASTRA INCERNIERAMENTO		PLATE	PLAQUE	PLATTE	PLACA
14	01.0994.00	FERMO ASTA		BLOCK	TIGE	BLOCK	BLOQUE
15	01.1182.00-R	COFANO LATERALE SINISTRO COMPLETO	LEFT	LEFT LATERAL BONNET COMPLETE	RAVETEMENT GAUCHE COMPLETE	VERKLEIDUNG LINKS KOMPLETT	TAPA IZQUIERDA COMPLETA
15	01.1183.00-R	COFANO LATERALE DESTRO COMPLETO	RIGHT	RIGHT LATERAL BONNET COMPLETE	RAVETEMENT DROITE COMPLETE	VERKLEIDUNG RECHTS KOMPLETT	TAPA DERECHA COMPLETA



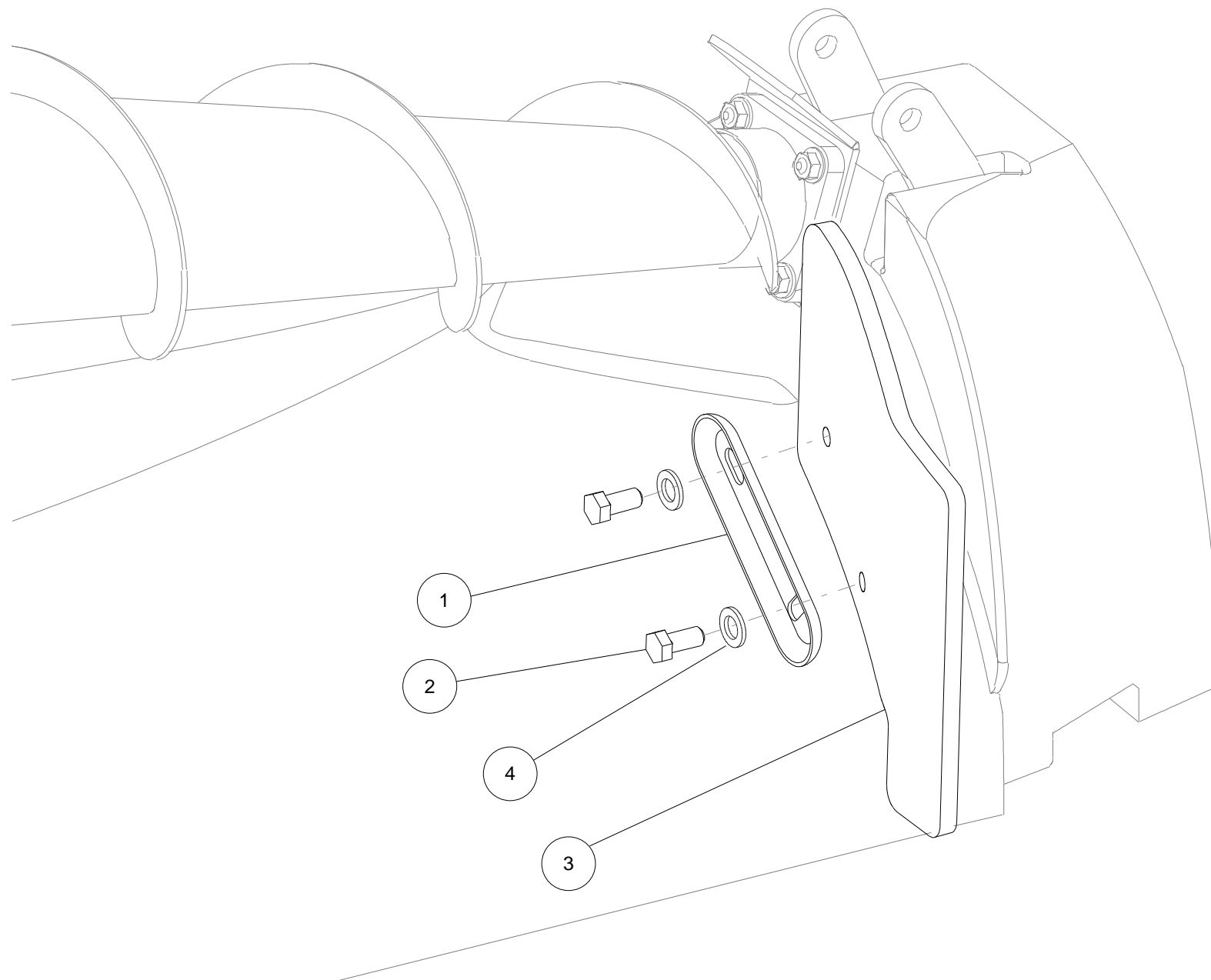
Pos	Code	Descrizione	Note	Description	Description	Beschreibung	Descripcìon
1	PMF-000081	VITE TE	M10X70	HEXAGONAL SCREW	VIS SIX PANS	SECHSKANTSCHRAUBE	TORNILLO
2	PMF-000105	RONDELLA	10.5X20X2	WASHER	RONDELLE	SCHEIBE	ARANDELLA
3	03.4122.00-R	COPERTURA LATERALE		COVER	COUVERTURE	DECKEL	COBERTURA
4	01.1797.00	COPERTURA SINISTRA		LEFT COVER	COUVERTURE GAUCHE	DECKEL LINKS	COBERTURA IZQUIERDA
4	01.1798.00	COPERTURA DESTRA		RIGHT COVER	COUVERTURE DROIT	DECKEL RECHTS	COBERTURA DERECHA
5	PMF-000074	RONDELLA	8.4X24X2	WASHER	RONDELLE	SCHEIBE	ARANDELLA
6	PMF-000047	VITE TENSILOCK	M8X16	SECURING SCREW TENSILOCK	VIS TENSILOCK	SCHRAUBE TENSILOCK	TORNILLO TENSILOCK
7	PMF-000075	RONDELLA	10X30X2.5	WASHER	RONDELLE	SCHEIBE	ARANDELLA
8	PMF-000404	VITE TE	M10X100	HEXAGONAL SCREW	VIS SIX PANS	SECHSKANTSCHRAUBE	TORNILLO
9	PMF-000391	RONDELLA	10X18	WASHER	RONDELLE	SCHEIBE	ARANDELLA



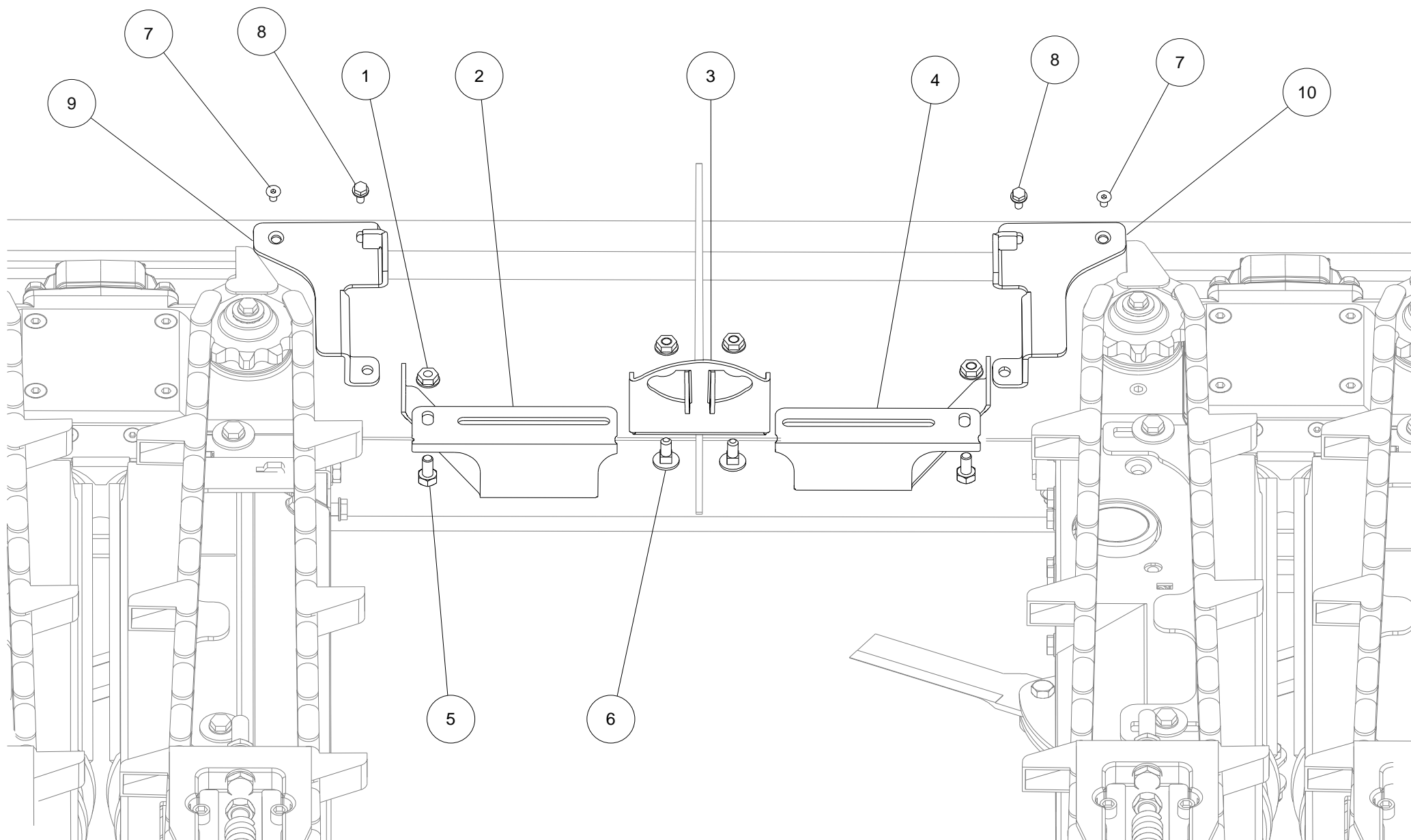
Pos	Code	Descrizione	Note	Description	Description	Beschreibung	Descripcìon
1	03.4116.00-R	PUNTA LATERALE DESTRA		RIGHT LATERAL DIVIDER	POINTE DIVISEUR DROITE	ABTEILERSPITZE RECHTS	PUNTA DE LOS DIVISORE DERECHA
1	03.4117.00-R	PUNTA LATERALE SINISTRA		LEFT LATERAL DIVIDER	POINTE DIVISEUR GAUCHE	ABTEILERSPITZE LINKS	PUNTA DE LOS DIVISORE IZQUIERDA
2	03.4114.01	ZOCOLO		POINT	POINTE	SPITZE	BASE
3	01.0981.01	PIASTRA DI STRISCIAMENTO ESTERNA		PLATE	PLAQUE	PLATTE	PLACA
4	01.0987.01	PIASTRA DI STRISCIAMENTO CENTRALE		INNER PLATE	PLAQUE INTERIEUR	PLATTE	PLACA INTERIOR
5	01.0990.01	CENTINA SINISTRA		LEFT PLATE	PLAQUE GAUCHE	PLATTE LINKS	PLACA IZQUIERDA
5	01.0991.01	CENTINA DESTRA		RIGHT PLATE	PLAQUE DROITE	PLATTE RECHTS	PLACA DERECHA
6	01.0996.01	REGISTRO PUNTA		ADJUSTING PLATE	PLAQUE DE REGLAGE	PLATTE	PLACA
7	01.0983.01	CERNIERA SINISTRA		LEFT HINGE	CHARNIERE GAUCHE	SCHARNIER LINKS	BISAGRA IZQUIERDA
7	01.0988.01	CERNIERA DESTRA		RIGHT HINGE	CHARNIERE DROITE	SCHARNIER RECHTS	BISEGRA DERECHA
8	01.1171.01-R	PUNTA LATERALE SINISTRA COMPLETA	LEFT	LEFT LATERAL DIVIDER COMPLETE	POINTE DIVISEUR GAUCHE COMPLETE	ABTEILERSPITZE LINKS KOMPLETT	PUNTA DE LOS DIVISORE LLENO IZQUIERDA
8	01.1172.01-R	PUNTA LATERALE DESTRA COMPLETA	RIGHT	RIGHT LATERAL DIVIDER COMPLETE	POINTE DIVISEUR DROITE COMPLETE	ABTEILERSPITZE RECHTS KOMPLETT	PUNTA DE LOS DIVISORE LLENO DERECHA



Pos	Code	Descrizione	Note	Description	Description	Beschreibung	Descripcìon
1	PMF-000132	VITE TE	M10X30	HEXAGONAL SCREW	VIS SIX PANS	SECHSKANTSCHRAUBE	TORNILLO
2	PMF-000075	RONDELLA	10X30X2.5	WASHER	RONDELLE	SCHEIBE	ARANDELLA
3	PMF-000134	VITE TE	M10X20	HEXAGONAL SCREW	VIS SIX PANS	SECHSKANTSCHRAUBE	TORNILLO
4	PMF-000515	VITE TSEI	M10X16	COUNTERSUNK SCREW	VIS A TETE FRAISEE	SENKSCHRAUBE	TORNILLO
5	PMF-000105	RONDELLA	10.5X20X2	WASHER	RONDELLE	SCHEIBE	ARANDELLA
6	PMF-000068	DADO AUTOBLOCCANTE	M10	SECURING NUT	ECROU INDESSERRAB	SICHERUNGSMUTTER	CONTRATUERCA
7	PMF-000024	DADO AUTOBLOCCANTE	M12	SECURING NUT	ECROU INDESSERRAB	SICHERUNGSMUTTER	CONTRATUERCA
8	01.1196.00	BOCCOLA		BUSHING	DOUILLE	BÜCHSE	HEVILLA
9	PMF-000184	VITE TCEI	M12X35	SOCKET HEAD SCREW	VIS CYLINDRIQUE	ZYLINDERSCHRAUBE	TORNILLO
10	PMF-000391	RONDELLA	10X18	WASHER	RONDELLE	SCHEIBE	ARANDELLA
11	PMF-000012	DADO TENSILOCK	M10	SECURING NUT TENSILOCK	ECROU TENSILOCK	SICHERUNGSMUTTER TENSILOCK	CONTRATUERCA TENSILOCK



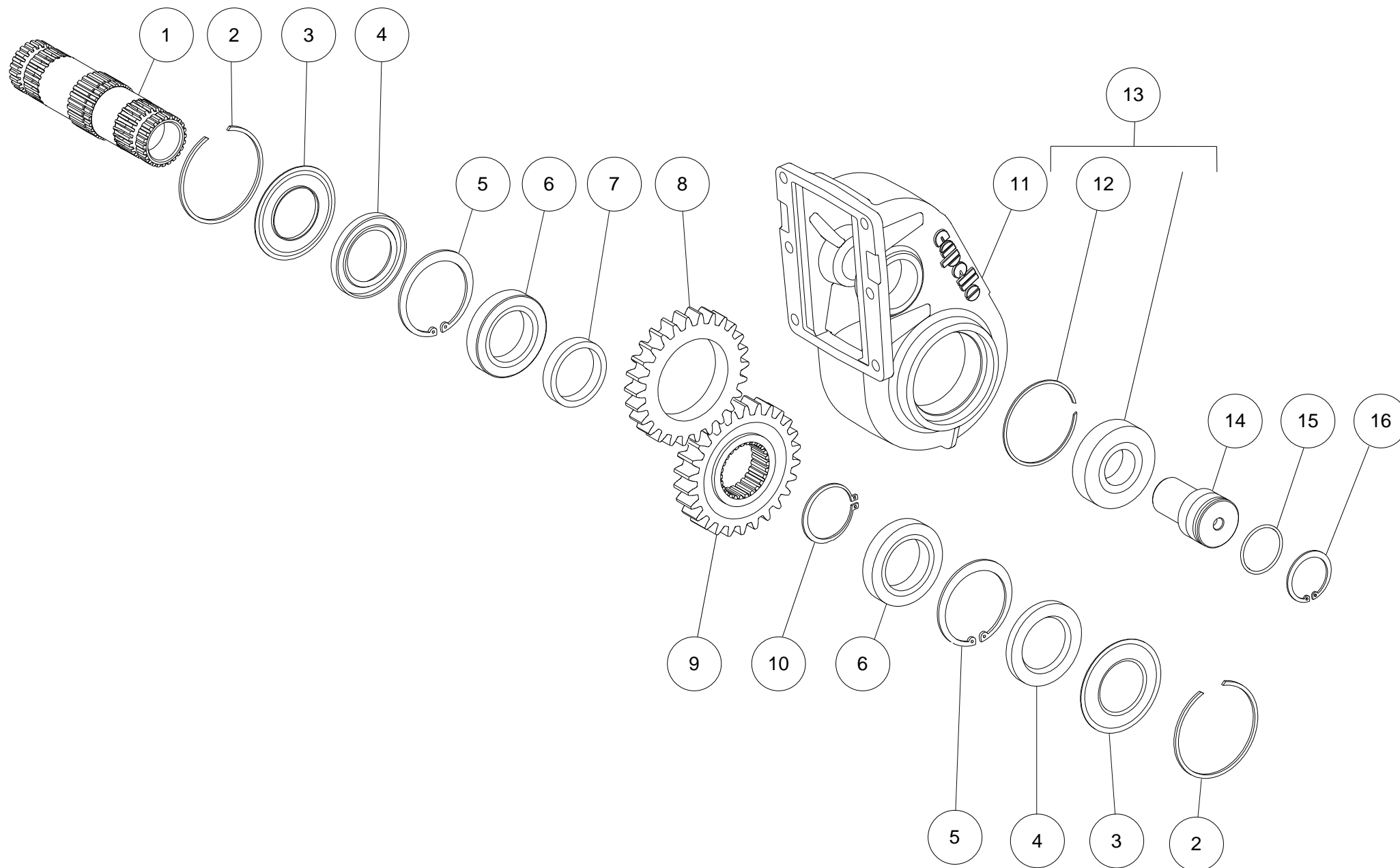
Pos	Code	Descrizione	Note	Description	Description	Beschreibung	Descripcìon
1	03.4102.00	PIASTRINA COFANO CENTRALE		PLATE FOR INNER HOOD	PLAQUE POUR CAPOT CENTRAL	PLATTE	PLACA PARA CAPO' INTERIOR
2	PMF-000134	VITE TE	M10X20	HEXAGONAL SCREW	VIS SIX PANS	SECHSKANTSCHRAUBE	TORNILLO
3	03.4103.00	GOMMA RIPARO PANNOCCHIE		RUBBER COVER	JOINT CAOUTCHOUC	GUMMIABDECKUNG	REPARO GOMA
4	PMF-000105	RONDELLA	10.5X20X2	WASHER	RONDELLE	SCHEIBE	ARANDELLA



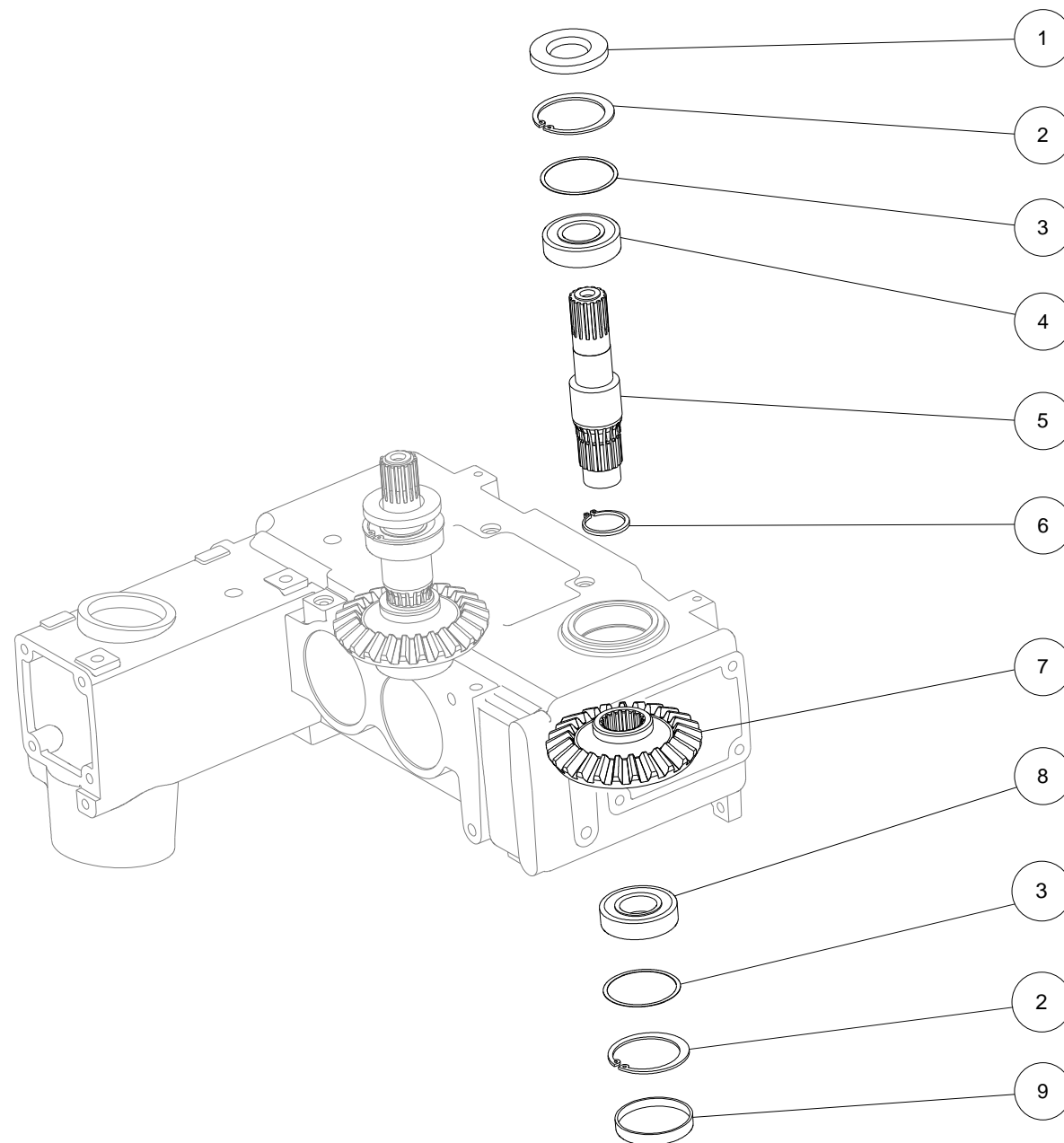
Pos	Code	Descrizione	Note	Description	Description	Beschreibung	Descripción
1	PMF-000012	DADO TENSILOCK	M10	SECURING NUT TENSILOCK	ECROU TENSILOCK	SICHERUNGSMUTTER TENSILOCK	CONTRATUERCA TENSILOCK
2	01.1440.00	STAFFA DESTRA	750	RIGHT SUPPORT	SUPPORT DROITE	BUEGEL RECHTS	SOPORTE DERECHO
2	01.1441.00	STAFFA DESTRA	800	RIGHT SUPPORT	SUPPORT DROITE	BUEGEL RECHTS	SOPORTE DERECHO
2	01.1443.00	STAFFA DESTRA	700	RIGHT SUPPORT	SUPPORT DROITE	BUEGEL RECHTS	SOPORTE DERECHO
3	01.1450.00	CERNIERA		HINGE	CHARNIERE	SCHARNIER	BISAGRA
4	01.1442.00	STAFFA SINISTRA	800	LEFT BRACKET	SUPPORT GAUCHE	BUEGEL LINKS	SOPORTE IZQUIERDO
4	01.1444.00	STAFFA SINISTRA	700	LEFT BRACKET	SUPPORT GAUCHE	BUEGEL LINKS	SOPORTE IZQUIERDO
4	01.1445.00	STAFFA SINISTRA	750	LEFT BRACKET	SUPPORT GAUCHE	BUEGEL LINKS	SOPORTE IZQUIERDO
5	PMF-000134	VITE TE	M10X20	HEXAGONAL SCREW	VIS SIX PANS	SECHSKANTSCHRAUBE	TORNILLO
6	PMF-000029	VITE TBQS	M10X25	COACH SCREW	VIS A TETE BOMBEE	FLACHRUNDSCHRAUBE	TORNILLO
7	PMF-000169	VITE TSEI	M8X16	COUNTERSUNK SCREW	VIS A TETE FRAISEE	SENKSCHRAUBE	TORNILLO
8	PMF-000034	VITE TENSILOCK	M8X20	SECURING SCREW TENSILOCK	VIS TENSILOCK	SCHRAUBE TENSILOCK	TORNILLO TENSILOCK
9	01.1007.02	CERNIERA SINISTRA		LEFT HINGE	CHARNIERE GAUCHE	SCHARNIER LINKS	BISAGRA IZQUIERDA
10	01.1008.02	CERNIERA DESTRA		RIGHT HINGE	CHARNIERE DROITE	SCHARNIER RECHTS	BISEGRA DERECHA

SHANK

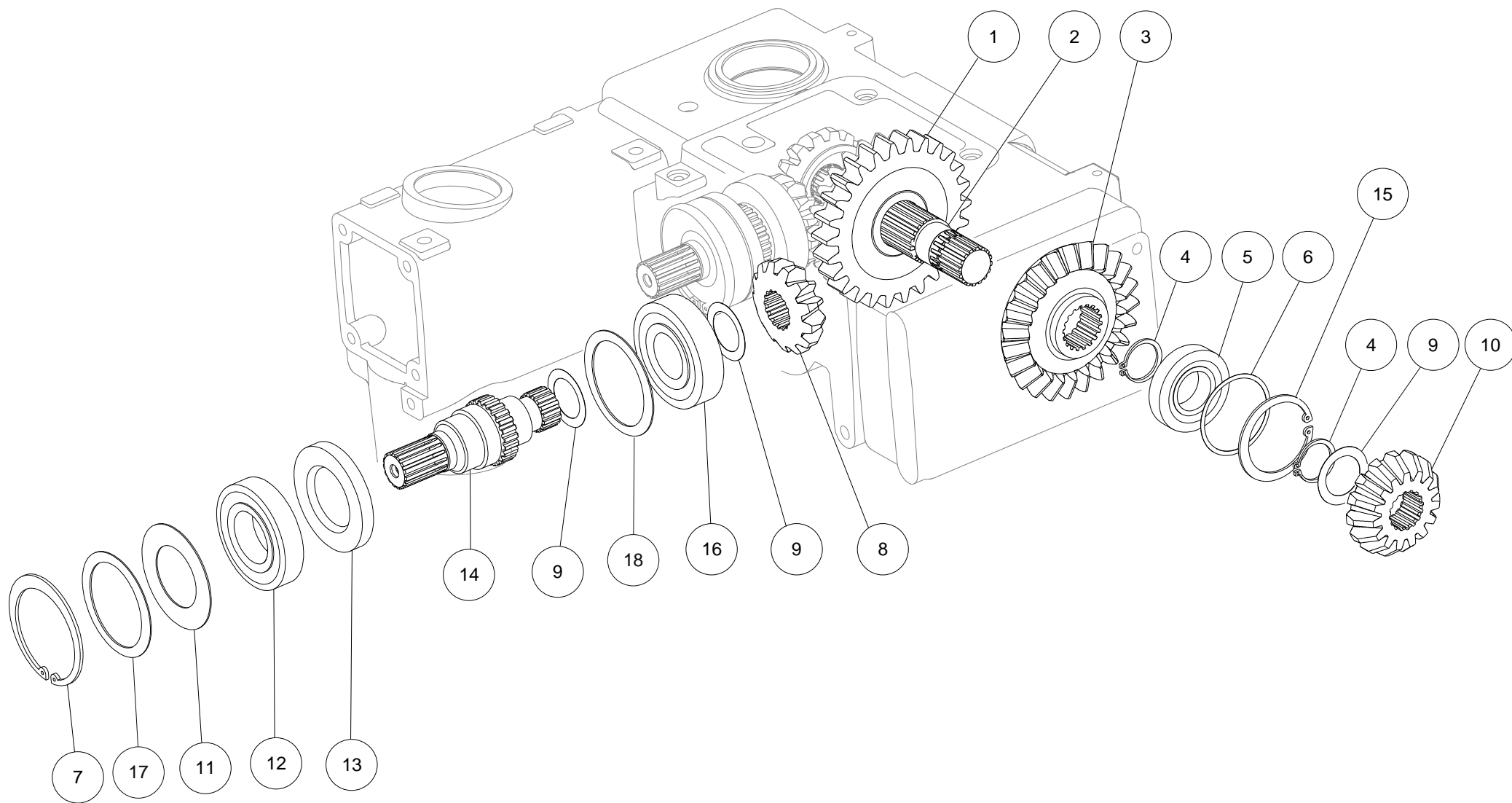
CODOLO



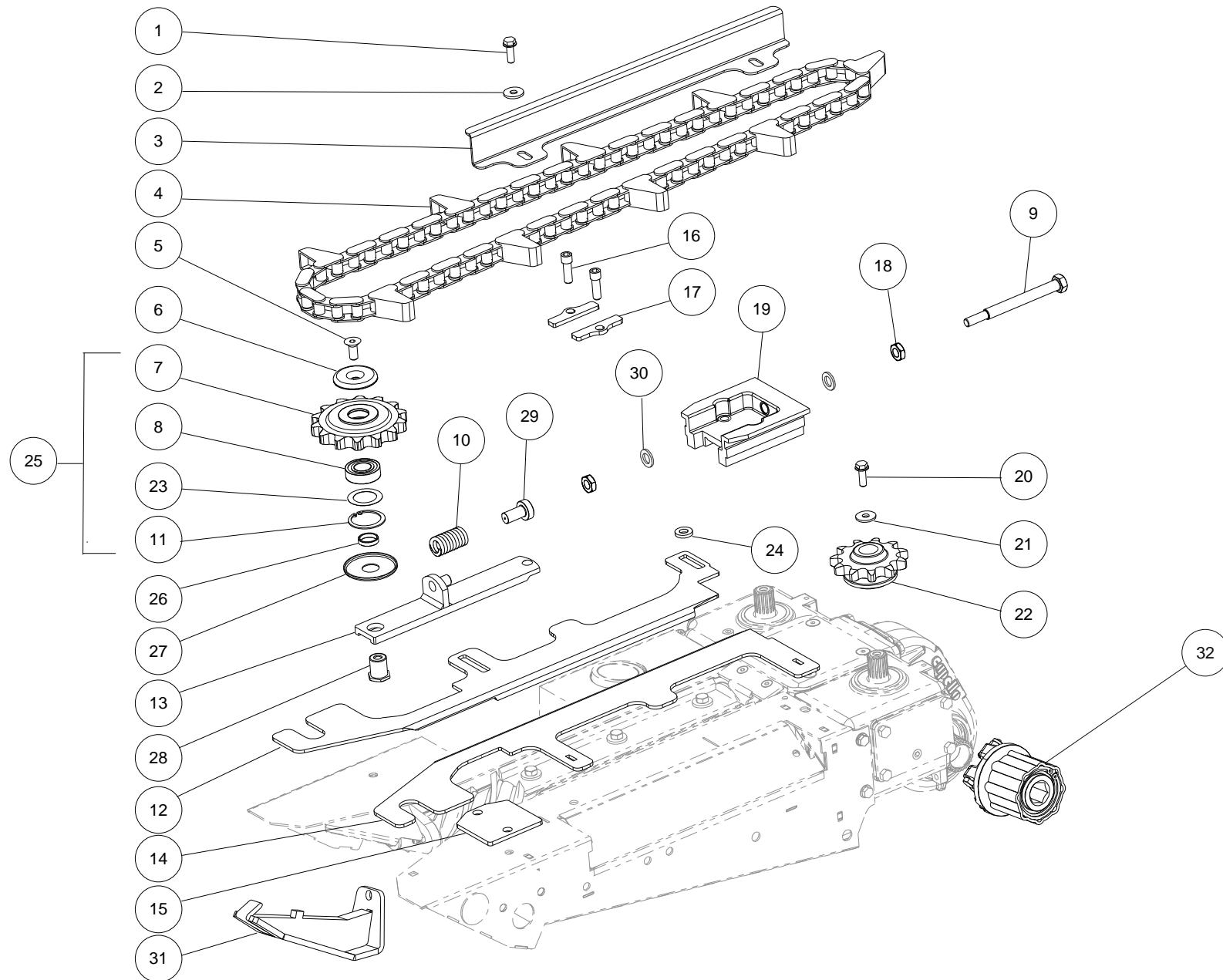
Pos	Code	Descrizione	Note	Description	Description	Beschreibung	Descripción
1	04.5037.00	ALBERO		SHAFT	ARBRE	WELLE	EJE
2	04.5031.00	ANELLO DI SPALLAMENTO		SNAP RING	ANNEAU DE RETENUE	RING	ANILLO
3	04.5032.01	PROTEZIONE		SAFETY DISC	GARANT	DECKSCHEIBE	PROTECCION
4	PMF-000148	ANELLO DI TENUTA	50X80X8	SEAL RING	BAGUE D'ETANCHEIT	BACKRING	ANILLO
5	PMF-000121	ANELLO ELASTICO	I 80X2.5	CIRCLIP	CIRCLIP	SICHERUNGSRING	ANILLO ELASTICO
6	PMS-000022	CUSCINETTO A SFERE		BALL BEARING	ROULEMENT A BILLES	KUGELLAGER	RODAMIENTO DE BOLAS
7	04.5035.00	DISTANZIALE		SPACER	EPAISSEUR	DISTANZSCHEIBE	ESPACIADOR
8	M1-80142	INGRANAGGIO		GEAR	ROUE DENTEE	STINRAD	ENGRANAJE
9	04.5036.00	INGRANAGGIO		GEAR	ROUE DENTEE	STINRAD	ENGRANAJE
10	04.5038.00	ANELLO ELASTICO	E 55X2	CIRCLIP	CIRCLIP	SICHERUNGSRING	ANILLO ELASTICO
11	04.5097.00	SCATOLA DI TRASMISSIONE		GEARBOX	BOITIER D'ENTRAINEMENT	GETRIEBE	CAJA ENGRANAJE
12	M1-80167	ANELLO ELASTICO		CIRCLIP	CIRCLIP	SICHERUNGSRING	ANILLO ELASTICO
13	PMS-000025	CUSCINETTO A SFERE		BALL BEARING	ROULEMENT A BILLES	KUGELLAGER	RODAMIENTO DE BOLAS
14	M1-80141	PERNO		PIVOT	TETON	ZAPFEN	PIVOTE
15	04.5043.00	O-RING		O-RING	O-RING	O-RING	O-RING
16	PMF-000006	ANELLO ELASTICO	I 47X1.75	CIRCLIP	CIRCLIP	SICHERUNGSRING	ANILLO ELASTICO



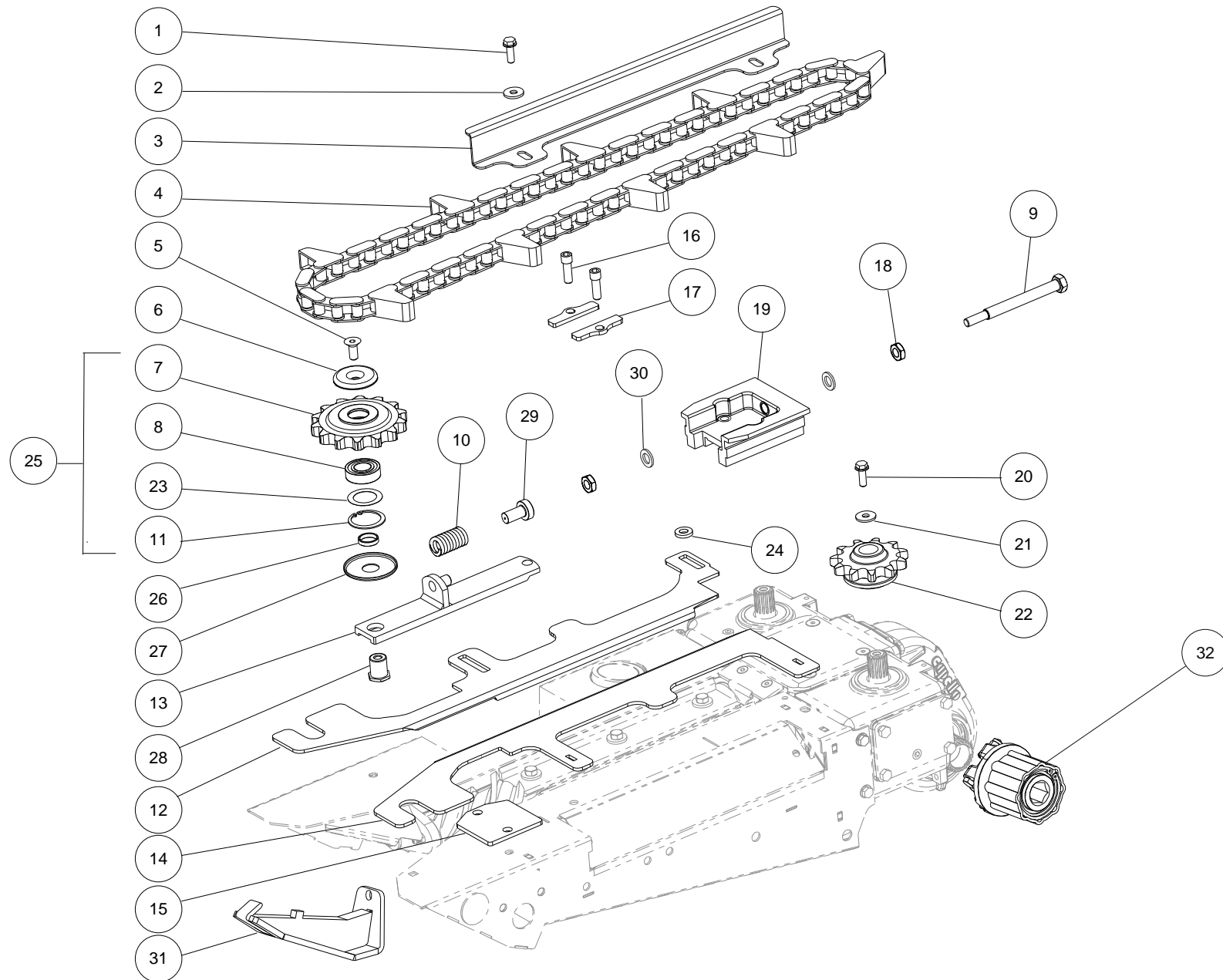
Pos	Code	Descrizione	Note	Description	Description	Beschreibung	Descripción
1	PMF-000115	ANELLO DI TENUTA	30X62X7	SEAL RING	BAGUE D'ETANCHEIT	BACKRING	ANILLO
2	PMF-000118	ANELLO ELASTICO	I 62X2	CIRCLIP	CIRCLIP	SICHERUNGSRING	ANILLO ELASTICO
3	M1-80156	KIT SPESSORI REGISTRABILI	55,3X61,7	SPACER WASHER KIT	JEU RONDELLE ECARTEMENT	DISTANZSCHEIBE	JUEGO ARANDELLA DISTANCIADORA
4	PMS-000004	CUSCINETTO A SFERE		BALL BEARING	ROULEMENT A BILLES	KUGELLAGER	RODAMIENTO DE BOLAS
5	04.5011.01	ALBERO		SHAFT	ARBRE	WELLE	EJE
6	PMF-000120	ANELLO ELASTICO	E 35X2.5	CIRCLIP	CIRCLIP	SICHERUNGSRING	ANILLO ELASTICO
7	M1-80148	INGRANAGGIO		GEAR	ROUE DENTEE	STINRAD	ENGRANAJE
8	PMS-000023	CUSCINETTO A SFERE		BALL BEARING	ROULEMENT A BILLES	KUGELLAGER	RODAMIENTO DE BOLAS
9	PMF-000097	TAPPO	62X10	COVER	COUVERCLE	DECKEL	COPERTURA



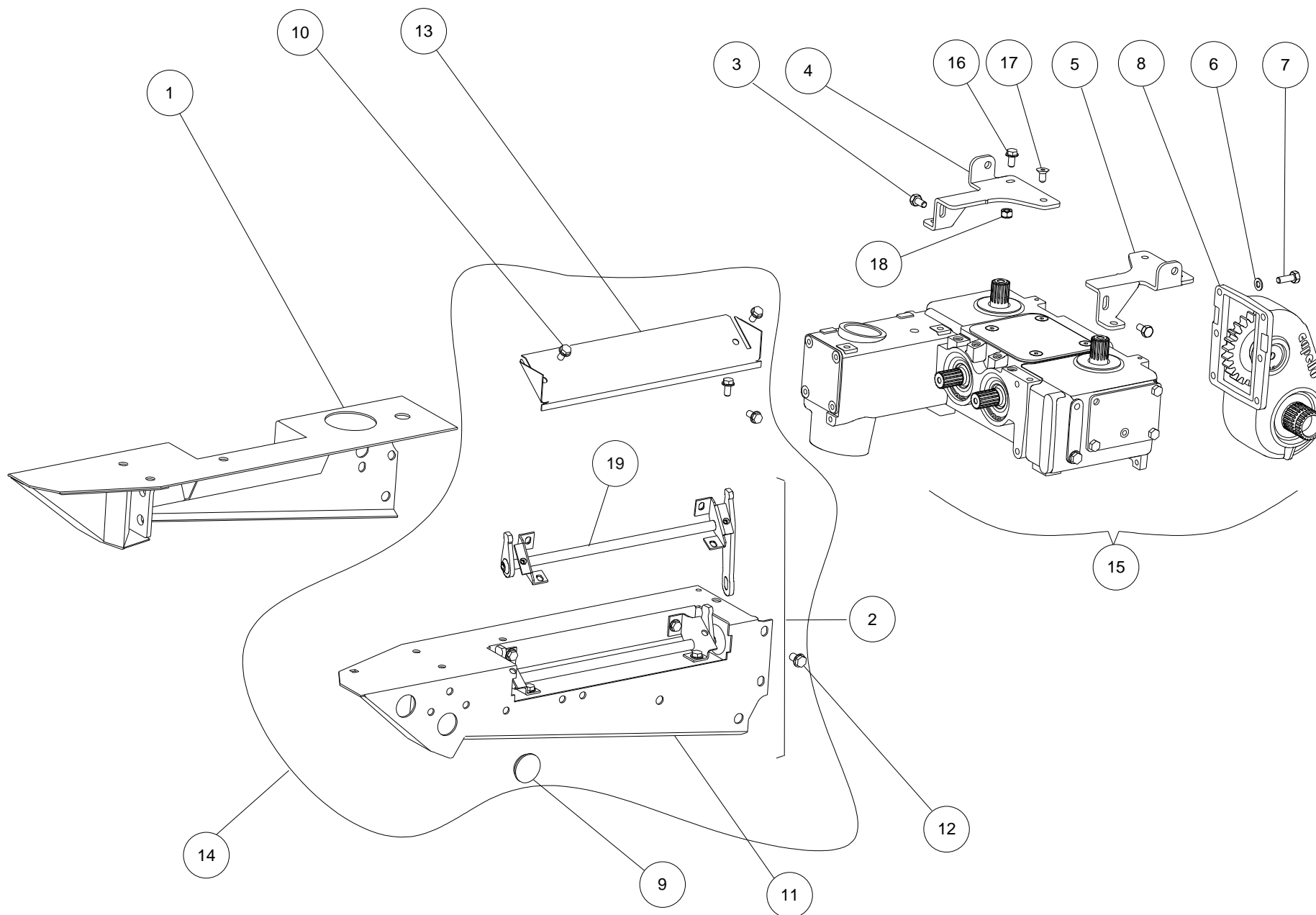
Pos	Code	Descrizione	Note	Description	Description	Beschreibung	Descripcìon
1	M1-80144	INGRANAGGIO		GEAR	ROUE DENTEE	STINRAD	ENGRANAJE
2	M1-80145	ALBERO		SHAFT	ARBRE	WELLE	EJE
3	M1-80146	CORONA CONICA		BEVEL GEAR	ROUE CONIQUE	STINRAD	ENGRANAJE
4	PMF-000119	ANELLO ELASTICO	E 30X1,5	CIRCLIP	CIRCLIP	SICHERUNGSRING	ANILLO ELASTICO
5	PMS-000028	CUSCINETTO A RULLI		ROLLER BEARING	PALIER A ROULEAUX	SCHRAEGROLLENLAGER	RODAMIENTO DE RODILLOS
6	M1-80156	KIT SPESSORI REGISTRABILI	55.3X61.7	SPACER WASHER KIT	JEU RONDELLE ECARTEMENT	DISTANZSCHEIBE	JUEGO ARANDELLA DISTANCIADORA
7	PMF-000121	ANELLO ELASTICO	I 80X2.5	CIRCLIP	CIRCLIP	SICHERUNGSRING	ANILLO ELASTICO
8	M1-80143	PIGNONE CONICO	Z13	SPROCKET	PIGNON CONIQUE	KEGELRAD	PIÑÓN
9	M1-80154	KIT SPESSORI REGISTRABILI	30.3X44	SPACER WASHER KIT	JEU RONDELLE ECARTEMENT	DISTANZSCHEIBE	JUEGO ARANDELLA DISTANCIADORA
10	M1-80147	PIGNONE CONICO		SPROCKET	PIGNON CONIQUE	KEGELRAD	PIÑÓN
11	04.5092.00	RONDELLA		WASHER	RONDELLE	SCHEIBE	ARANDELLA
12	04.5022.00	CUSCINETTO A SFERE		BALL BEARING	ROULEMENT A BILLES	KUGELLAGER	RODAMIENTO DE BOLAS
13	PMF-000114	ANELLO DI TENUTA	45X80X10	SEAL RING	BAGUE D'ETANCHEIT	BACKRING	ANILLO
14	04.5025.00	ALBERO		SHAFT	ARBRE	WELLE	EJE
15	PMF-000118	ANELLO ELASTICO	I 62X2	CIRCLIP	CIRCLIP	SICHERUNGSRING	ANILLO ELASTICO
16	PMS-000021	CUSCINETTO A SFERE		BALL BEARING	ROULEMENT A BILLES	KUGELLAGER	RODAMIENTO DE BOLAS
17	M1-80159	KIT SPESSORI REGISTRABILI	69X79.7	SPACER WASHER KIT	JEU RONDELLE ECARTEMENT	DISTANZSCHEIBE	JUEGO ARANDELLA DISTANCIADORA
18	M1-80159	KIT SPESSORI REGISTRABILI	69X79.7	SPACER WASHER KIT	JEU RONDELLE ECARTEMENT	DISTANZSCHEIBE	JUEGO ARANDELLA DISTANCIADORA



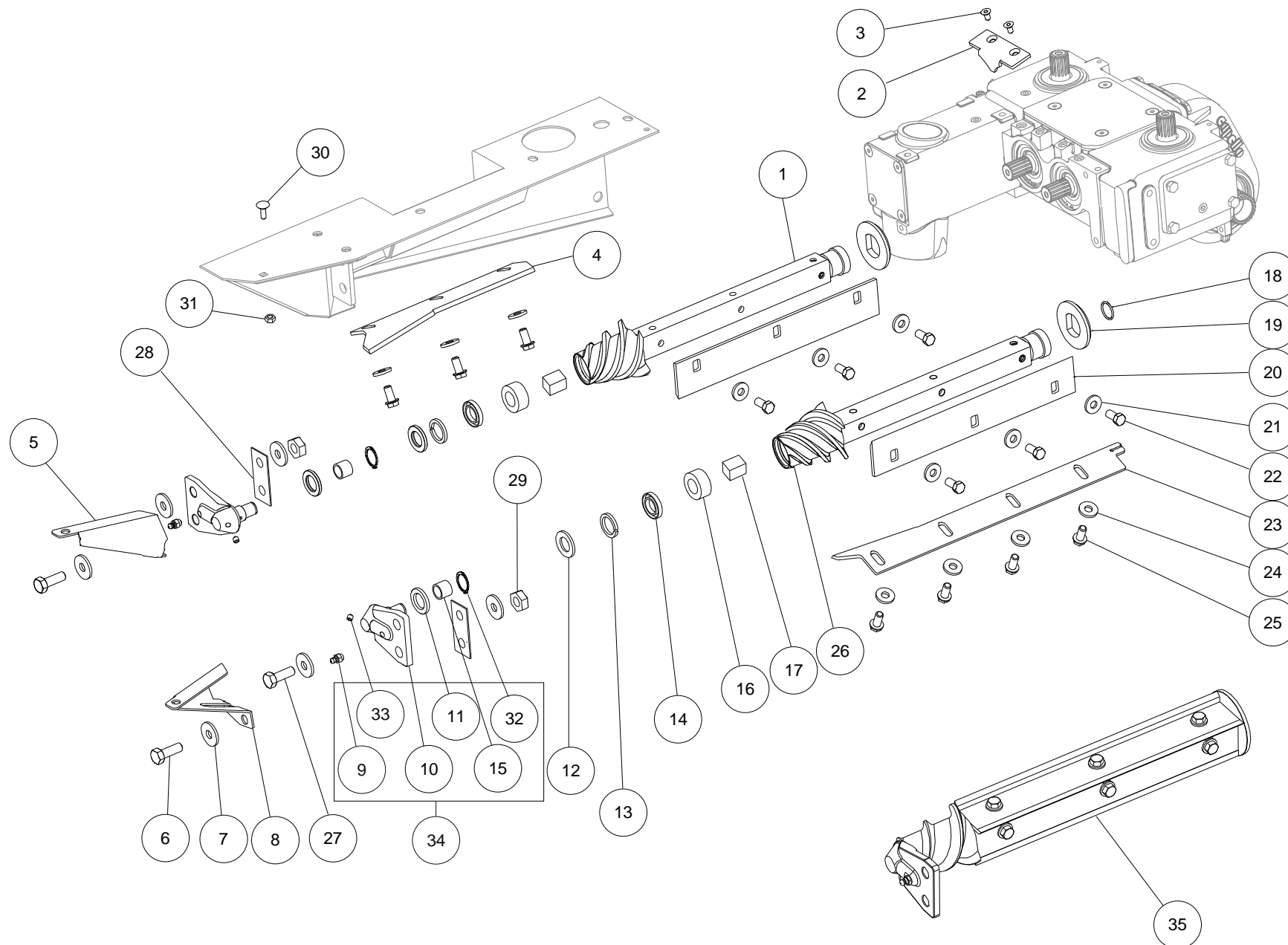
Pos	Code	Descrizione	Note	Description	Description	Beschreibung	Descripció
1	PMF-000252	VITE TENSILOCK	M12X35	SECURING SCREW TENSILOCK	VIS TENSILOCK	SCHRAUBE TENSILOCK	TORNILLO TENSILOCK
2	02.2092.00	RONDELLA	12X40X2.5	WASHER	RONDELLE	SCHEIBE	ARANDELLA
3	01.0188.00	GUIDACATENA		CHAIN GUIDE	GUIDE CHAINE	KETTENFUEHRUNG	GUIA PARA CADENA
4	M1-80140	CATENA RACCOGLITRICE		COVEYOR CHAIN	CHAINE CONVOYEUR	FOERDERKETTE	CADENA
5	PMF-000444	VITE TSEI	M12X25	COUNTERSUNK SCREW	VIS A TETE FRAISEE	SENKSCRAUBE	TORNILLO
6	03.2110.00	COPERCHIO		COVER	COUVERTURE	DECKEL	COBERTURA
7	03.2113.00	INGRANAGGIO	Z14	GEAR	ROUE DENTEE	STINRAD	ENGRANAJE
8	04.5052.00	CUSCINETTO A SFERE		BALL BEARING	ROULEMENT A BILLES	KUGELLAGER	RODAMIENTO DE BOLAS
9	03.2105.00	VITE DI REGOLAZIONE		ADJUSTING SCREW	VIS	SCHRAUBE	TORNILLO
10	03.2014.01	MOLLA		COMPRESS SPRING	RESSORT	DRUCKFEDER	MUELLE
11	04.5051.00	ANELLO ELASTICO		CIRCLIP	CIRCLIP	SICHERUNGSRING	ANILLO ELASTICO
12	01.2623.00	PIATTO SPANNOCCHIATORE DESTRO		PICKER PLATE RIGHT	PLAQUE CUILLEUSE DROITE	PFLUECKPLATTE RECHTS	PLATA DE ORDERO DERECHA
13	03.2114.00	STAFFA		BRACKET	SUPPORT	BUEGEL	SOPORTE
14	01.2624.00	PIATTO SPANNOCCHIATORE SINISTRO		PICKER PLATE LEFT	PLAQUE CUILLEUSE GAUCHE	PFLUECKPLATTE LINKS	PLATA DE ORDERO IZQUIERDA
15	01.0261.00	PIASTRA		PLATE	PLAQUE	PLATTE	PLACA
16	PMF-000452	VITE TCEI	M12X55	SOCKET HEAD SCREW	VIS CYLINDRIQUE	ZYLINDERSCHRAUBE	TORNILLO
17	01.0668.00	PIASTRA		PLATE	PLAQUE	PLATTE	PLACA
18	PMF-000390	DADO	M16	HEXAGONAL NUT	ECROU SIX PANS	SICHERUNGSMUTTER	CONTRATUERCA
19	03.2015.01	GUIDACATENA		CHAIN GUIDE	GUIDE CHAINE	KETTENFUEHRUNG	GUIA PARA CADENA
20	PMF-000040	VITE TENSILOCK	M10X25	SECURING SCREW TENSILOCK	VIS TENSILOCK	SCHRAUBE TENSILOCK	TORNILLO TENSILOCK
21	01.0183.00	RONDELLA		WASHER	RONDELLE	SCHEIBE	ARANDELLA
22	03.1990.00	INGRANAGGIO	Z13	GEAR	ROUE DENTEE	STINRAD	ENGRANAJE
22	03.1995.00	INGRANAGGIO	Z11	GEAR	ROUE DENTEE	STINRAD	ENGRANAJE
22	03.2012.00	INGRANAGGIO	Z10	GEAR	ROUE DENTEE	STINRAD	ENGRANAJE
23	03.2125.00	DISCO DI PROTEZIONE		DISC GUARD	DISQUE DE PROTECTION	DECKSCHEIBE	DISCO DE PROTECCION
24	01.0262.00	SPESSORE REGISTRABILE		SPACER WASHER	RONDELLE ECARTEMENT	DISTANZSCHEIBE	ARANDELLA DISTANCIADORA



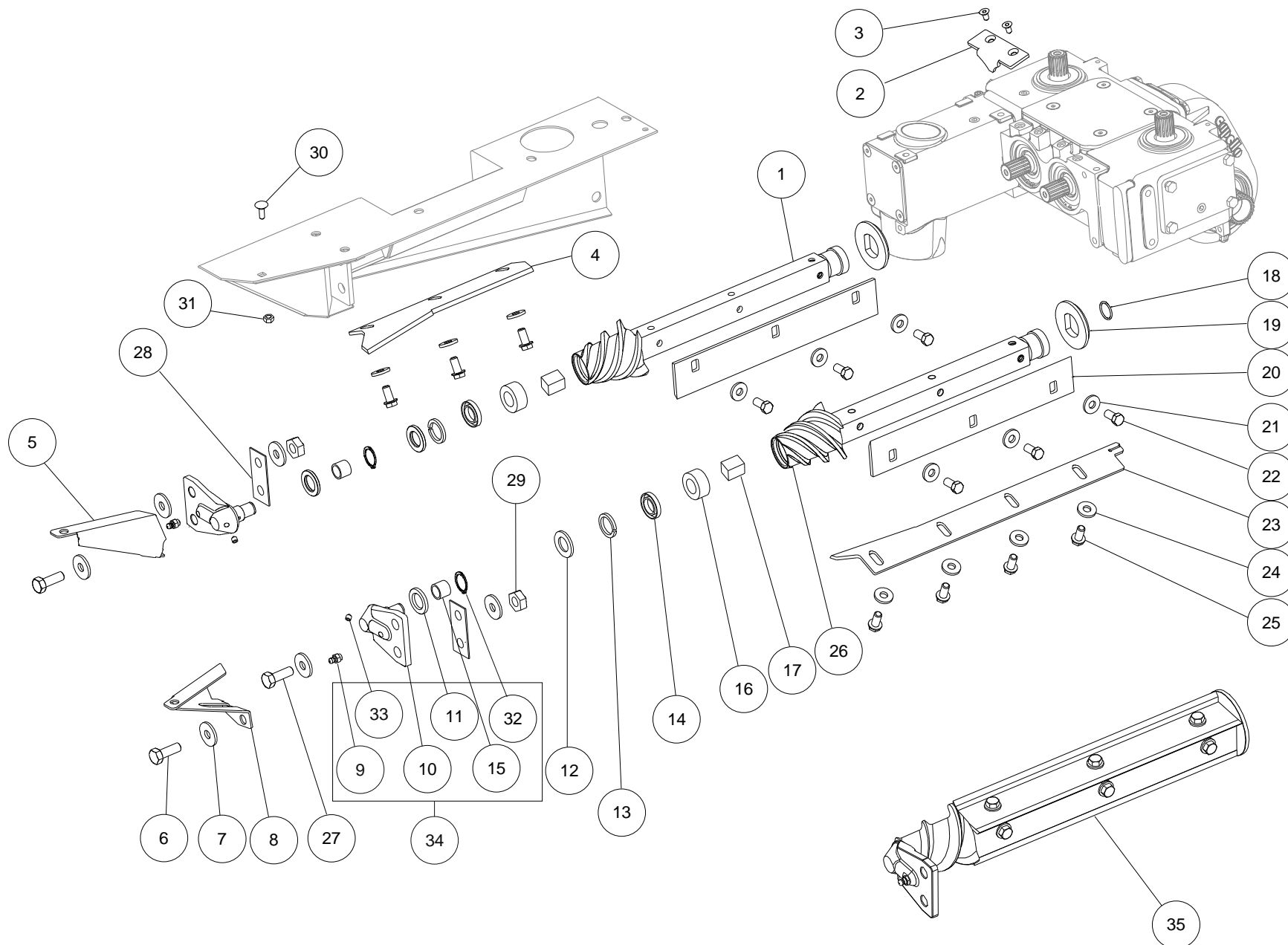
Pos	Code	Descrizione	Note	Description	Description	Beschreibung	Descripcìon
25	01.1255.00	INGRANAGGIO	Z14	GEAR	ROUE DENTEE	STINRAD	ENGRANAJE
26	03.2112.00	DISTANZIALE		SPACER	EPAISSEUR	DISTANZSCHEIBE	ESPACIADOR
27	03.2126.00	PIATTELLO		DISC	GARANT	DECKSCHEIBE	CARTER
28	03.2111.00	PERNO		PIVOT	TETON	ZAPFEN	PIVOTE
29	03.2106.00	BARILOTTO		BUSHING	DOUILLE	BÜCHSE	HEVILLA
30	01.1235.00	RONDELLA	16X25X4	WASHER	RONDELLE	SCHEIBE	ARANDELLA
31	01.1530.00	PATTINO		TRACK SHOE	PATIN	BODENPLATTE	PATIN
32	03.4920.00	LIMITATORE		CLUTCH	EMBAYAGE	KUPPLUNG	EMBRAGUE



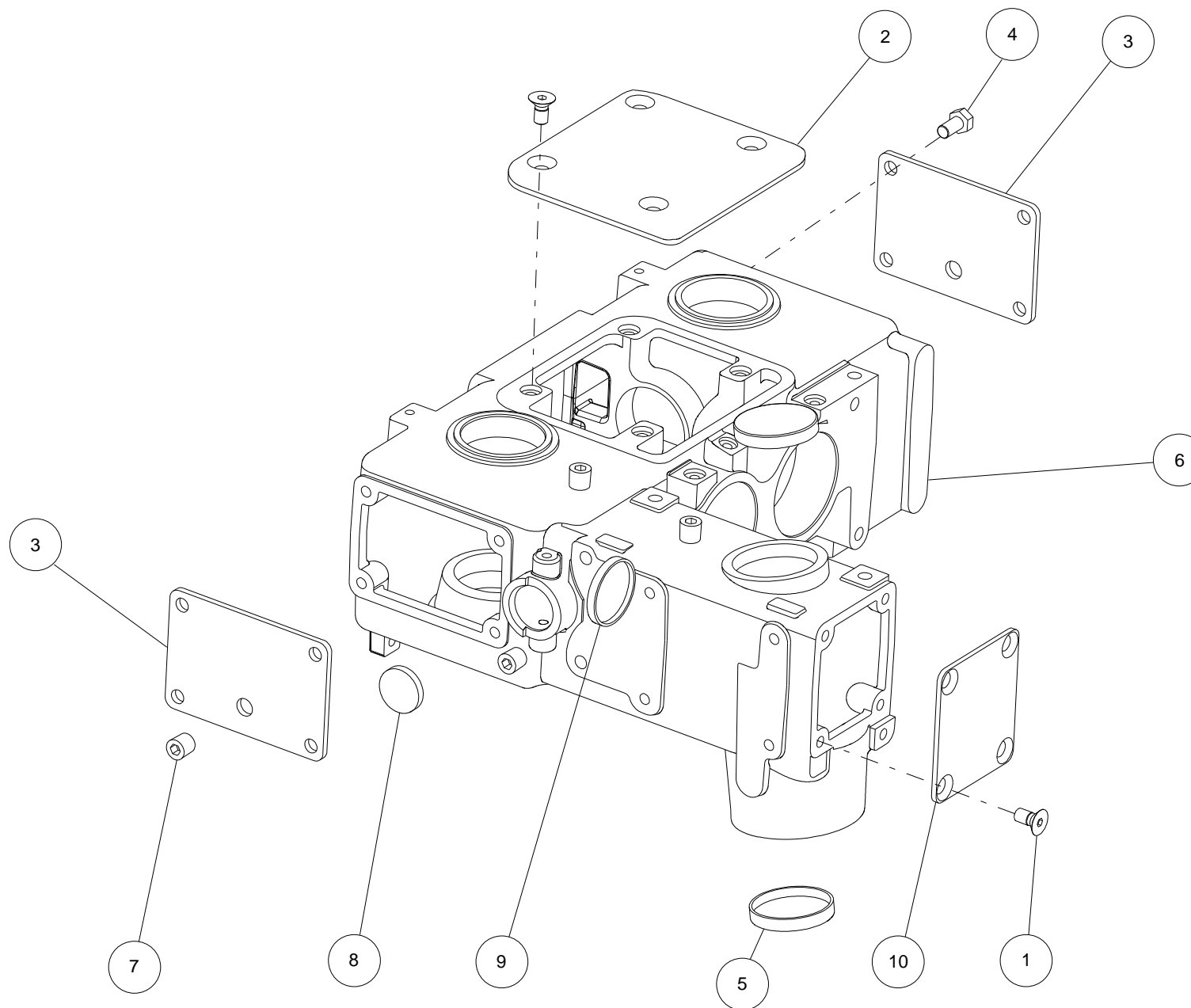
Pos	Code	Descrizione	Note	Description	Description	Beschreibung	Descripcìon
1	03.4802.00	INVOLUCRO DESTRO		RIGHT PLATE	PLAQUE DROITE	PLATTE RECHTS	PLACA DERECHA
2	03.4151.00	INVOLUCRO SINISTRO CON LEVA		LEFT PLATE	PLAQUE GAUCHE	PLATTE LINKS	PLACA IZQUIERDA
3	PMF-000134	VITE TE	M10X20	HEXAGONAL SCREW	VIS SIX PANS	SECHSKANTSCHRAUBE	TORNILLO
4	01.1008.01	CERNIERA DESTRA		RIGHT HINGE	CHARNIERE DROITE	SCHARNIER RECHTS	BISEGRA DERECHA
5	01.1007.01	CERNIERA SINISTRA		LEFT HINGE	CHARNIERE GAUCHE	SCHARNIER LINKS	BISAGRA IZQUIERDA
6	PMF-000105	RONDELLA	10.5X20X2	WASHER	RONDELLE	SCHEIBE	ARANDELLA
7	PMF-000132	VITE TE	M10X30	HEXAGONAL SCREW	VIS SIX PANS	SECHSKANTSCHRAUBE	TORNILLO
8	04.5106.00	CODOLO COMPLETO		GEARBOX HOUSING COMPLETE	BOITIER COMPLET	GETRIEBEGEAUEUSE KOMPLETT	CAJA ENGRANAJE COMPLETA
9	03.2017.00	TAPPO		COVER	COUVERTURE	DECKEL	COPERTURA
10	PMF-000047	VITE TENSILOCK	M8X16	SECURING SCREW TENSILOCK	VIS TENSILOCK	SCHRAUBE TENSILOCK	TORNILLO TENSILOCK
11	03.4804.00	INVOLUCRO SINISTRO		LEFT PLATE	PLAQUE GAUCHE	PLATTE LINKS	PLACA IZQUIERDA
12	PMF-000045	VITE TENSILOCK	M12X20	SECURING SCREW TENSILOCK	VIS TENSILOCK	SCHRAUBE TENSILOCK	TORNILLO TENSILOCK
13	03.4232.00	COPERCHIO		COVER	COUVERTURE	DECKEL	COBERTURA
14	03.4806.00	INVOLUCRO SINISTRO COMPLETO		LEFT PLATE	PLAQUE GAUCHE COMPLETE	PLATTE LINKS KOMPLETT	PLACA IZQUIERDA COMPLETA
15	03.4846.00	SCATOLA DI TRASMISSIONE COMPLETA	NO STALK CHOPPER	GEARBOX COMPLETE	BOITIER D'ENTRAINEMENT	GETRIEBE KOMPLETT	CAJA ENGRANAJE COMPLETA
15	03.4847.00	SCATOLA DI TRASMISSIONE COMPLETA	WITH STALK CHOPPER	GEARBOX COMPLETE	BOITIER D'ENTRAINEMENT	GETRIEBE KOMPLETT	CAJA ENGRANAJE COMPLETA
16	PMF-000113	VITE TE	M8X16	HEXAGONAL SCREW	VIS SIX PANS	SECHSKANTSCHRAUBE	TORNILLO
17	PMF-000169	VITE TSEI	M8X16	COUNTERSUNK SCREW	VIS A TETE FRAISEE	SENKSCHAUBE	TORNILLO
18	PMF-000016	DADO TENSILOCK	M8	SECURING NUT TENSILOCK	ECROU TENSILOCK	SICHERUNGSMUTTER TENSILOCK	CONTRATUERCA TENSILOCK
19	03.4230.00	LEVA		LEVER	LEVIER	HEBEL	PALANCA



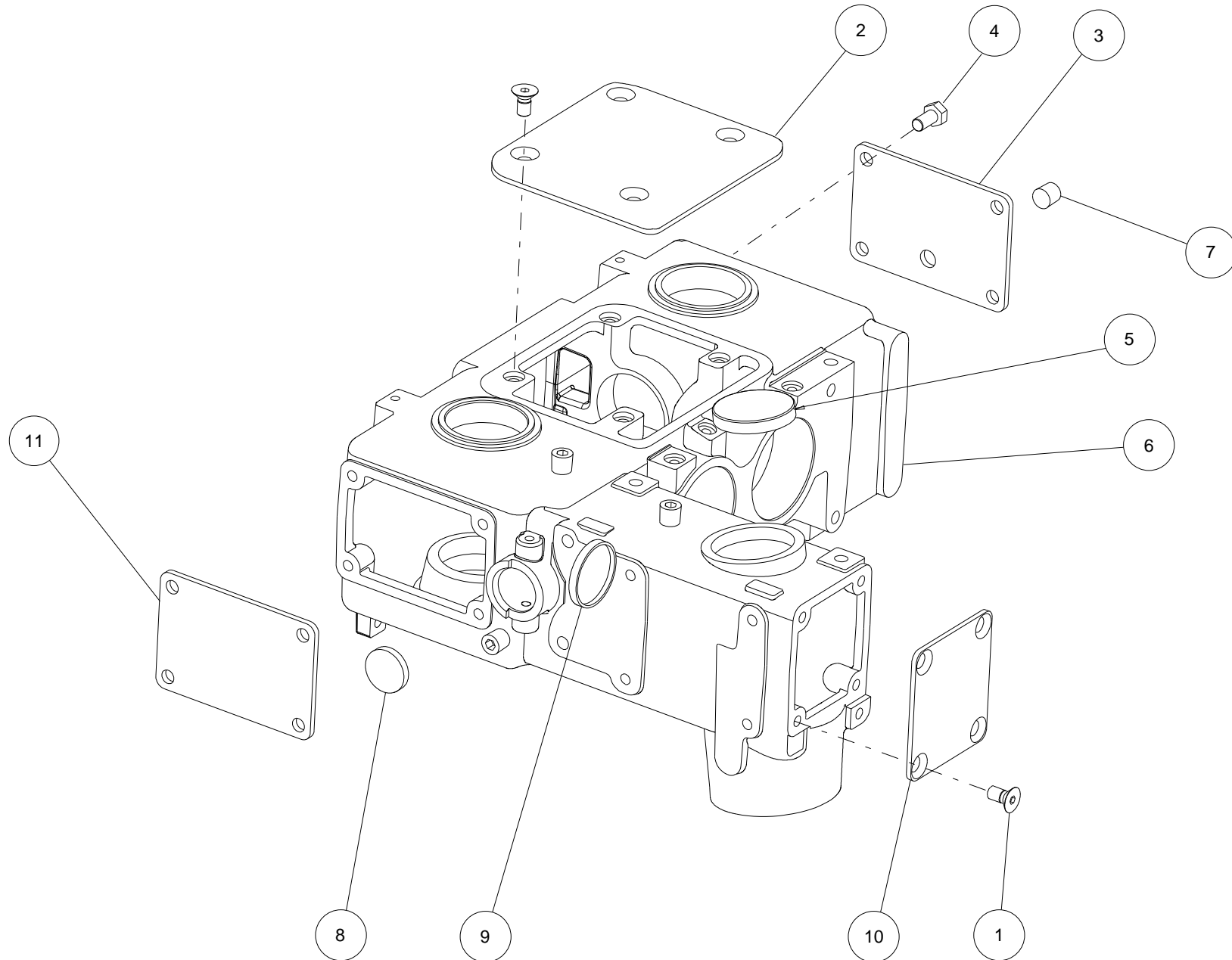
Pos	Code	Descrizione	Note	Description	Description	Beschreibung	Descripción
1	M2-80032	CORPO RULLO DESTRO		RIGHT ROLLER	ROULEAU DROITE	WALZE RECHTS	RODILLO DERECHO
2	M1-80178	PIASTRA RASAERBA		GUARD	GARANT	SCHUTZ	PROTECCION
3	PMF-000169	VITE TSEI	M8X16	COUNTERSUNK SCREW	VIS A TETE FRAISEE	SENKSCBRAUBE	TORNILLO
4	01.1270.00	RASAMENTO DESTRO		STRIPPER KNIFE RIGHT	LAME RACLEUSE DROITE	ABSTREIFMESSER RECHTS	RASCADOR DERECHO
5	M1-80211	RIPARO ANTERIORE DESTRO		RIGHT GUARD	GARANT DROITE	SCHUTZ RECHTS	REPARO DERECHO
6	PMF-000092	VITE TE	M14X50	HEXAGONAL SCREW	VIS SIX PANS	SECHSKANTSCHRAUBE	TORNILLO
7	02.1035.00	RONDELLA	14X30X4	WASHER	RONDELLE	SCHEIBE	ARANDELLA
8	M1-80212	RIPARO ANTERIORE SINISTRO		LEFT GUARD	GARANT GAUCHE	SCHUTZ LINKS	PROTECCION IZQUIERDA
9	PMF-000176	INGRASSATORE	M10	GREASE NIPPLE	GRAISSEUR	SCHMIERNIPPEL	ENGRASADOR
10	M1-80206	SUPPORTO ANTERIORE RULLO		SUPPORT	SUPPORT	UNTERSTÜTZUNG	SOPORTE
11	M1-80210	DISTANZIALE		SPACER	EPAISSEUR	DISTANZSCHEIBE	ESPACIADOR
12	M1-80209	DISTANZIALE		SPACER	EPAISSEUR	DISTANZSCHEIBE	ESPACIADOR
13	M1-80208	FELTRO		FELT RING	RONDELLE FEUTRE	SCHEIBE	ARNDELA
14	M1-80207	ANELLO DI TENUTA		SEAL RING	BAGUE ETANCHEITE	BACKRING	ANILLO
15	PMS-000080	BOCCOLA		BUSHING	DOUILLE	BÜCHSE	HEVILLA
16	PMS-000081	CUSCINETTO A SFERE		BALL BEARING	ROULEMENT A BILLES	KUGELLAGER	RODAMIENTO DE BOLAS
17	M1-80023	TAPPO		COVER	COUVERCLE	DECKEL	COPERTURA
18	PMF-000166	O-RING		O-RING	O-RING	O-RING	O-RING
19	03.2220.00	RONDELLA		WASHER	RONDELLE	SCHEIBE	ARANDELLA
20	M1-80022	COLTELLO SFIBRATORE		PICKER KNIFE	LAME CUILLEUS	HACHSLERMESSER	CUCHILLO
21	PMF-000089	RONDELLA	13X24X2.5	WASHER	RONDELLE	SCHEIBE	ARANDELLA
22	PMF-000090	VITE TE	M12X1.25X20	HEXAGONAL SCREW	VIS SIX PANS	SECHSKANTSCHRAUBE	TORNILLO
23	01.1271.00	RASAMENTO SINISTRO		STRIPPER KNIFE LEFT	LAME RACLEUSE GAUCHE	ABSTREIFMESSER LINKS	RASCADOR IZQUIERDO
24	01.0183.00	RONDELLA	10.5X28X3	WASHER	RONDELLE	SCHEIBE	ARANDELLA
25	PMF-000064	VITE TENSILOCK	M10X20	SCREW TENSILOCK	VIS TENSILOCK	SCHRAUBE TENSILOCK	TORNILLO TENSILOCK
26	M2-80031	CORPO RULLO SINISTRO		LEFT ROLLER	ROULEAU GAUCHE	WALZE LINKS	RODILLO IZQUIERDO



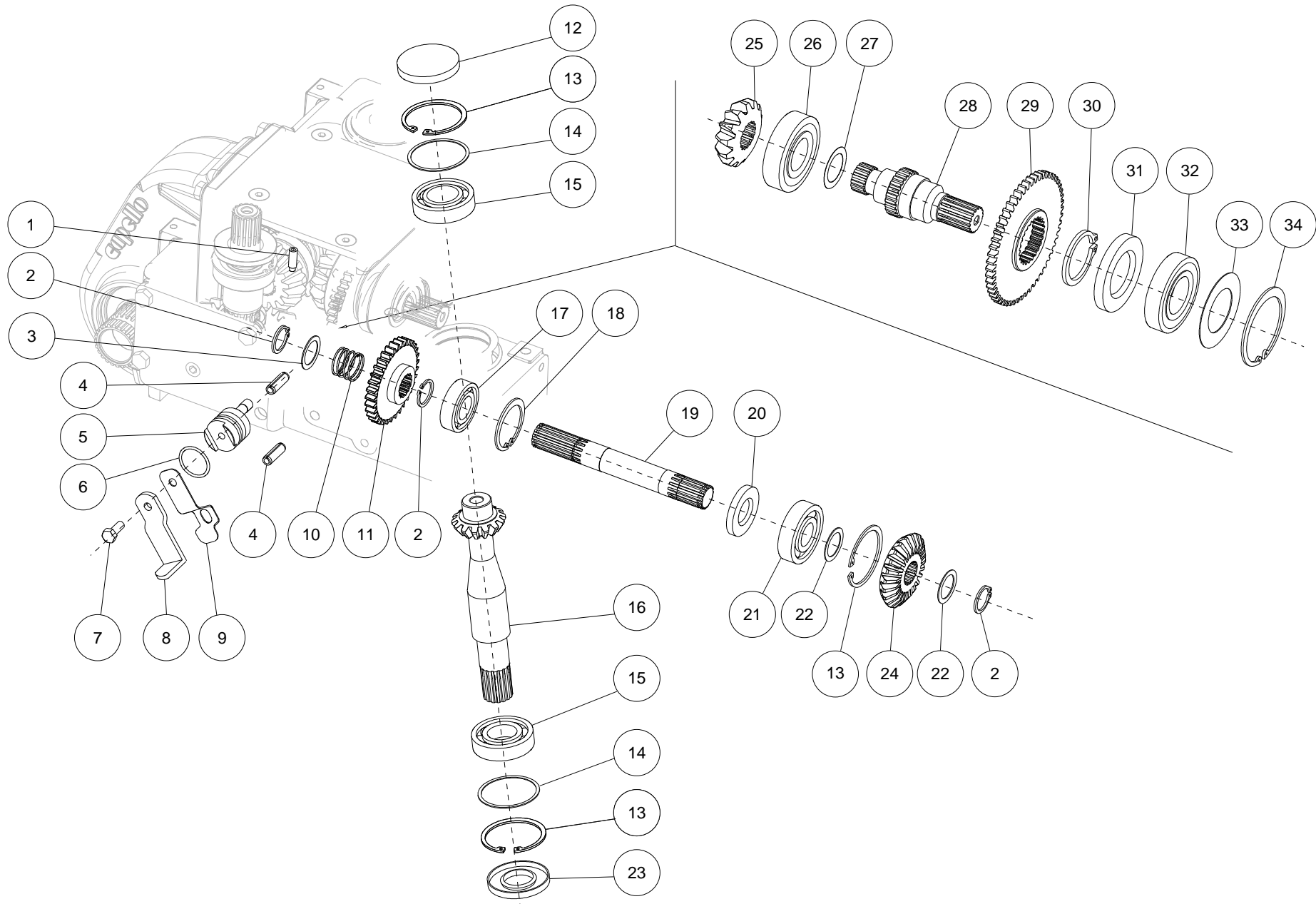
Pos	Code	Descrizione	Note	Description	Description	Beschreibung	Descripción
27	PMF-000091	VITE TE	M14X40	HEXAGONAL SCREW	VIS SIX PANS	SECHSKANTSCHRAUBE	TORNILLO
28	M1-80177	SPESSORE RULLO		METAL SPACER	TOLE	DISTANZBLECH	CASQUILLO
29	PMF-000031	DADO AUTOBLOCCANTE	M14	SECURING NUT	ECROU INDESSERRAB	SICHERUNGSMUTTER	CONTRATUERCA
30	PMF-000029	VITE TBQS	M10X25	COACH SCREW	VIS A TETE BOMBEE	FLACHRUNDSCHRAUBE	TORNILLO
31	PMF-000012	DADO TENSILOCK	M10	SECURING NUT TENSILOCK	ECROU TENSILOCK	SICHERUNGSMUTTER TENSILOCK	CONTRATUERCA TENSILOCK
32	PMF-000572	ANELLO ELASTICO		CIRCLIP	CIRCLIP	SICHERUNGSRING	ANILLO ELASTICO
33	PMF-000362	VITE STEI		GRUB SCREW	GOUPILLE	NUT	TORNILLO
34	M2-80033	SUPPORTO ANTERIORE RULLO		SUPPORT	SUPPORT	UNTERSTÜTZUNG	SOPORTE
35	05.0087.01	RULLO COLTELLI DESTRO COMPLETO		RIGHT ROLLER COMPLETE	ROULEAU DROITE COMPLETE	WALZE RECHTS KOMPLETT	RODILLO DERECHO COMPLETO
35	05.0088.01	RULLO COLTELLI SINISTRO COMPLETO		LEFT ROLLER COMPLETE	ROULEAU GAUCHE COMPLETE	WALZE LINKS KOMPLETT	RODILLO IZQUIERDO COMPLETO



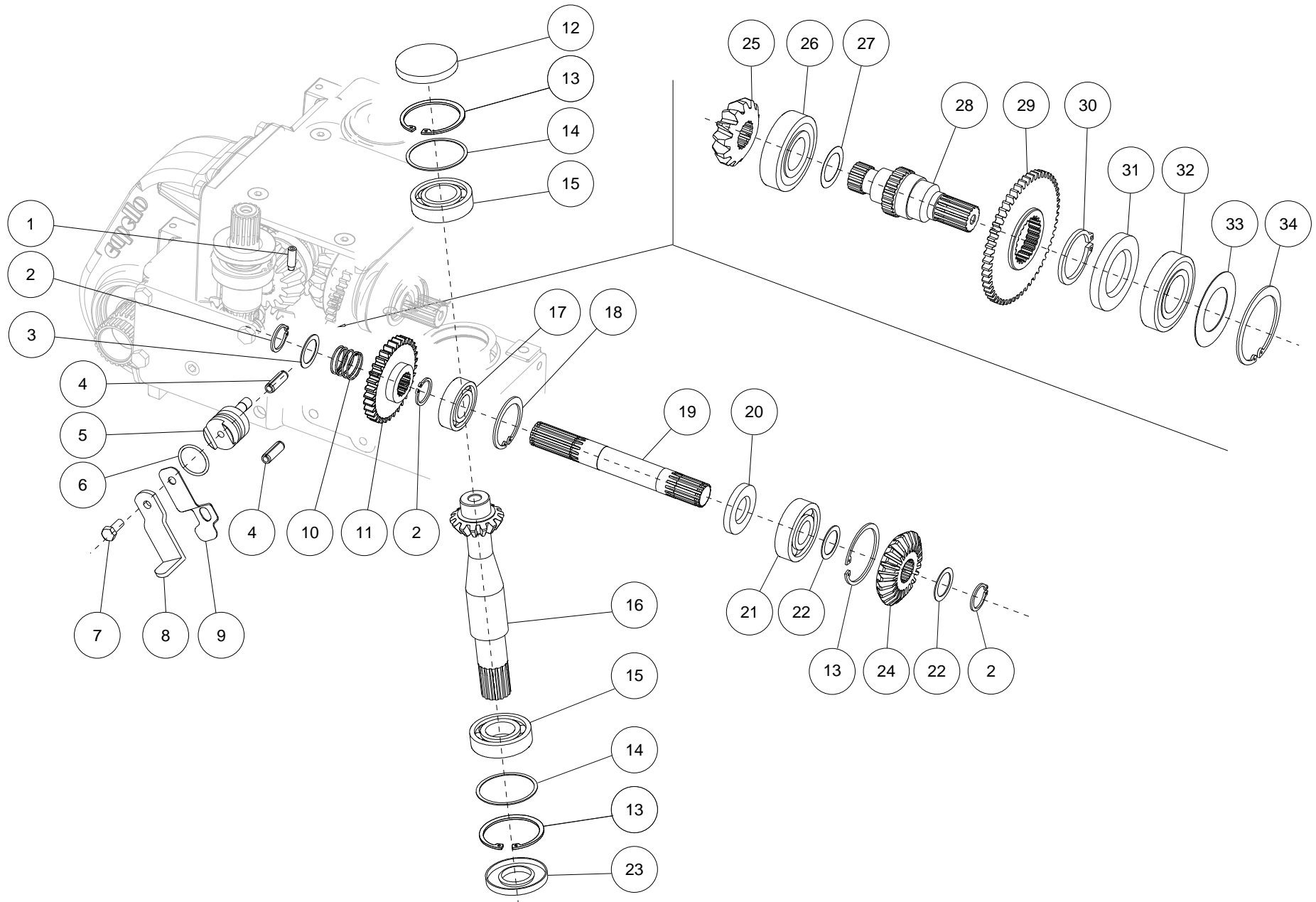
Pos	Code	Descrizione	Note	Description	Description	Beschreibung	Descripcìon
1	PMF-000135	VITE TSEI	M10X20	COUNTERSUNK SCREW	VIS A TETE FRAISEE	SENKSCRAUBE	TORNILLO
2	03.4130.00	COPERCHIO		COVER	COUVERTURE	DECKEL	COBERTURA
3	M1-80151	COPERCHIO		COVER	COUVERTURE	DECKEL	COBERTURA
4	PMF-000134	VITE TE	M10X20	HEXAGONAL SCREW	VIS SIX PANS	SECHSKANTSCHRAUBE	TORNILLO
5	PMF-000097	TAPPO	62X10	COVER	COUVERCLE	DECKEL	COPERTURA
6	04.5103.00	SCATOLA DI TRASMISSIONE		GEARBOX	BOITIER D'ENTRAINEMENT	GETRIEBE	CAJA ENGRANAJE
7	04.5099.00	TAPPO LIVELLO OLIO	3/8"	SCREW PLUG	BOUCHON FILETEE	VERSCHL SCHAUBE	TAPON ROSCADO
8	PMF-000411	TAPPO	34X10	COVER	COUVERCLE	DECKEL	COPERTURA
9	04.5091.00	TAPPO	52X7	COVER	COUVERTURE	DECKEL	COPERTURA
10	04.5089.00	COPERCHIO		COVER	COUVERTURE	DECKEL	COBERTURA



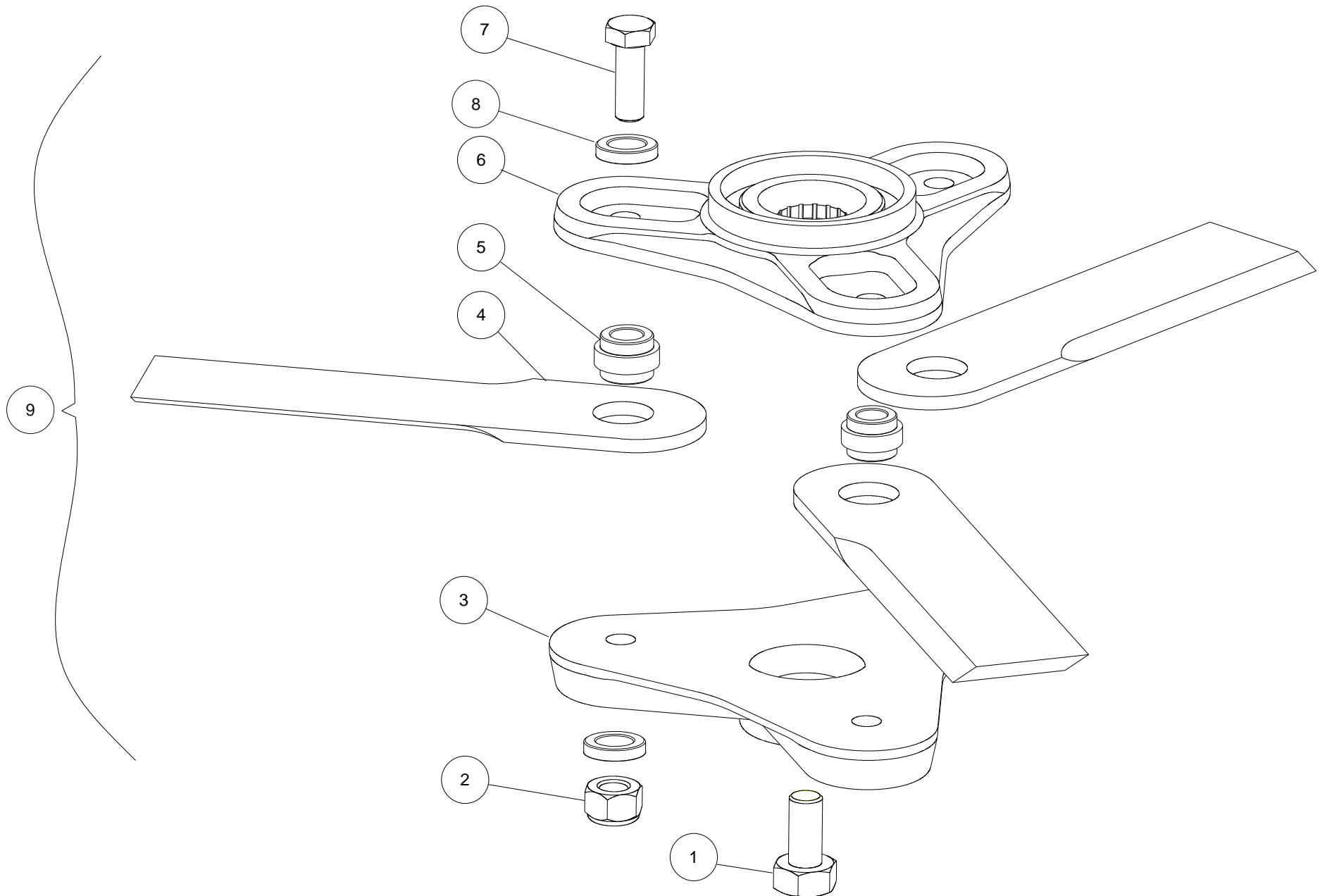
Pos	Code	Descrizione	Note	Description	Description	Beschreibung	Descripcìon
1	PMF-000135	VITE TSEI	M10X20	COUNTERSUNK SCREW	VIS A TETE FRAISEE	SENKSCRAUBE	TORNILLO
2	03.4130.00	COPERCHIO		COVER	COUVERTURE	DECKEL	COBERTURA
3	M1-80151	COPERCHIO		COVER	COUVERTURE	DECKEL	COBERTURA
4	PMF-000134	VITE TE	M10X20	HEXAGONAL SCREW	VIS SIX PANS	SECHSKANTSCHRAUBE	TORNILLO
5	PMF-000097	TAPPO	62X10	COVER	COUVERCLE	DECKEL	COPERTURA
6	04.5103.00	SCATOLA DI TRASMISSIONE		GEARBOX	BOITIER D'ENTRAINEMENT	GETRIEBE	CAJA ENGRANAJE
7	04.5099.00	TAPPO LIVELLO OLIO	3/8"	SCREW PLUG	BOUCHON FILETEE	VERSCHL SCHAUBE	TAPON ROSCADO
8	PMF-000411	TAPPO	34X10	COVER	COUVERCLE	DECKEL	COPERTURA
9	04.5091.00	TAPPO	52X7	COVER	COUVERTURE	DECKEL	COPERTURA
10	04.5089.00	COPERCHIO		COVER	COUVERTURE	DECKEL	COBERTURA
11	04.5325.00	COPERCHIO		COVER	COUVERTURE	DECKEL	COPERTURA



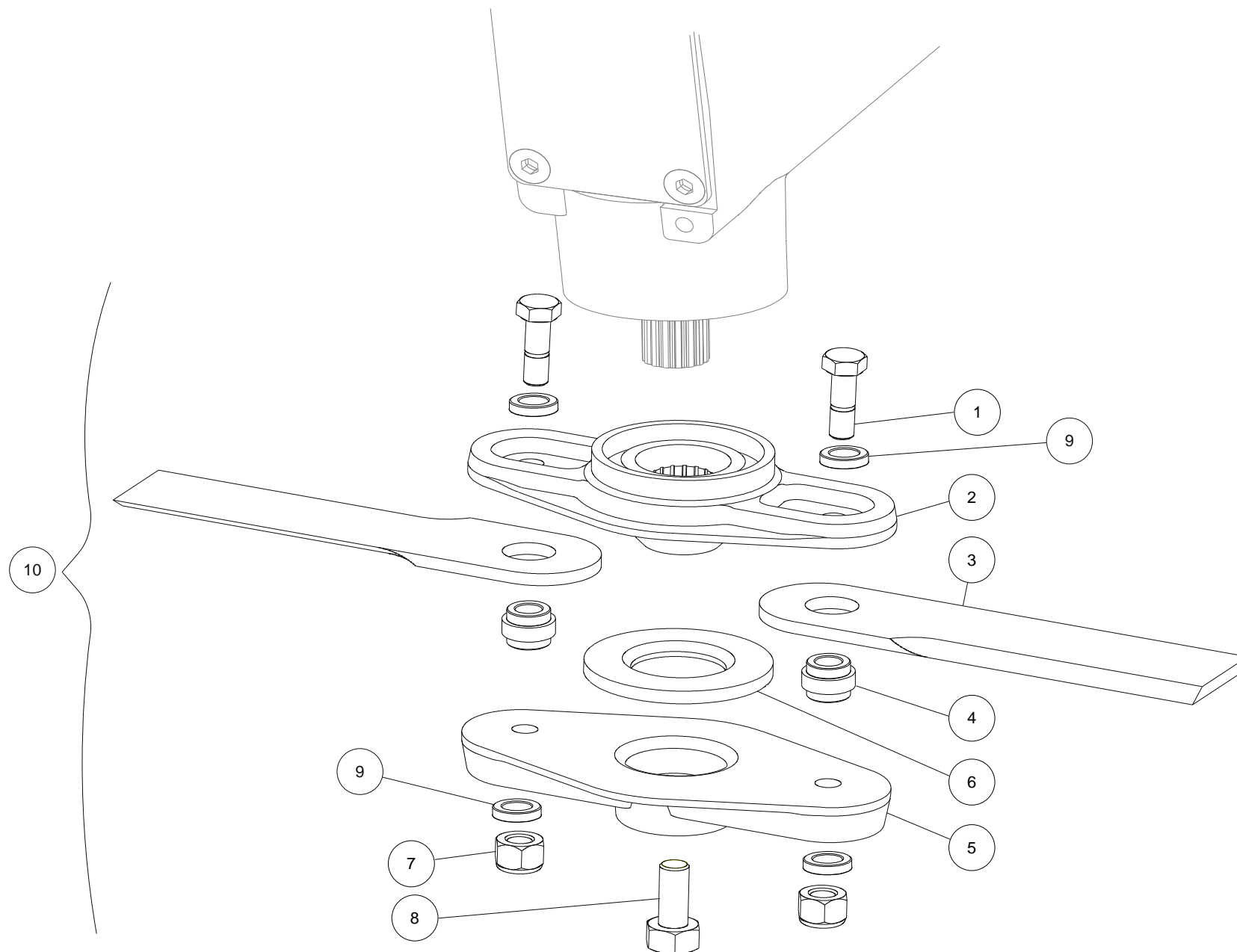
Pos	Code	Descrizione	Note	Description	Description	Beschreibung	Descripción
1	04.5065.00	VITE STEI		GRUB SCREW	GOUPILLE	NUT	TORNILLO
2	04.5046.00	ANELLO ELASTICO	E25X1.5	CIRCLIP	CIRCLIP	SICHERUNGSRING	ANILLO ELASTICO
3	04.5056.00	KIT SPESSORI REGISTRABILI	35.3X25.6	SPACER WASHER KIT	JEU RONDELLE ECARTEMENT	DISTANZSCHEIBE	JUEGO ARANDELLA DISTANCIADORA
4	04.5059.00	SPINA	10X30	PIN	GOUPILLE	PIVOTE	NUT
5	04.5057.00	LEVA		LEVER	LEVIER	HEBEL	PALANCA
6	04.5058.00	O-RING		O-RING	O-RING	O-RING	O-RING
7	PMF-000147	VITE TE	M8X20	HEXAGONAL SCREW	VIS SIX PANS	SECHSKANTSCHRAUBE	TORNILLO
8	04.5061.01	LEVA		LEVER	LEVIER	HEBEL	PALANCA
9	04.5060.00	MANIGLIA		STRAP	MANILLE	HANDGRIFF	MANIJA
10	04.5055.00	MOLLA		COMPRESS SPRING	RESSORT	DRUCKFEDER	MUELLE
11	04.5053.00	INGRANAGGIO		GEAR	ROUE DENTEE	STINRAD	ENGRANAJE
12	PMF-000097	TAPPO	62X10	COVER	COUVERCLE	DECKEL	COPERTURA
13	PMF-000118	ANELLO ELASTICO	I 62X2	CIRCLIP	CIRCLIP	SICHERUNGSRING	ANILLO ELASTICO
14	M1-80156	KIT SPESSORI REGISTRABILI	55.3X61.7	SPACER WASHER KIT	JEU RONDELLE ECARTEMENT	DISTANZSCHEIBE	JUEGO ARANDELLA DISTANCIADORA
15	PMS-000023	CUSCINETTO A SFERE		BALL BEARING	ROULEMENT A BILLES	KUGELLAGER	RODAMIENTO DE BOLAS
16	04.5327.00	ALBERO		SHAFT	ARBRE	WELLE	EJE
17	04.5052.00	CUSCINETTO A SFERE		BALL BEARING	ROULEMENT A BILLES	KUGELLAGER	RODAMIENTO DE BOLAS
18	PMF-000306	ANELLO ELASTICO	I 52X2	CIRCLIP	CIRCLIP	SICHERUNGSRING	ANILLO ELASTICO
19	04.5054.00	ALBERO		SHAFT	ARBRE	WELLE	EJE
20	04.5050.00	ANELLO DI TENUTA	25X52X7	SEAL RING	BAGUE D'ETANCHEIT	BACKRING	ANILLO
21	04.5049.00	CUSCINETTO A SFERE		BALL BEARING	ROULEMENT A BILLES	KUGELLAGER	RODAMIENTO DE BOLAS
22	04.5316.00	SPESSORE REGISTRABILE		SPACER WASHER	RONDELLE ECARTMENT	DISTANZSCHEIBE	ARANDELLA DISTANCIADORA
23	PMF-000115	ANELLO DI TENUTA	30X62X7	SEAL RING	BAGUE D'ETANCHEIT	BACKRING	ANILLO
24	04.5328.00	INGRANAGGIO		GEAR	ROUE DENTEE	STINRAD	ENGRANAJE
25	M1-80143	PIGNONE CONICO		SPROCKET	PIGNON CONIQUE	KEGELRAD	PIÑÓN
26	PMS-000021	CUSCINETTO A SFERE		BALL BEARING	ROULEMENT A BILLES	KUGELLAGER	RODAMIENTO DE BOLAS



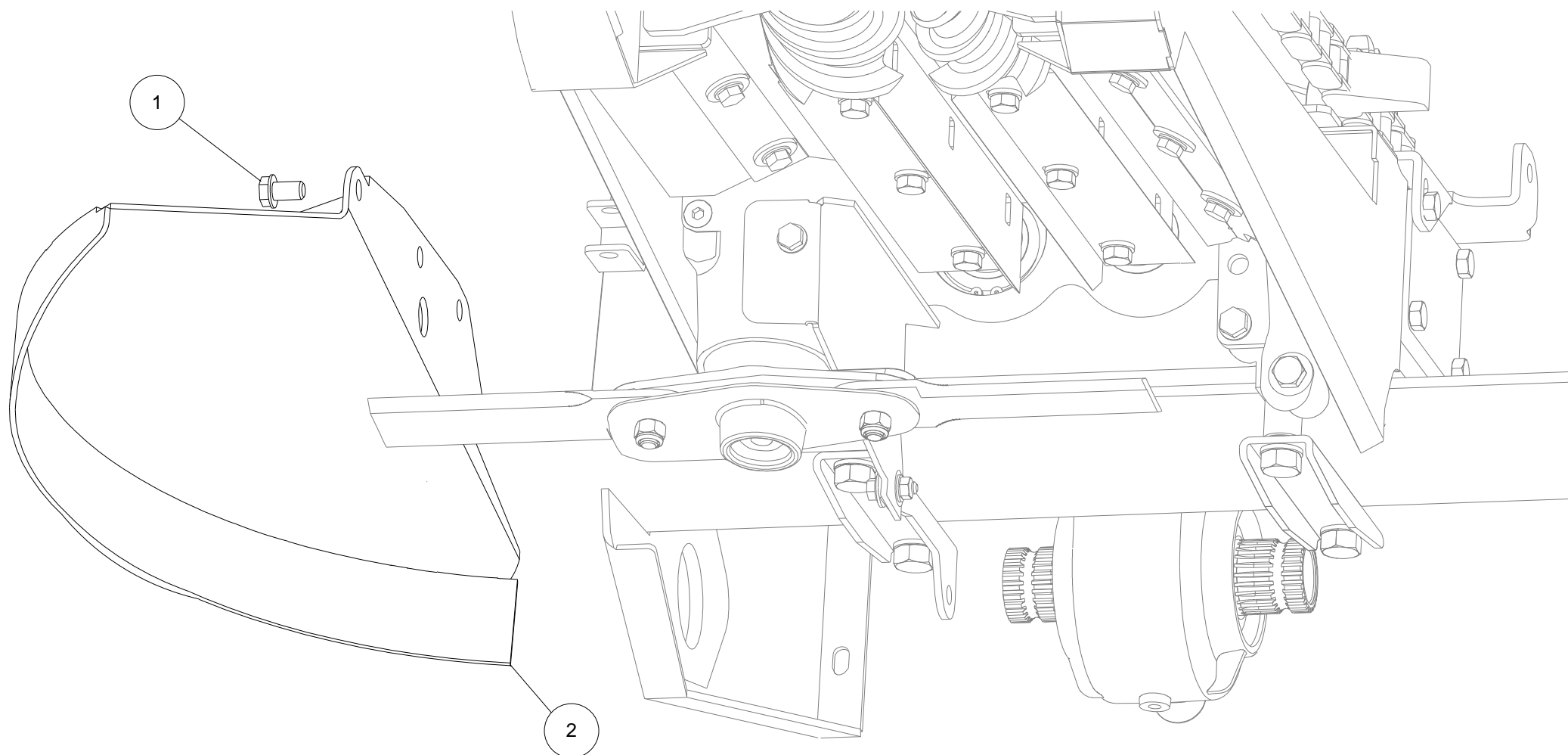
Pos	Code	Descrizione	Note	Description	Description	Beschreibung	Descripcìon
27	M1-80157	KIT SPESSORI REGISTRABILI	35.3X48X1	SPACER WASHER KIT	JEU RONDELLE ECARTEMENT	DISTANZSCHEIBE	JUEGO ARANDELLA DISTANCIADORA
28	04.5025.00	ALBERO		SHAFT	ARBRE	WELLE	EJE
29	04.5109.00	INGRANAGGIO		GEAR	ROUE DENTEE	STINRAD	ENGRANAJE
30	PMF-000048	ANELLO ELASTICO	E 45X1.75	CIRCLIP	CIRCLIP	SICHERUNGSRING	ANILLO ELASTICO
31	PMF-000114	ANELLO DI TENUTA	45X80X10	SEAL RING	BAGUE D'ETANCHEIT	BACKRING	ANILLO
32	04.5022.00	CUSCINETTO A SFERE		BALL BEARING	ROULEMENT A BILLES	KUGELLAGER	RODAMIENTO DE BOLAS
33	04.5092.00	RONDELLA		WASHER	RONDELLE	SCHEIBE	ARANDELLA
34	PMF-000121	ANELLO ELASTICO	I 80X2.5	CIRCLIP	CIRCLIP	SICHERUNGSRING	ANILLO ELASTICO



Pos	Code	Descrizione	Note	Description	Description	Beschreibung	Descripcìon
1	PMF-000370	VITE TE	M14X30	HEXAGONAL SCREW	VIS SIX PANS	SECHSKANTSCHRAUBE	TORNILLO
2	PMF-000024	DADO AUTOBLOCCANTE	M12	SECURING NUT	ECROU INDESSERRAB	SICHERUNGSMUTTER	CONTRATUERCA
3	M1-80274	ROTORE INFERIORE		LOWER CHOPPER	BROYEUR INFERIEUR	HINTERPFLUECKERHAECKSLER	PICADOR
4	03.2021.01	COLTELLO TRINCIASTOCCHI		KNIFE	COUTEAU	HACHSLERMESSER	CUCHILLO
5	M1-80270	BOCCOLA		BUSHING	DOUILLE	BÜCHSE	HEVILLA
6	M1-80273	ROTORE SUPERIORE		UPPER CHOPPER	BROYEUR SUPERIEUR	HINTERPFLUECKERHAECKSLER	PICADOR
7	PMF-000730	VITE TE	M12X40	HEXAGONAL SCREW	VIS SIX PANS	SECHSKANTSCHRAUBE	TORNILLO
8	M1-80124	RONDELLA		WASHER	RONDELLE	SCHEIBE	ARANDELLA
9	01.3592.01	ROTORE TRINCIASTOCCHI		STALK CHOPPER	BROYEUR SOUS COEILLEUR	HINTERPFLUECKERHAECKSLER	PICADOR DE ZUROS



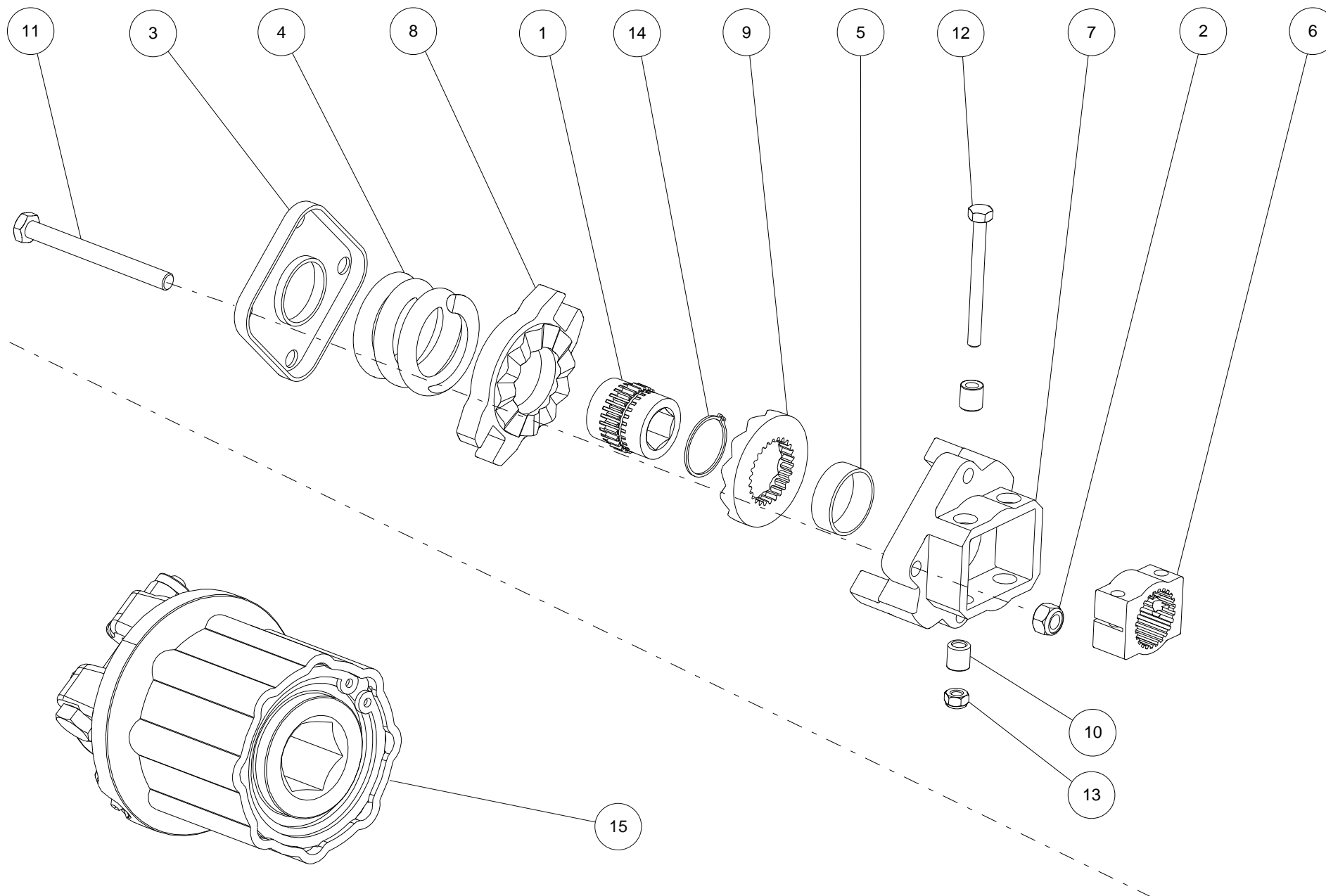
Pos	Code	Descrizione	Note	Description	Description	Beschreibung	Descripción
1	PMF-000730	VITE TE	M12X40	HEXAGONAL SCREW	VIS SIX PANS	SECHSKANTSCHRAUBE	TORNILLO
2	M1-80271	ROTORE SUPERIORE		UPPER CHOPPER	BROYEUR SUPERIEUR	HINTERPFLUECKERHAECKSLER	PICADOR
3	03.2021.01	COLTELLO TRINCIASTOCCHI		KNIFE	COUTEAU	HACHSLERMESSER	CUCHILLO
4	M1-80126	RONDELLA		WASHER	RONDELLE	SCHEIBE	ARANDELLA
5	M1-80272	ROTORE INFERIORE		LOWER CHOPPER	BROYEUR INFERIEUR	HINTERPFLUECKERHAECKSLER	PICADOR
6	M1-80063	DISTANZIALE		SPACER	EPAISSEUR	DISTANZSCHEIBE	ESPACIADOR
7	PMF-000024	DADO AUTOBLOCCANTE	M12	SECURING NUT	ECROU INDESSERRAB	SICHERUNGSMUTTER	CONTRATUERCA
8	PMF-000370	VITE TE	M14X30	HEXAGONAL SCREW	VIS SIX PANS	SECHSKANTSCHRAUBE	TORNILLO
9	M1-80124	RONDELLA		WASHER	RONDELLE	SCHEIBE	ARANDELLA
10	01.3593.01	ROTORE TRINCIASTOCCHI		STALK CHOPPER	BROYEUR SOUS COEILLEUR	HINTERPFLUECKERHAECKSLER	PICADOR DE ZUROS



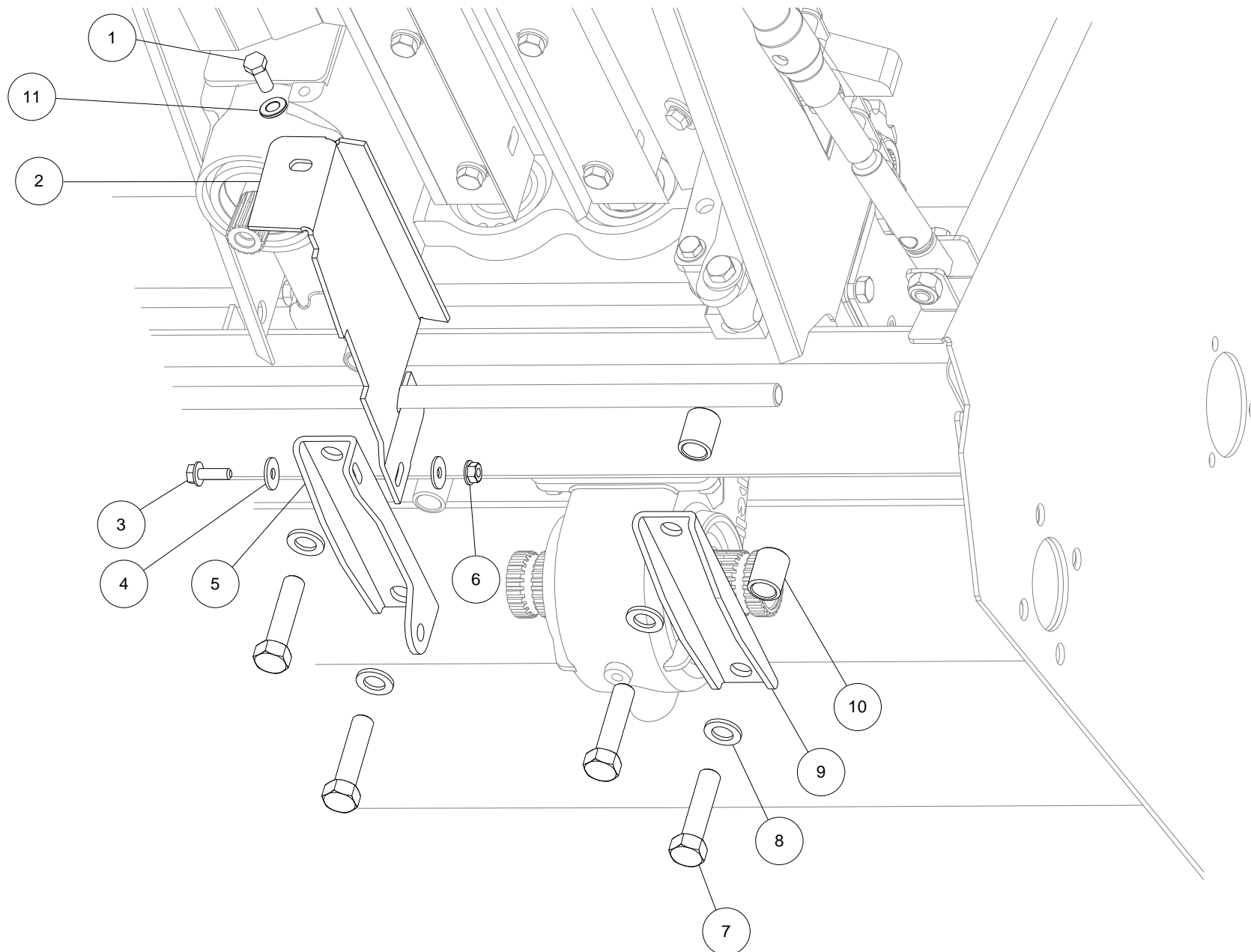
Pos	Code	Descrizione	Note	Description	Description	Beschreibung	Descripción
1	PMF-000045	VITE TENSILOCK	M12X20	SECURING SCREW TENSILOCK	VIS TENSILOCK	SCHRAUBE TENSILOCK	TORNILLO TENSILOCK
2	03.4123.02	PROTEZIONE TRINCIASTOCCHI		GUARD	GARANT	SCHUTZ	PROTECCION

CLUTCH

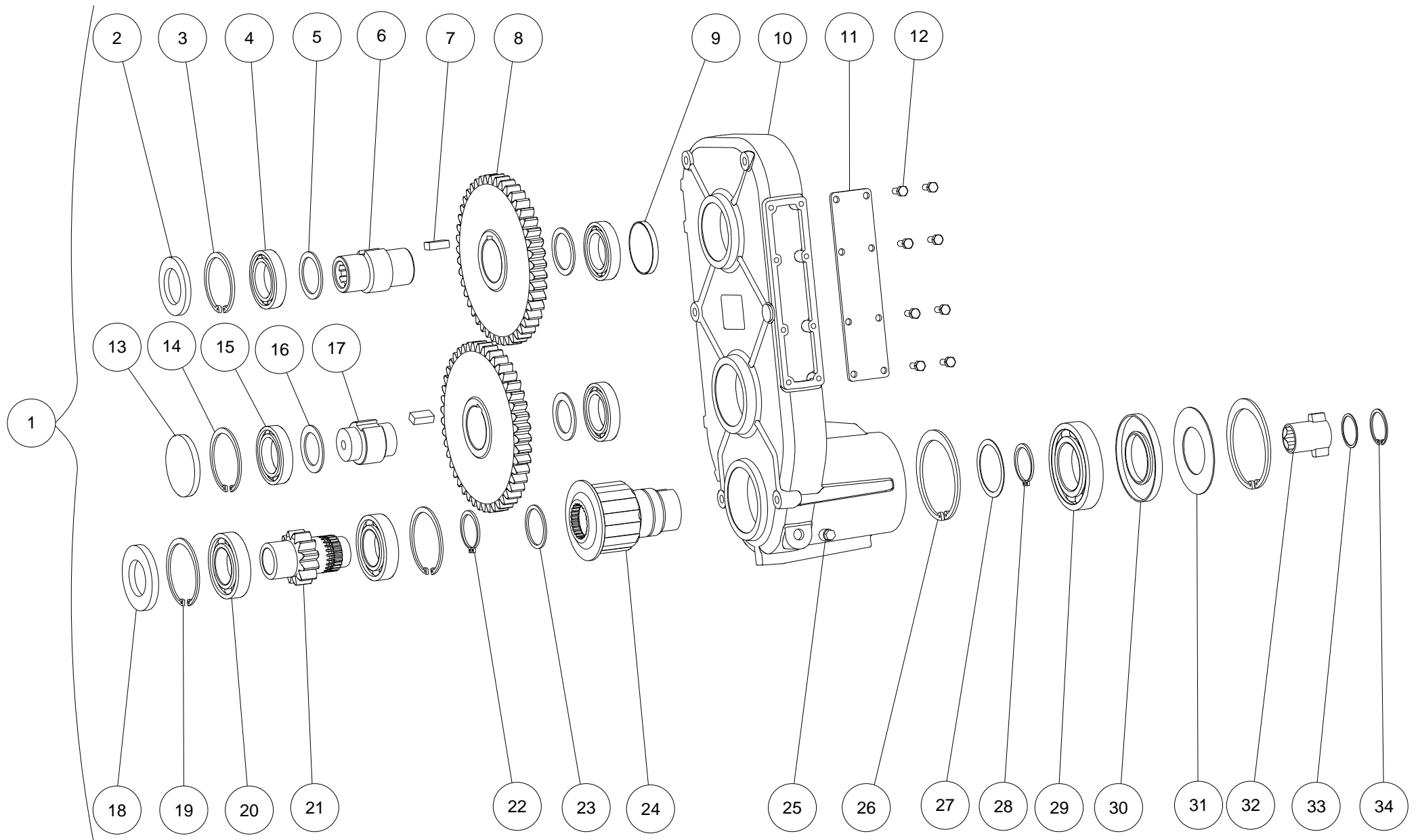
LIMITATORE DI COPPIA



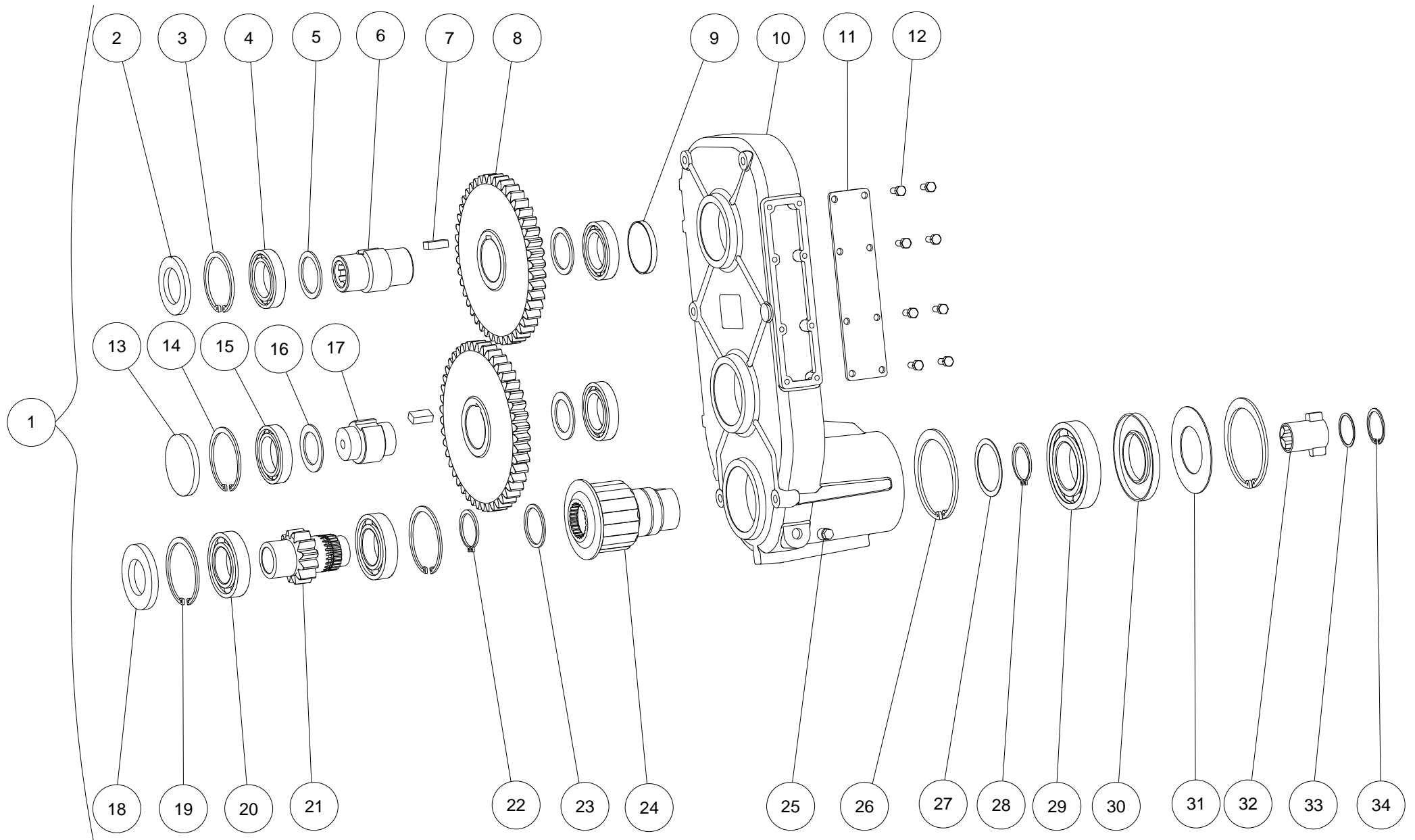
Pos	Code	Descrizione	Note	Description	Description	Beschreibung	Descripcìon
1	04.5114.01	BOCCOLA		BUSHING	DOUILLE	BÜCHSE	HEVILLA
2	PMF-000024	DADO AUTOBLOCCANTE	M12	SECURING NUT	ECROU INDESSERRAB	SICHERUNGSMUTTER	CONTRATUERCA
3	04.5136.01	PIASTRA		PLATE	PLAQUE	PLATTE	PLACA
4	04.5001.00	MOLLA		COMPRESS SPRING	RESSORT	DRUCKFEDER	MUELLE
5	04.5100.00	BOCCOLA		BUSHING	DOUILLE	BÜCHSE	HEVILLA
6	04.5111.00	ATTACCO FRIZIONE		CLAMPING PIECE	COSSE MACHOIRES	KUPPLUNG	EMBRAGUE
7	04.5137.01	FLANGIA LIMITATORE DI COPPIA		CLAMP FLANGE	BRIDE DE SERRAGE	KUPPLUNG	EMBRAGUE
8	04.5115.00	DISCO DENTATO		CLUTCH PLATE	DISQUE EMBRAYAGE	DECKSCHEIBE	EMBRAGUE
9	04.5116.00	DISCO DENTATO		CLUTCH PLATE	DISQUE EMBRAYAGE	DECKSCHEIBE	EMBRAGUE
10	04.5118.01	BOCCOLA		BUSHING	DOUILLE	BÜCHSE	HEVILLA
11	PMF-000476	VITE TE	M14X140	HEXAGONAL SCREW	VIS SIX PANS	SECHSKANTSCHRAUBE	TORNILLO
12	PMF-000185	VITE TE	M10X110	HEXAGONAL SCREW	VIS SIX PANS	SECHSKANTSCHRAUBE	TORNILLO
13	PMF-000068	DADO AUTOBLOCCANTE	M10	SECURING NUT	ECROU INDESSERRAB	SICHERUNGSMUTTER	CONTRATUERCA
14	PMF-000011	ANELLO ELASTICO	E 50X2	CIRCLIP	CIRCLIP	SICHERUNGSRING	ANILLO ELASTICO
15	03.4920.00	LIMITATORE		CLUTCH	EMBRAYAGE	KUPPLUNG	EMBRAGUE



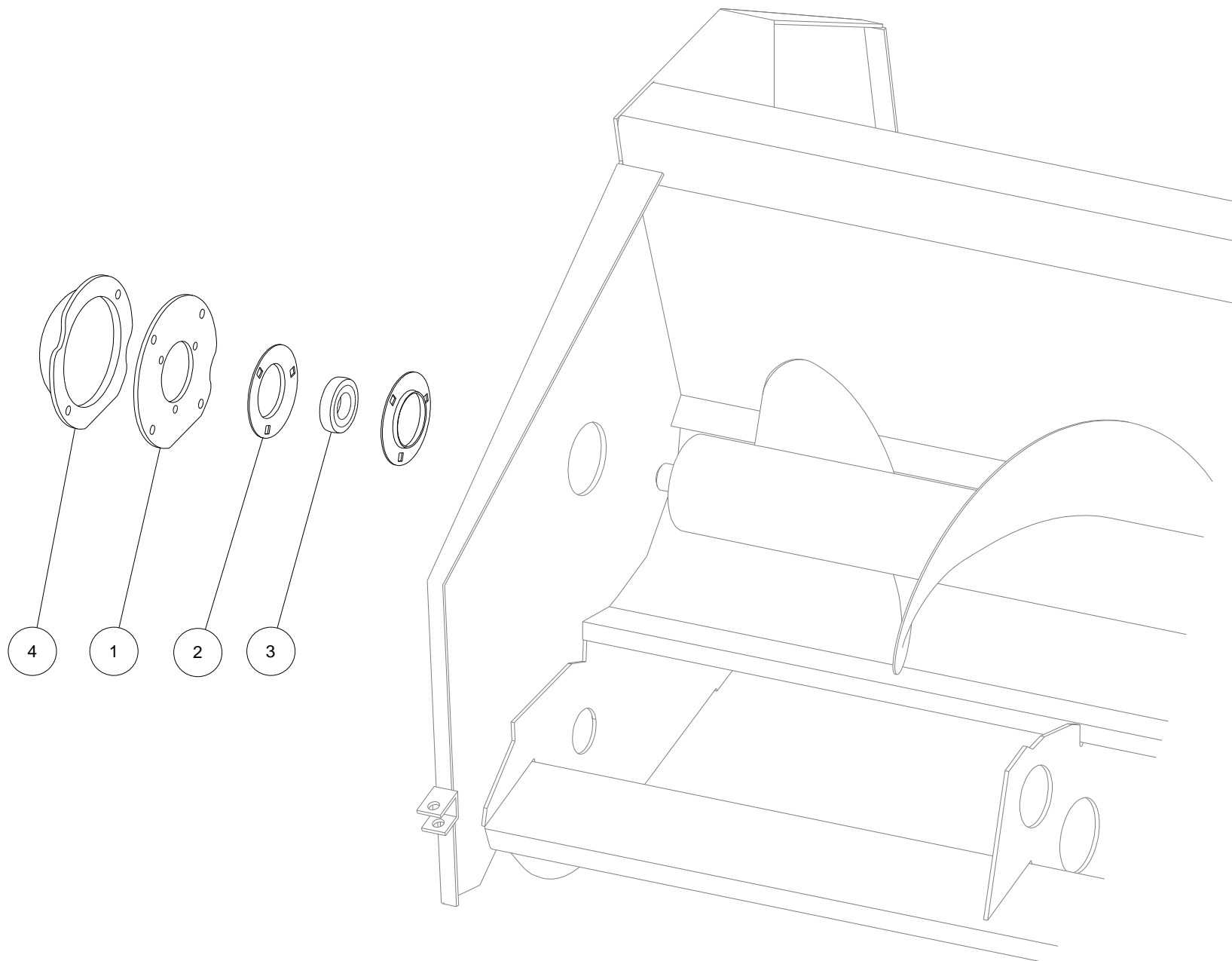
Pos	Code	Descrizione	Note	Description	Description	Beschreibung	Descripcìon
1	PMF-000186	VITE TE	M10X25	HEXAGONAL SCREW	VIS SIX PANS	SECHSKANTSCHRAUBE	TORNILLO
2	01.1277.01	RASAMENTO TRINCIASTOCCHI		STRIPPER KNIFE	LAME RACLEUSE	ABSTREIFMESSER	RASCADOR
3	PMF-000041	VITE TENSILOCK	M8X25	SECURING SCREW TENSILOCK	VIS TENSILOCK	SCHRAUBE TENSILOCK	TORNILLO TENSILOCK
4	PMF-000074	RONDELLA	8.4X24X2	WASHER	RONDELLE	SCHEIBE	ARANDELLA
5	01.1276.00	STAFFA DESTRA		RIGHT BRACKET	SUPPORT DROITE	BUEGEL RECHTS	SOPORTE DERECHO
6	PMF-000016	DADO TENSILOCK	M8	SECURING NUT TENSILOCK	ECROU TENSILOCK	SICHERUNGSMUTTER TENSILOCK	CONTRATUERCA TENSILOCK
7	PMF-000189	VITE TE	M16X65	HEXAGONAL SCREW	VIS SIX PANS	SECHSKANTSCHRAUBE	TORNILLO
8	PMF-000437	RONDELLA	17X30X3	WASHER	RONDELLE	SCHEIBE	ARANDELLA
9	01.0159.00	STAFFA		SUPPORT	SUPPORT	BUEGEL	SOPORTE
10	01.0160.00	DISTANZIALE		SPACER	EPAISSEUR	DISTANZSCHEIBE	ESPACIADOR
11	PMF-000105	RONDELLA	10.5X20X2	WASHER	RONDELLE	SCHEIBE	ARANDELLA



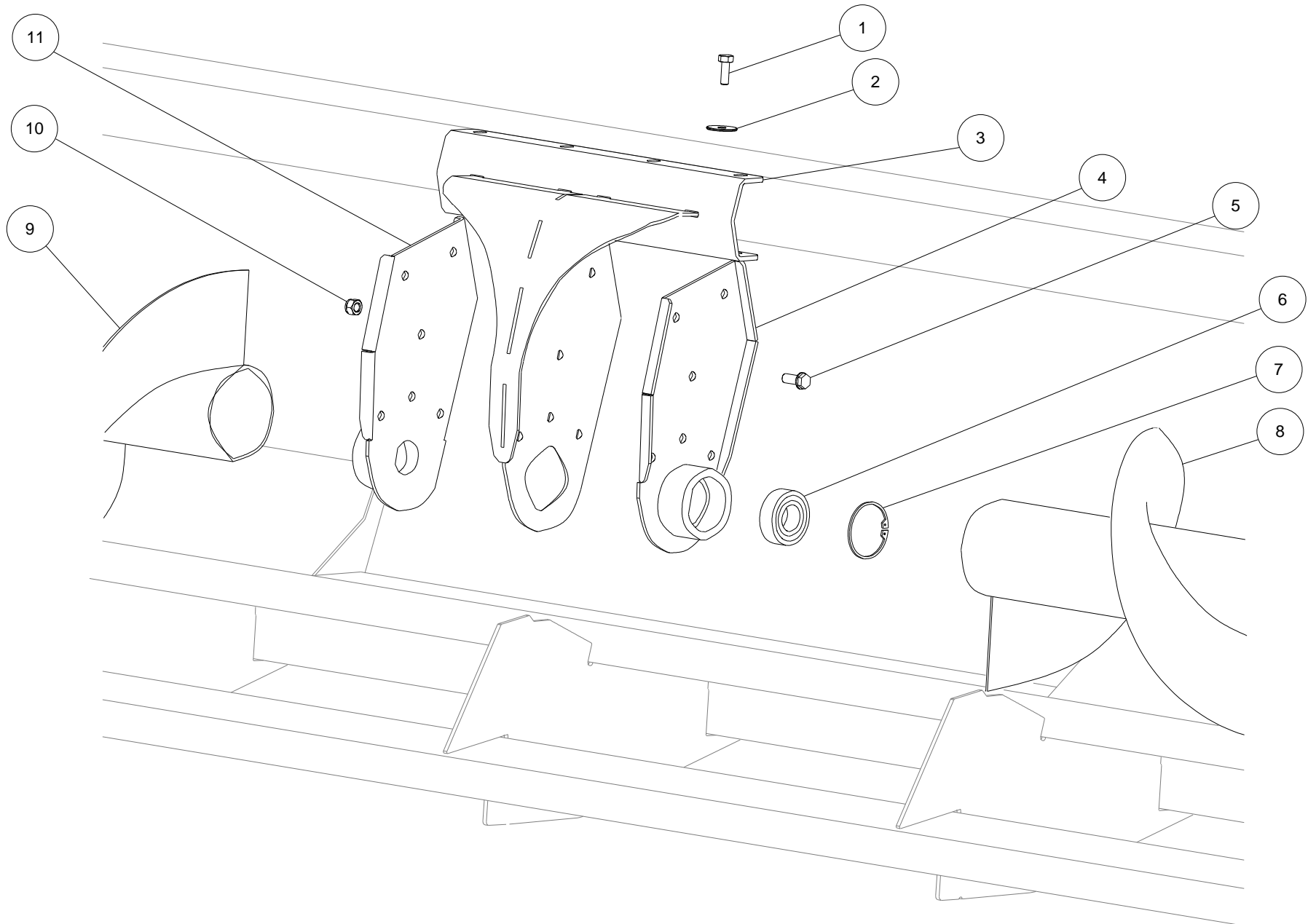
Pos	Code	Descrizione	Note	Description	Description	Beschreibung	Descripció
1	M1-20060	SCATOLA DI TRASMISSIONE		GEARBOX	BOITIER D'ENTRAINEMENT	GETRIEBE	CAJA ENGRANAJE
2	PMF-000148	ANELLO DI TENUTA	50X80X8	SEAL RING	BAGUE D'ETANCHEIT	BACKRING	ANILLO
3	PMF-000152	ANELLO ELASTICO	I 80X4	CIRCLIP	CIRCLIP	SICHERUNGSRING	ANILLO ELASTICO
4	PMS-000022	CUSCINETTO A SFERE		BALL BEARING	ROULEMENT A BILLES	KUGELLAGER	RODAMIENTO DE BOLAS
5	M1-20071	DISTANZIALE		SPACER	EPAISSEUR	DISTANZSCHEIBE	ESPACIADOR
6	M1-20064	ALBERO		SHAFT	ARBRE	WELLE	EJE
7	PMT-000045	LINGUETTA	16X10X30	KNOTTER TONGUE	LANGUETTE	KNOTERERZUNGE	LENGUETA
8	M1-20063	CORONA CILINDRICA	Z 45	BEVEL GEAR INNER	ROUE DENTEE	STINRAD	ENGRANAGE
9	PMF-000149	ANELLO DI TENUTA	50X72X8	SEAL RING	BAGUE D'ETANCHEIT	BACKRING	ANILLO
10	M1-20062	SCATOLA DI TRASMISSIONE		GEARBOX	BOITIER D'ENTRAINEMENT	GETRIEBE	CAJA ENGRANAJE
11	M1-20069	COPERTURA		COVER	COUVERTURE	DECKEL	COBERTURA
12	PMF-000147	VITE TE	M8X20	HEXAGONAL SCREW	VIS SIX PANS	SECHSKANTSCHRAUBE	TORNILLO
13	PMF-000116	TAPPO	85X10	COVER	COUVERCLE	DECKEL	COPERTURA
14	PMF-000086	ANELLO ELASTICO	E 85X3	CIRCLIP	CIRCLIP	SICHERUNGSRING	ANILLO ELASTICO
15	PMS-000024	CUSCINETTO A SFERE		BALL BEARING	ROULEMENT A BILLES	KUGELLAGER	RODAMIENTO DE BOLAS
16	M1-20072	SPESSORE REGISTRABILE	65.3X45.3X2.5	SPACER WASHER	RONDELLE ECARTEMENT	DISTANZSCHEIBE	ARANDELLA DISTANCIADORA
17	M1-20066	ALBERO		SHAFT	ARBRE	WELLE	EJE
18	PMF-000151	ANELLO DI TENUTA	50X90X10	SEAL RING	BAGUE D'ETANCHEIT	BACKRING	ANILLO
19	PMF-000124	ANELLO ELASTICO	I 90X3	CIRCLIP	CIRCLIP	SICHERUNGSRING	ANILLO ELASTICO
20	PMS-000031	CUSCINETTO A SFERE		BALL BEARING	ROULEMENT A BILLES	KUGELLAGER	RODAMIENTO DE BOLAS
21	M1-20065	ALBERO		SHAFT	ARBRE	WELLE	EJE
22	02.4440.00	ANELLO ELASTICO	E 50X3	CIRCLIP	CIRCLIP	SICHERUNGSRING	ANILLO ELASTICO
23	M1-20074	SPESSORE REGISTRABILE	50.2X59.8X2.5	SPACER WASHER	RONDELLE ECARTEMENT	DISTANZSCHEIBE	ARANDELLA DISTANCIADORA
24	M1-20067	LIMITATORE		CLUTCH	EMBAYAGE	KUPPLUNG	EMBRAGUE
25	04.4511.00	TAPPO OLIO		SCREW PLUG	BOUCHON FILETEE	VERSCHL SCHAUBE	TAPON ROSCADO
26	PMF-000153	ANELLO ELASTICO	I 120X4	CIRCLIP	CIRCLIP	SICHERUNGSRING	ANILLO ELASTICO



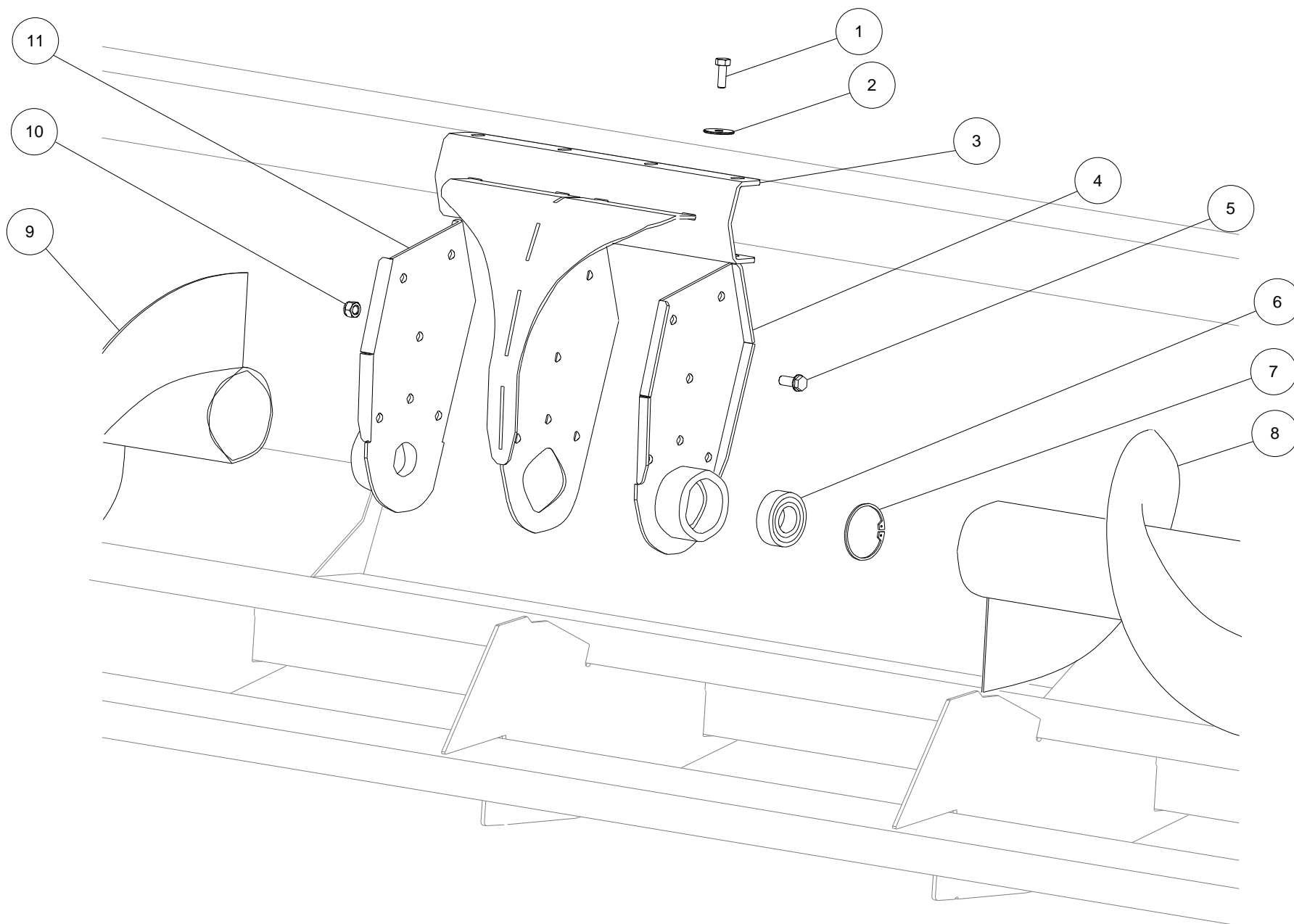
Pos	Code	Descrizione	Note	Description	Description	Beschreibung	Descripción
27	M1-20073	SPESSORE REGISTRABILE	65.3X79.7X1	SPACER WASHER	RONDELLE ECARTEMENT	DISTANZSCHEIBE	ARANDELLA DISTANCIADORA
28	PMF-000154	ANELLO ELASTICO	E 65X2.5	CIRCLIP	CIRCLIP	SICHERUNGSRING	ANILLO ELASTICO
29	PMS-000032	CUSCINETTO A SFERE		BALL BEARING	ROULEMENT A BILLES	KUGELLAGER	RODAMIENTO DE BOLAS
30	PMF-000150	ANELLO DI TENUTA	65X120X10	SEAL RING	BAGUE D'ETANCHEIT	BACKRING	ANILLO
31	M1-20070	DISCO DI SPALLAMENTO		RING	BAGUE	RING	ANILLO
32	M1-20068	BOCCOLA		BUSHING	DOUILLE	BÜCHSE	HEVILLA
33	M1-20075	SPESSORE REGISTRABILE	40.3X46.7X1	SPACER WASHER	RONDELLE ECARTEMENT	DISTANZSCHEIBE	ARANDELLA DISTANCIADORA
34	PMF-000006	ANELLO ELASTICO	I 47X1.75	CIRCLIP	CIRCLIP	SICHERUNGSRING	ANILLO ELASTICO



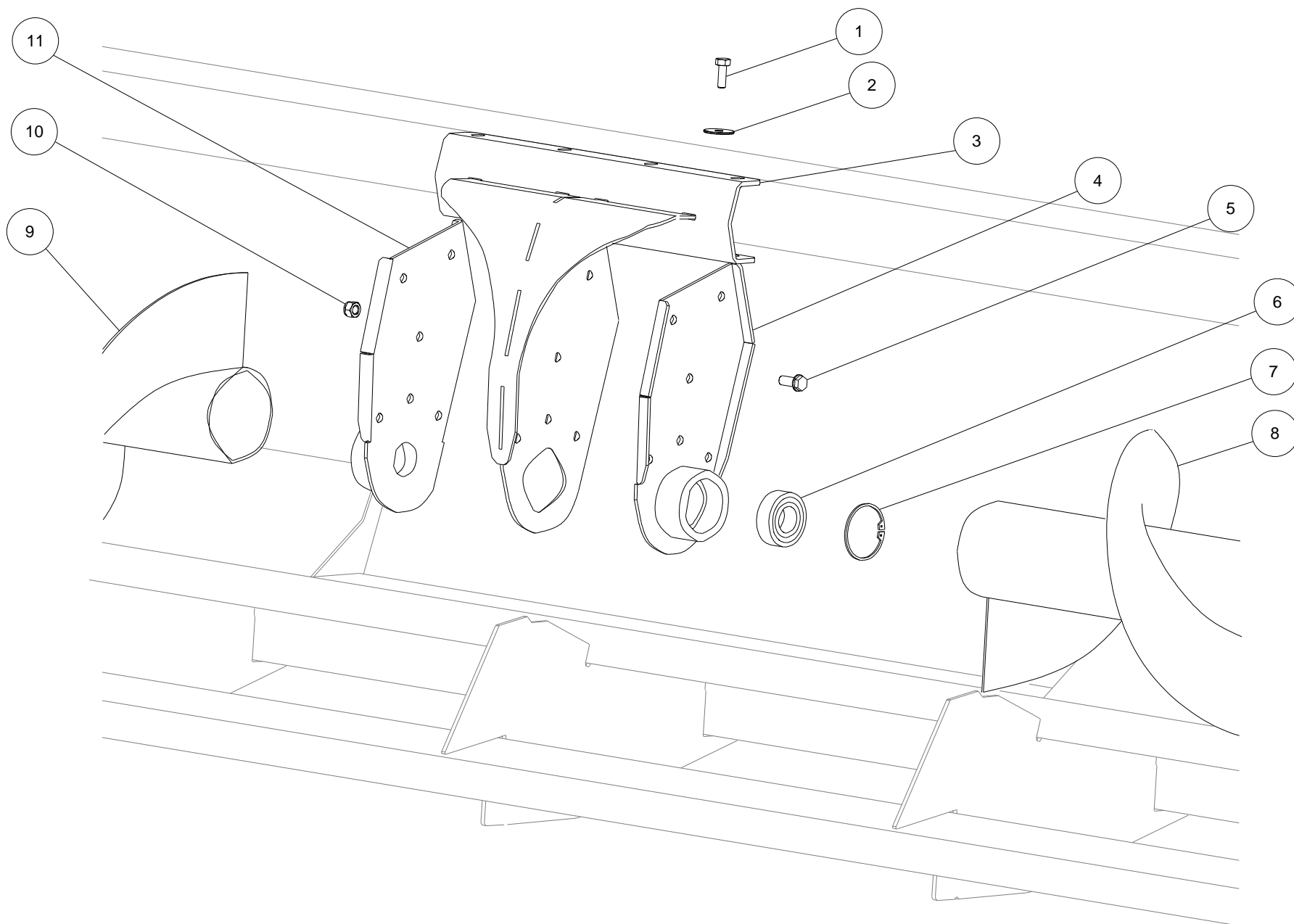
Pos	Code	Descrizione	Note	Description	Description	Beschreibung	Descripcìon
1	01.1135.00	SUPPORTO		SUPPORT	SUPPORT	ABSTUZUNG	SOPORTE
2	PMS-000068	FLANGIA		FLANGE	BRIDE	FLANSCH	PLACA
3	PMS-000065	CUSCINETTO A SFERE		BALL BEARING	ROULEMENT A BILLES	KUGELLAGER	RODAMIENTO DE BOLAS
4	01.2124.00	COPERTURA		COVER	COUVERTURE	DECKEL	COBERTURA



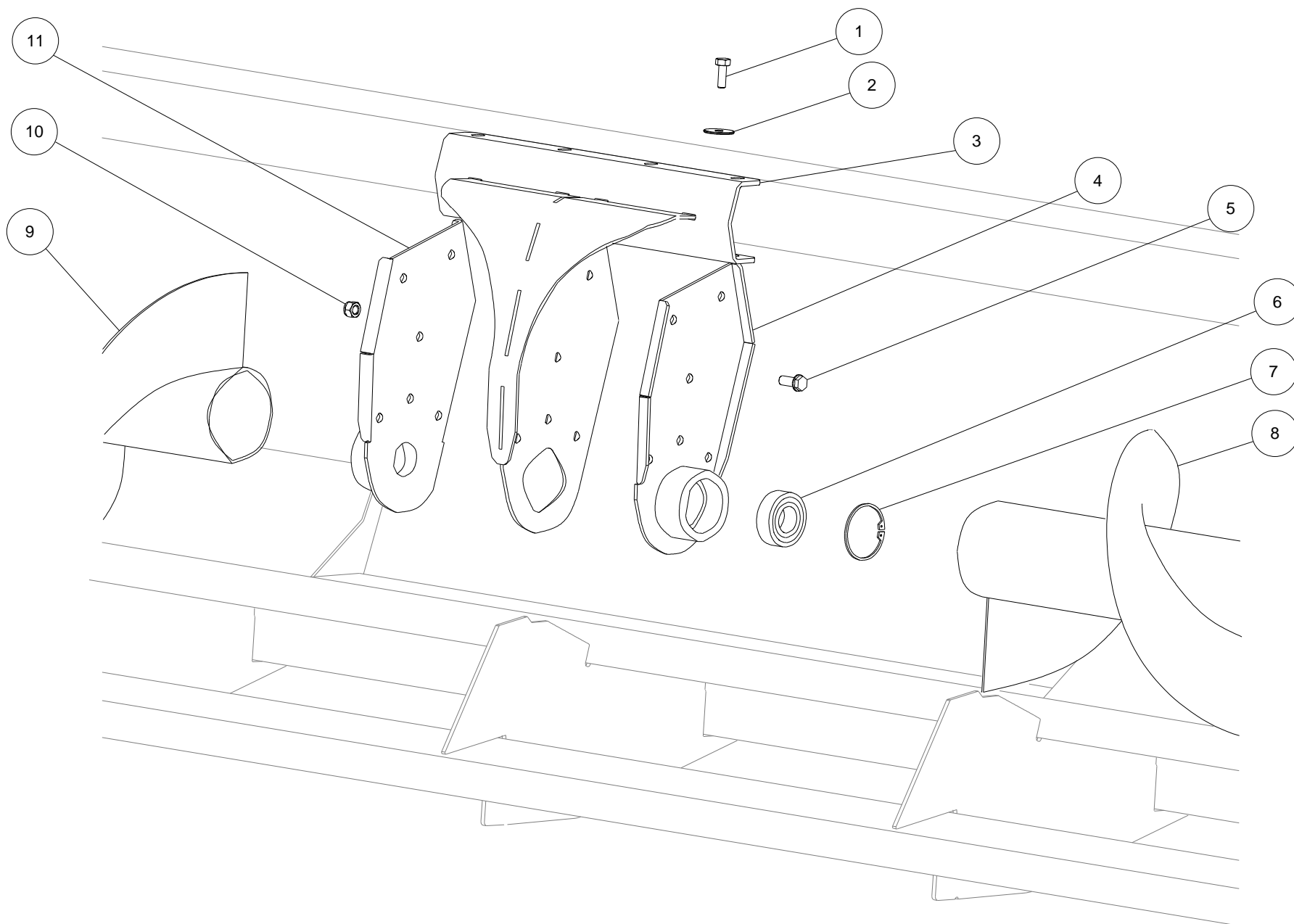
Pos	Code	Descrizione	Note	Description	Description	Beschreibung	Descripcìon
1	PMF-000132	VITE TE	M10X30	HEXAGONAL SCREW	VIS SIX PANS	SECHSKANTSCHRAUBE	TORNILLO
2	02.1036.00	RONDELLA	10X40X2,5	WASHER	RONDELLE	SCHEIBE	ARANDELLA
3	01.0661.00	PIASTRA		PLATE	PLAQUE	PLATTE	PLACA
4	01.0512.00	FLANGIA SINISTRA		LEFT PLATE	PLAQUE GAUCHE	PLATTE LINKS	PLACA IZQUIERDA
5	PMF-000042	VITE TENSILOCK	M12X30	SECURING SCREW TENSILOCK	VIS TENSILOCK	SCHRAUBE TENSILOCK	TORNILLO TENSILOCK
6	PMS-000013	CUSCINETTO A SFERE		BALL BEARING	ROULEMENT A BILLES	KUGELLAGER	RODAMIENTO DE BOLAS
7	PMF-000022	ANELLO ELASTICO	I 72X2,5	CIRCLIP	CIRCLIP	SICHERUNGSRING	ANILLO ELASTICO
8	03.4793.00	COCLEA	750-LEFT	AUGER	VIS SANS FIN	SCHNECKE	TORNILLO SIN FIN
9	03.4794.00	COCLEA	750-RIGHT	AUGER	VIS SANS FIN	SCHNECKE	TORNILLO SIN FIN
10	PMF-000024	DADO AUTOBLOCCANTE	M12	SECURING NUT	ECROU INDESSERRAB	SICHERUNGSMUTTER	CONTRATUERCA
11	01.0511.00	FLANGIA DESTRA		RIGHT PLATE	PLAQUE DROITE	PLATTE RECHTS	PLACA DERECHA



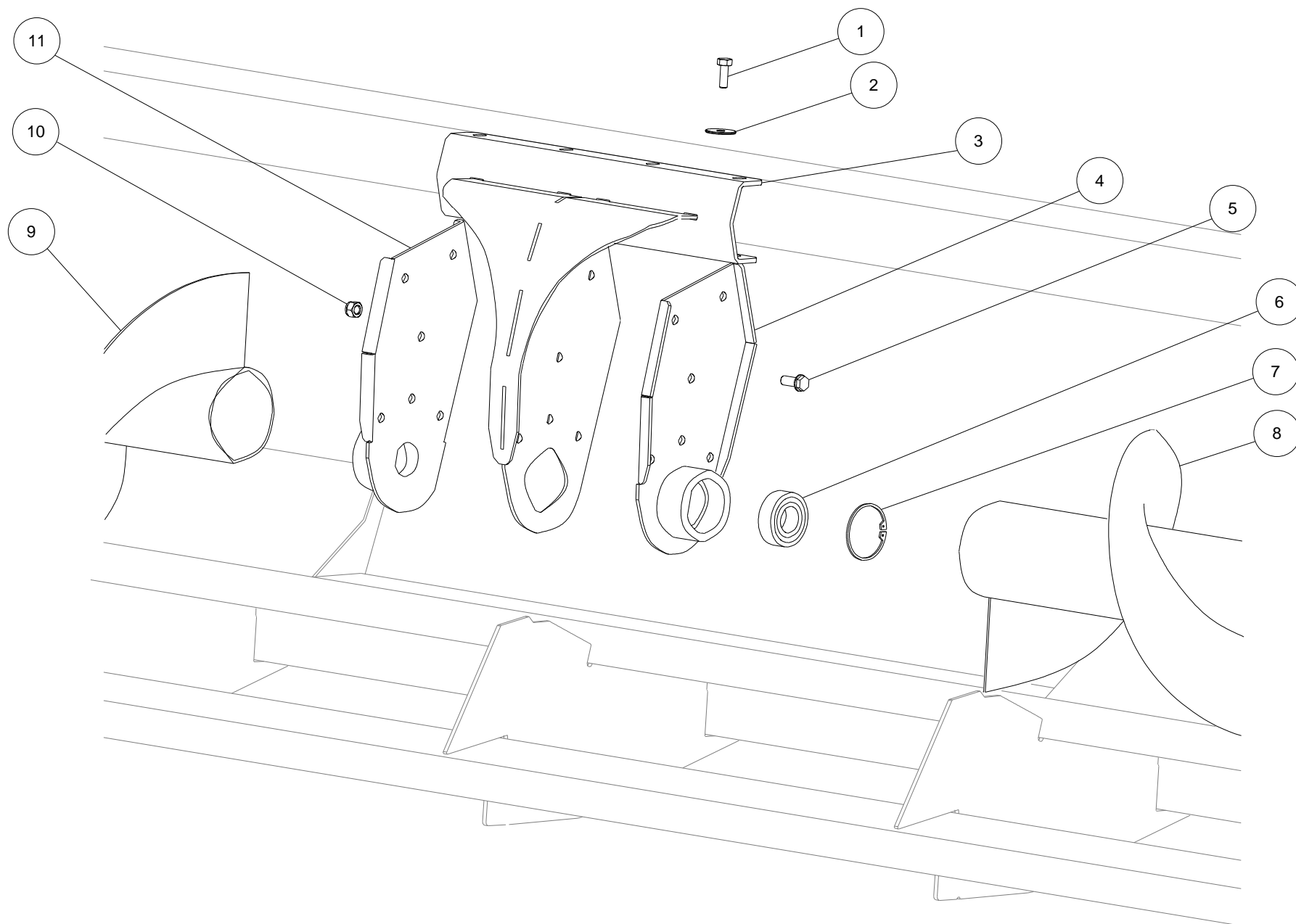
Pos	Code	Descrizione	Note	Description	Description	Beschreibung	Descripcìon
1	PMF-000132	VITE TE	M10X30	HEXAGONAL SCREW	VIS SIX PANS	SECHSKANTSCHRAUBE	TORNILLO
2	02.1036.00	RONDELLA	10X40X2,5	WASHER	RONDELLE	SCHEIBE	ARANDELLA
3	01.0661.00	PIASTRA		PLATE	PLAQUE	PLATTE	PLACA
4	01.0512.00	FLANGIA SINISTRA		LEFT PLATE	PLAQUE GAUCHE	PLATTE LINKS	PLACA IZQUIERDA
5	PMF-000042	VITE TENSILOCK	M12X30	SECURING SCREW TENSILOCK	VIS TENSILOCK	SCHRAUBE TENSILOCK	TORNILLO TENSILOCK
6	PMS-000013	CUSCINETTO A SFERE		BALL BEARING	ROULEMENT A BILLES	KUGELLAGER	RODAMIENTO DE BOLAS
7	PMF-000022	ANELLO ELASTICO	I 72X2,5	CIRCLIP	CIRCLIP	SICHERUNGSRING	ANILLO ELASTICO
8	03.4793.00	COCLEA	750-LEFT	AUGER	VIS SANS FIN	SCHNECKE	TORNILLO SIN FIN
9	03.4794.00	COCLEA	750-RIGHT	AUGER	VIS SANS FIN	SCHNECKE	TORNILLO SIN FIN
10	PMF-000024	DADO AUTOBLOCCANTE	M12	SECURING NUT	ECROU INDESSERRAB	SICHERUNGSMUTTER	CONTRATUERCA
11	01.0511.00	FLANGIA DESTRA		RIGHT PLATE	PLAQUE DROITE	PLATTE RECHTS	PLACA DERECHA



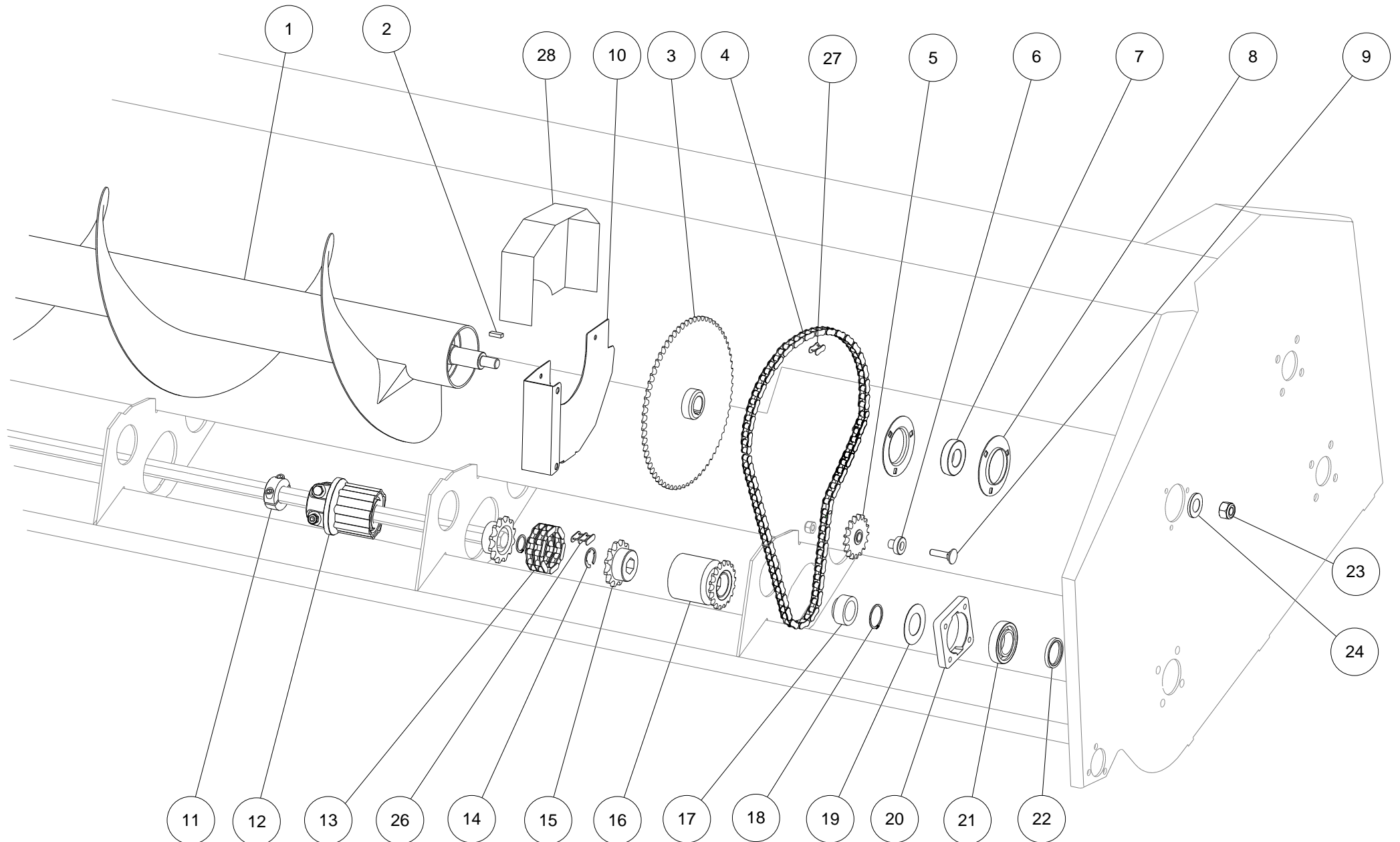
Pos	Code	Descrizione	Note	Description	Description	Beschreibung	Descripcìon
1	PMF-000132	VITE TE	M10X30	HEXAGONAL SCREW	VIS SIX PANS	SECHSKANTSCHRAUBE	TORNILLO
2	02.1036.00	RONDELLA	10X40X2,5	WASHER	RONDELLE	SCHEIBE	ARANDELLA
3	01.0661.00	PIASTRA		PLATE	PLAQUE	PLATTE	PLACA
4	01.0512.00	FLANGIA SINISTRA		LEFT PLATE	PLAQUE GAUCHE	PLATTE LINKS	PLACA IZQUIERDA
5	PMF-000042	VITE TENSILOCK	M12X30	SECURING SCREW TENSILOCK	VIS TENSILOCK	SCHRAUBE TENSILOCK	TORNILLO TENSILOCK
6	PMS-000013	CUSCINETTO A SFERE		BALL BEARING	ROULEMENT A BILLES	KUGELLAGER	RODAMIENTO DE BOLAS
7	PMF-000022	ANELLO ELASTICO	I 72X2,5	CIRCLIP	CIRCLIP	SICHERUNGSRING	ANILLO ELASTICO
8	03.4780.00	COCLEA	RIGHT	AUGER	VIS SANS FIN	SCHNECKE	TORNILLO SIN FIN
9	03.4779.00	COCLEA	LEFT	AUGER	VIS SANS FIN	SCHNECKE	TORNILLO SIN FIN
10	PMF-000024	DADO AUTOBLOCCANTE	M12	SECURING NUT	ECROU INDESSERRAB	SICHERUNGSMUTTER	CONTRATUERCA
11	01.0511.00	FLANGIA DESTRA		RIGHT PLATE	PLAQUE DROITE	PLATTE RECHTS	PLACA DERECHA



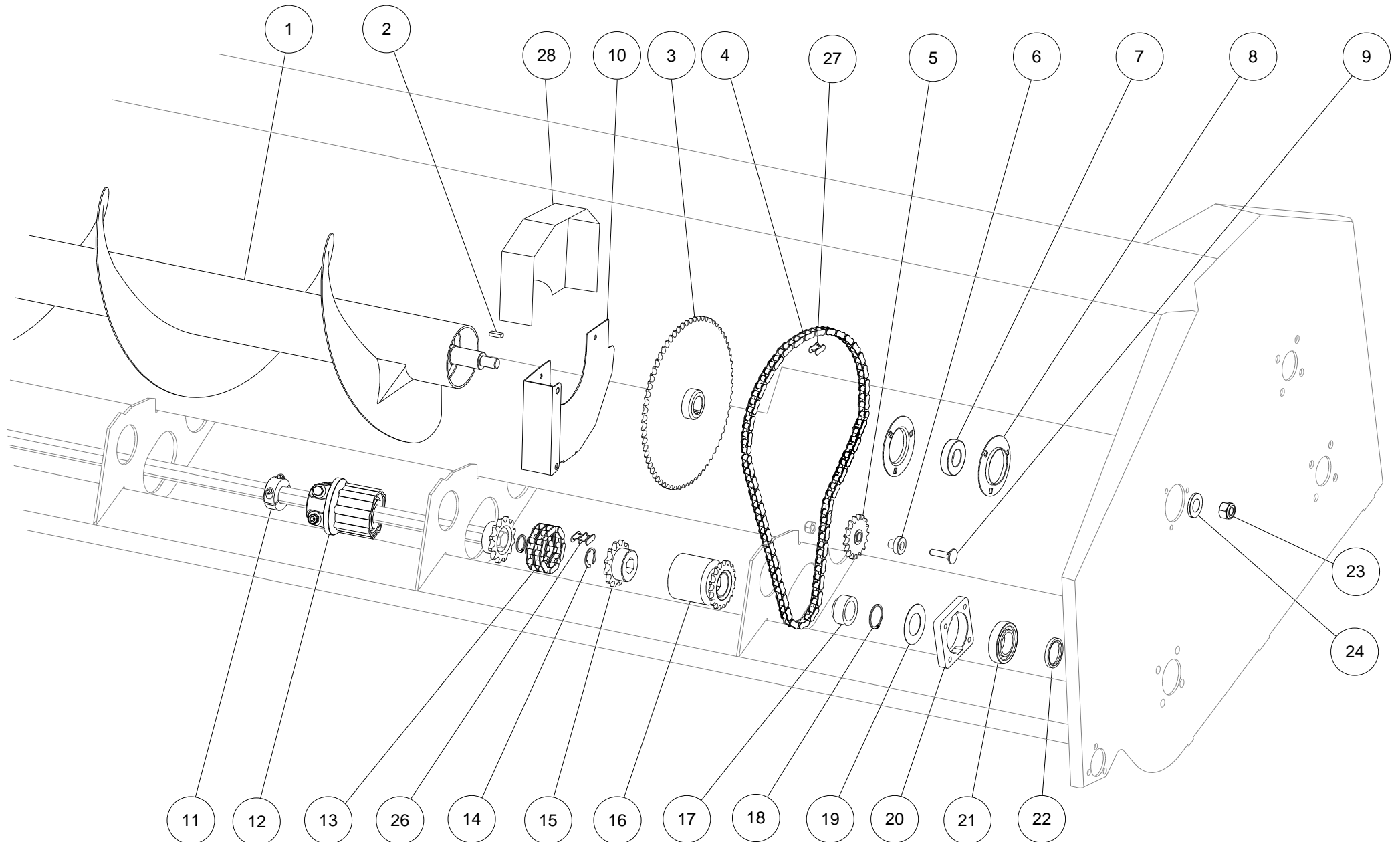
Pos	Code	Descrizione	Note	Description	Description	Beschreibung	Descripción
1	PMF-000132	VITE TE	M10X30	HEXAGONAL SCREW	VIS SIX PANS	SECHSKANTSCHRAUBE	TORNILLO
2	02.1036.00	RONDELLA	10X40X2,5	WASHER	RONDELLE	SCHEIBE	ARANDELLA
3	01.0661.00	PIASTRA		PLATE	PLAQUE	PLATTE	PLACA
4	01.0512.00	FLANGIA SINISTRA		LEFT PLATE	PLAQUE GAUCHE	PLATTE LINKS	PLACA IZQUIERDA
5	PMF-000042	VITE TENSILOCK	M12X30	SECURING SCREW TENSILOCK	VIS TENSILOCK	SCHRAUBE TENSILOCK	TORNILLO TENSILOCK
6	PMS-000013	CUSCINETTO A SFERE		BALL BEARING	ROULEMENT A BILLES	KUGELLAGER	RODAMIENTO DE BOLAS
7	PMF-000022	ANELLO ELASTICO	I 72X2,5	CIRCLIP	CIRCLIP	SICHERUNGSRING	ANILLO ELASTICO
8	03.4775.00	COCLEA	LEFT	AUGER	VIS SANS FIN	SCHNECKE	TORNILLO SIN FIN
9	03.4776.00	COCLEA	RIGHT	AUGER	VIS SANS FIN	SCHNECKE	TORNILLO SIN FIN
10	PMF-000024	DADO AUTOBLOCCANTE	M12	SECURING NUT	ECROU INDESSERRAB	SICHERUNGSMUTTER	CONTRATUERCA
11	01.0511.00	FLANGIA DESTRA		RIGHT PLATE	PLAQUE DROITE	PLATTE RECHTS	PLACA DERECHA



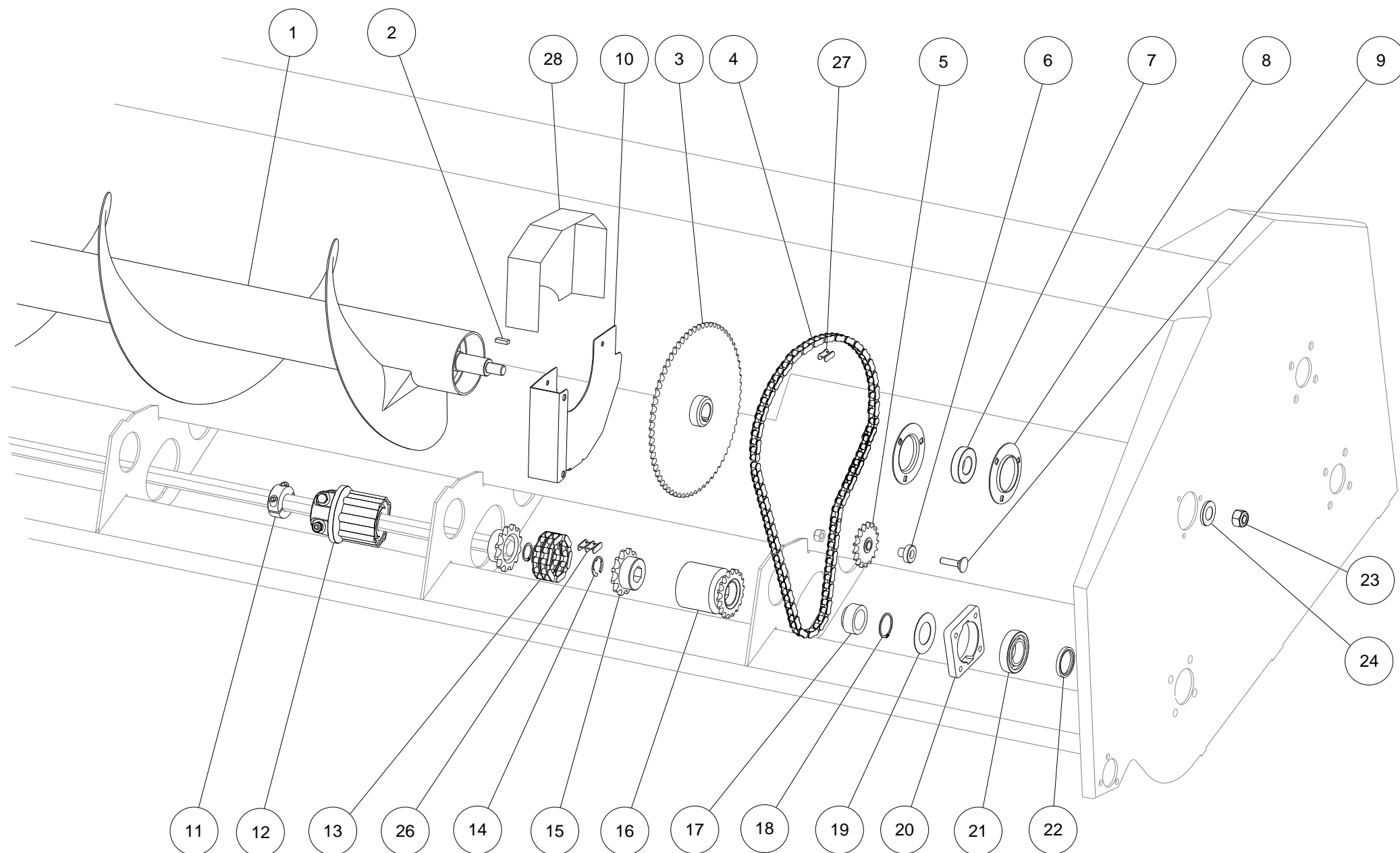
Pos	Code	Descrizione	Note	Description	Description	Beschreibung	Descripcìon
1	PMF-000132	VITE TE	M10X30	HEXAGONAL SCREW	VIS SIX PANS	SECHSKANTSCHRAUBE	TORNILLO
2	02.1036.00	RONDELLA	10X40X2,5	WASHER	RONDELLE	SCHEIBE	ARANDELLA
3	01.0661.00	PIASTRA		PLATE	PLAQUE	PLATTE	PLACA
4	01.0512.00	FLANGIA SINISTRA		LEFT PLATE	PLAQUE GAUCHE	PLATTE LINKS	PLACA IZQUIERDA
5	PMF-000042	VITE TENSILOCK	M12X30	SECURING SCREW TENSILOCK	VIS TENSILOCK	SCHRAUBE TENSILOCK	TORNILLO TENSILOCK
6	PMS-000013	CUSCINETTO A SFERE		BALL BEARING	ROULEMENT A BILLES	KUGELLAGER	RODAMIENTO DE BOLAS
7	PMF-000022	ANELLO ELASTICO	I 72X2,5	CIRCLIP	CIRCLIP	SICHERUNGSRING	ANILLO ELASTICO
8	03.4783.00	COCLEA	LEFT	AUGER	VIS SANS FIN	SCHNECKE	TORNILLO SIN FIN
9	03.4784.00	COCLEA	RIGHT	AUGER	VIS SANS FIN	SCHNECKE	TORNILLO SIN FIN
10	PMF-000024	DADO AUTOBLOCCANTE	M12	SECURING NUT	ECROU INDESSERRAB	SICHERUNGSMUTTER	CONTRATUERCA
11	01.0511.00	FLANGIA DESTRA		RIGHT PLATE	PLAQUE DROITE	PLATTE RECHTS	PLACA DERECHA



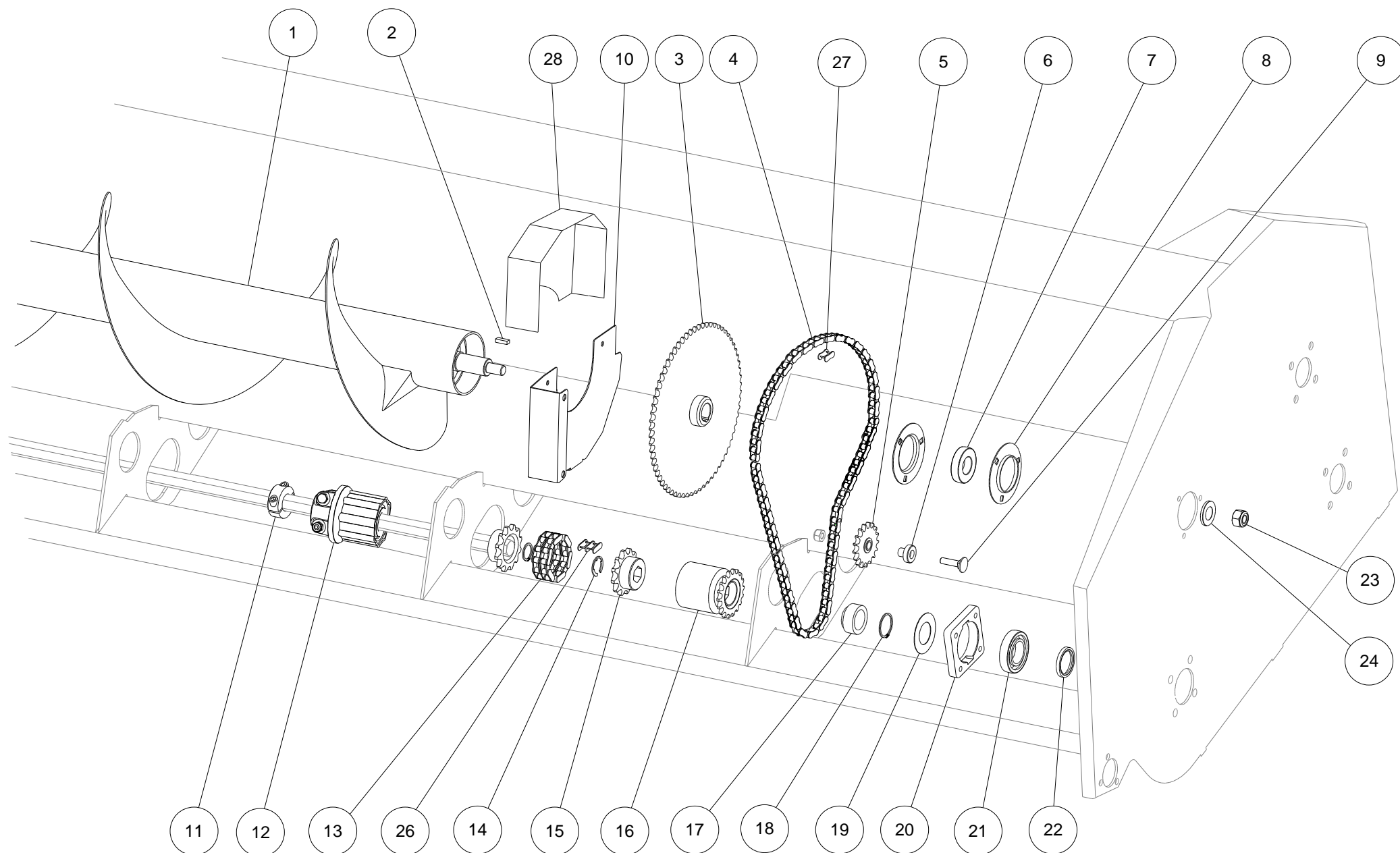
Pos	Code	Descrizione	Note	Description	Description	Beschreibung	Descripcìon
1	03.4720.00	COCLEA	700	AUGER	VIS SANS FIN	SCHNECKE	TORNILLO SIN FIN
1	03.4732.00	COCLEA	750/800	AUGER	VIS SANS FIN	SCHNECKE	TORNILLO SIN FIN
2	PMT-000017	LINGUETTA	10X8X40	KNOTTER TONGUE	LANGUETTE	KNOTERERZUNGE	LENGUETA
3	01.1292.00	INGRANAGGIO	Z57 ASA 60	GEAR	ROUE DENTEE	STINRAD	ENGRANAJE
4	03.2140.00	CATENA	ASA 60	CHAIN	CHAINE	KETTE	CADENA
5	PMT-000004	PIGNONE	Z15 3/4"	SPROCKET	PIGNON	KEGELRAD	PIÑÓN
6	S1-30028	BOCCOLA		BUSHING	DOUILLE	BÜCHSE	HEVILLA
7	PMS-000065	CUSCINETTO A SFERE		BALL BEARING	ROULEMENT A BILLES	KUGELLAGER	RODAMIENTO DE BOLAS
8	PMS-000068	FLANGIA		FLANGE	BRIDE	FLANSCH	PLACA
9	PMF-000038	VITE TBQS	M12X60	COACH SCREW	VIS A TETE BOMBEE	FLACHRUNDSCHRAUBE	TORNILLO
10	01.1897.00	CARTER SINISTRO		LEFT CARTER	CARTER GAUCHE	CARTER LINKS	CARTER IZQUIERDO
10	01.1898.00	CARTER DESTRO		RIGHT GUARD	GARANT DROITE	CARTER RECHTS	CARTER DERECHO
11	01.0161.02	BLOCCHETTO FERMA ESAGONO		ADJUSTING RING	BAGUE D'ARRET	STELLRING	PARO
12	03.4920.00	LIMITATORE		CLUTCH	EMBAYAGE	KUPPLUNG	EMBRAGUE
13	M1-30165	CATENA	ASA 60	CHAIN	CHAINE	KETTE	CADENA
14	PMF-000058	ANELLO DI ARRESTO RADIALE	24X2	LOCK WASHER	BAGUE	SICHERUNGSSCHEIBE	ANILLO
15	01.0510.01	INGRANAGGIO	Z12 ASA 60	GEAR	ROUE DENTEE	STINRAD	ENGRANAJE
16	03.4560.00	LIMITATORE	Z20 ASA 60	CLUTCH	EMBAYAGE	KUPPLUNG	EMBRAGUE
17	01.1900.01	DISTANZIALE FRIZIONE		SPACER SLEEVE	MANCHON DISTANCE	DISTANZSCHEIBE	ESPACIADOR
18	PMF-000048	ANELLO ELASTICO	E 45X1.75	CIRCLIP	CIRCLIP	SICHERUNGSRING	ANILLO ELASTICO
19	02.2103.00	DISCO DI PROTEZIONE		DISC GUARD	DISQUE DE PROTECTION	DECKSCHEIBE	DISCO DE PROTECCION
20	M1-30230	SUPPORTO CUSCINETTO		SUPPORT BEARING	SUPPORT ROULEMENT	BUGELHALTER PENDELKUGELLAGER	SOPORTE COJINETTE
21	PMS-000007	CUSCINETTO A SFERE		BALL BEARING	ROULEMENT A BILLES	KUGELLAGER	RODAMIENTO DE BOLAS
22	PMF-000108	ANELLO DI TENUTA	45X60X7	SEAL RING	BAGUE D'ETANCHEIT	BACKRING	ANILLO
23	PMF-000180	DADO AUTOBLOCCANTE	M20	SECURING NUT	ECROU INDESSERRAB	SICHERUNGSMUTTER	CONTRATUERCA
24	02.2013.00	RONDELLA	20X40X5	WASHER	RONDELLE	SCHEIBE	ARANDELLA



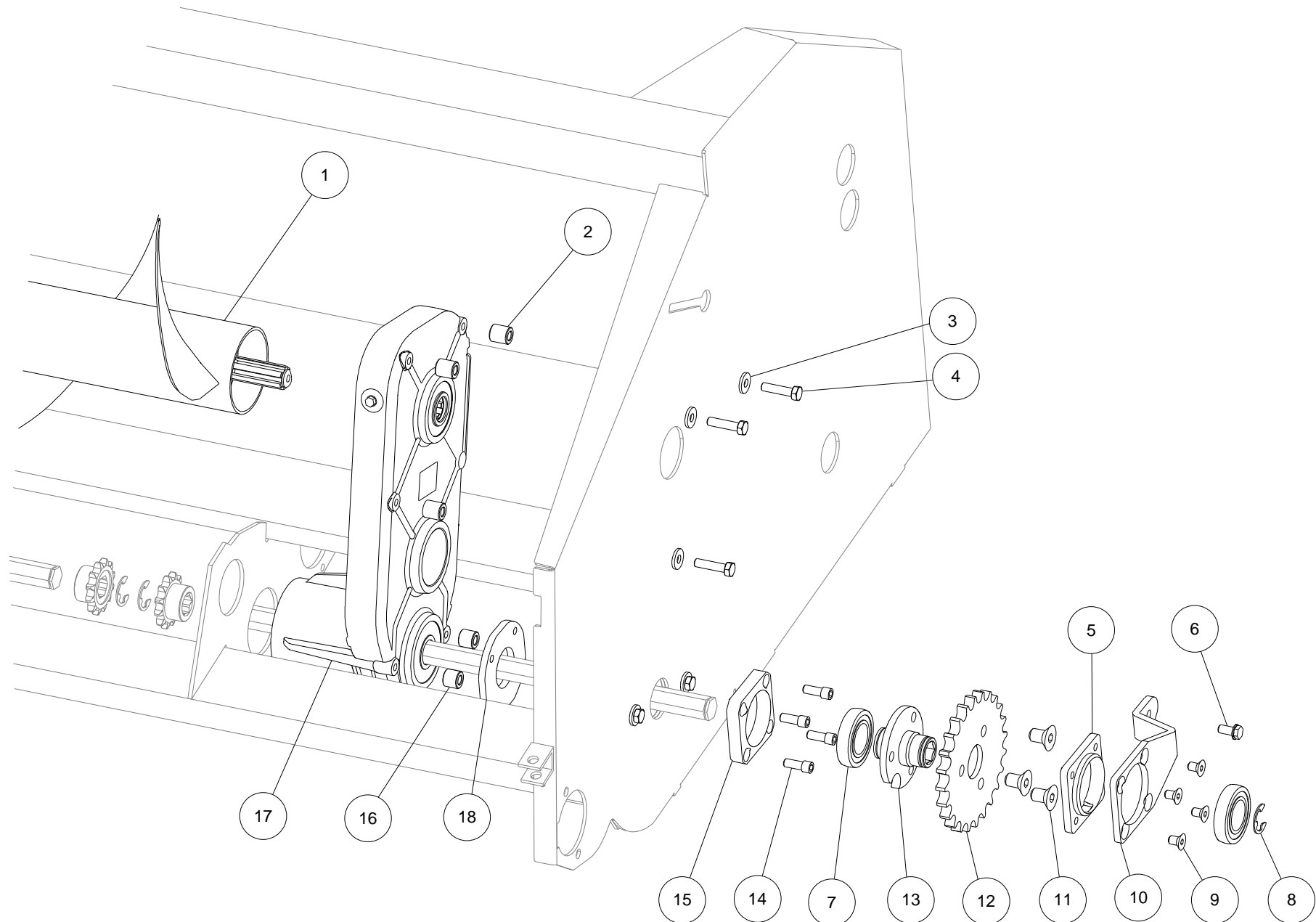
Pos	Code	Descrizione	Note	Description	Description	Beschreibung	Descripción
26	PMT-000028	MAGLIA DI GIUNZIONE	ASA 60	LOCKING LINK	MAILLON DE RACCORD	VERSCHLUSSGLIED	ESLABON DE CADENA
27	PMT-000007	MAGLIA DI GIUNZIONE	ASA 50	LOCKING LINK	MAILLON DE RACCORD	VERSCHLUSSGLIED	ESLABON DE CADENA
28	01.2610.00	CARTER SINISTRO		LEFT CARTER	CARTER GAUCHE	CARTER LINKS	CARTER IZQUIERDO
28	01.2611.00	CARTER SUPERIORE DESTRO		RIGHT CARTER	CARTER DROITE	CARTER RECHTS	CARTER DERECHO



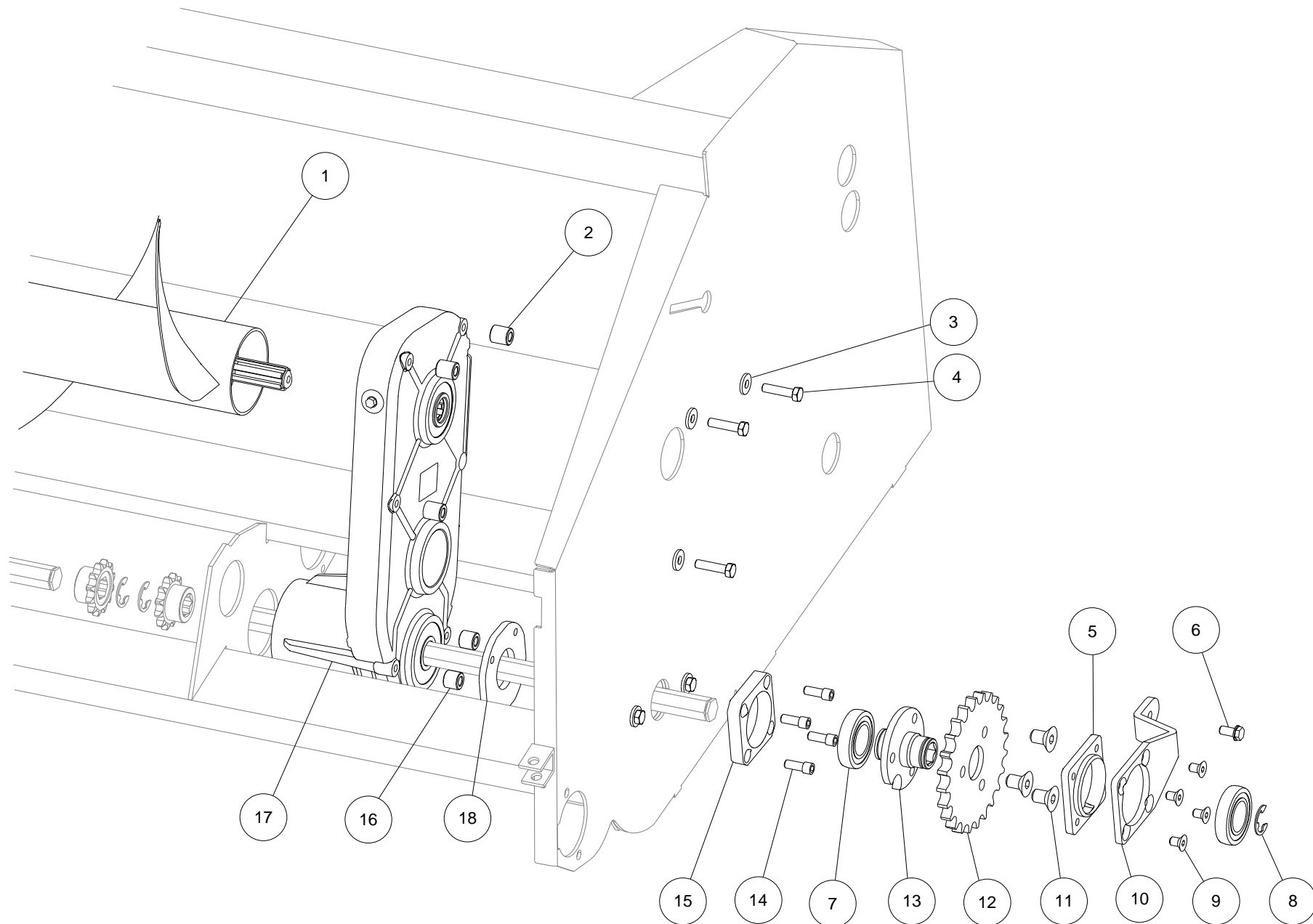
Pos	Code	Descrizione	Note	Description	Description	Beschreibung	Descripció
1	03.4749.00	COCLEA	700	AUGER	VIS SANS FIN	SCHNECKE	TORNILLO SIN FIN
2	PMT-000017	LINGUETTA	10X8X40	KNOTTER TONGUE	LANGUETTE	KNOTERERZUNGE	LENGUETA
3	01.1292.00	INGRANAGGIO	Z57 ASA 60	GEAR	ROUE DENTEE	STINRAD	ENGRANAJE
4	03.2140.00	CATENA	ASA 60	CHAIN	CHAINE	KETTE	CADENA
5	PMT-000004	PIGNONE	Z15 3/4"	SPROCKET	PIGNON	KEGELRAD	PIÑÓN
6	S1-30028	BOCCOLA		BUSHING	DOUILLE	BÜCHSE	HEVILLA
7	PMS-000065	CUSCINETTO A SFERE		BALL BEARING	ROULEMENT A BILLES	KUGELLAGER	RODAMIENTO DE BOLAS
8	PMS-000068	FLANGIA		FLANGE	BRIDE	FLANSCH	PLACA
9	PMF-000038	VITE TBQS	M12X60	COACH SCREW	VIS A TETE BOMBEE	FLACHRUNDSCHRAUBE	TORNILLO
10	01.1897.00	CARTER SINISTRO		LEFT CARTER	CARTER GAUCHE	CARTER LINKS	CARTER IZQUIERDO
10	01.1898.00	CARTER DESTRO		RIGHT GUARD	GARANT DROITE	CARTER RECHTS	CARTER DERECHO
11	01.0161.02	BLOCCHETTO FERMA ESAGONO		ADJUSTING RING	BAGUE D'ARRET	STELLRING	PARO
12	03.4920.00	LIMITATORE		CLUTCH	EMBRAYAGE	KUPPLUNG	EMBRAGUE
13	M1-30165	CATENA	ASA 60	CHAIN	CHAINE	KETTE	CADENA
14	PMF-000058	ANELLO DI ARRESTO RADIALE	24X2	LOCK WASHER	BAGUE	SICHERUNGSSCHEIBE	ANILLO
15	01.0510.01	INGRANAGGIO	Z12 ASA 60	GEAR	ROUE DENTEE	STINRAD	ENGRANAJE
16	03.4560.00	LIMITATORE	Z20 ASA 60	CLUTCH	EMBRAYAGE	KUPPLUNG	EMBRAGUE
17	01.1900.01	DISTANZIALE FRIZIONE		SPACER SLEEVE	MANCHON DISTANCE	DISTANZSCHEIBE	ESPACIADOR
18	PMF-000048	ANELLO ELASTICO	E 45X1.75	CIRCLIP	CIRCLIP	SICHERUNGSRING	ANILLO ELASTICO
19	02.2103.00	DISCO DI PROTEZIONE		DISC GUARD	DISQUE DE PROTECTION	DECKSCHEIBE	DISCO DE PROTECCION
20	M1-30230	SUPPORTO CUSCINETTO		SUPPORT BEARING	SUPPORT ROULEMENT	BUGELHALTER PENDELKUGELLAGER	SOPORTE COJINETTE
21	PMS-000007	CUSCINETTO A SFERE		BALL BEARING	ROULEMENT A BILLES	KUGELLAGER	RODAMIENTO DE BOLAS
22	PMF-000108	ANELLO DI TENUTA	45X60X7	SEAL RING	BAGUE D'ETANCHEIT	BACKRING	ANILLO
23	PMF-000180	DADO AUTOBLOCCANTE	M20	SECURING NUT	ECROU INDESSERRAB	SICHERUNGSMUTTER	CONTRATUERCA
24	02.2013.00	RONDELLA	20X40X5	WASHER	RONDELLE	SCHEIBE	ARANDELLA
26	PMT-000028	MAGLIA DI GIUNZIONE	ASA 60	LOCKING LINK	MAILLON DE RACCORD	VERSCHLUSSGLIED	ESLABON DE CADENA



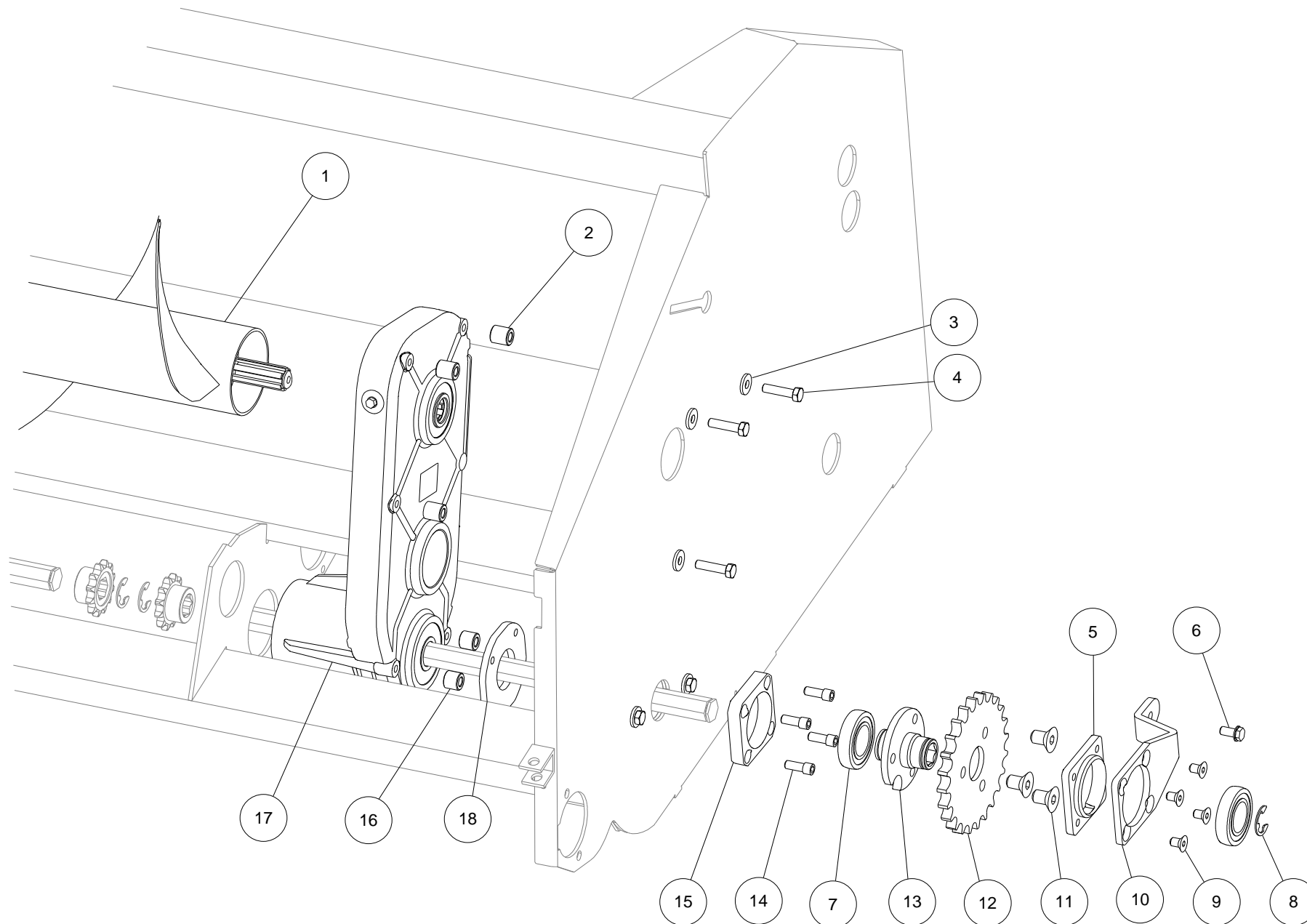
Pos	Code	Descrizione	Note	Description	Description	Beschreibung	Descripción
27	PMT-000007	MAGLIA DI GIUNZIONE	ASA 50	LOCKING LINK	MAILLON DE RACCORD	VERSCHLUSSGLIED	ESLABON DE CADENA
28	01.2610.00	CARTER SINISTRO		LEFT CARTER	CARTER GAUCHE	CARTER LINKS	CARTER IZQUIERDO
28	01.2611.00	CARTER SUPERIORE DESTRO		RIGHT CARTER	CARTER DROITE	CARTER RECHTS	CARTER DERECHO



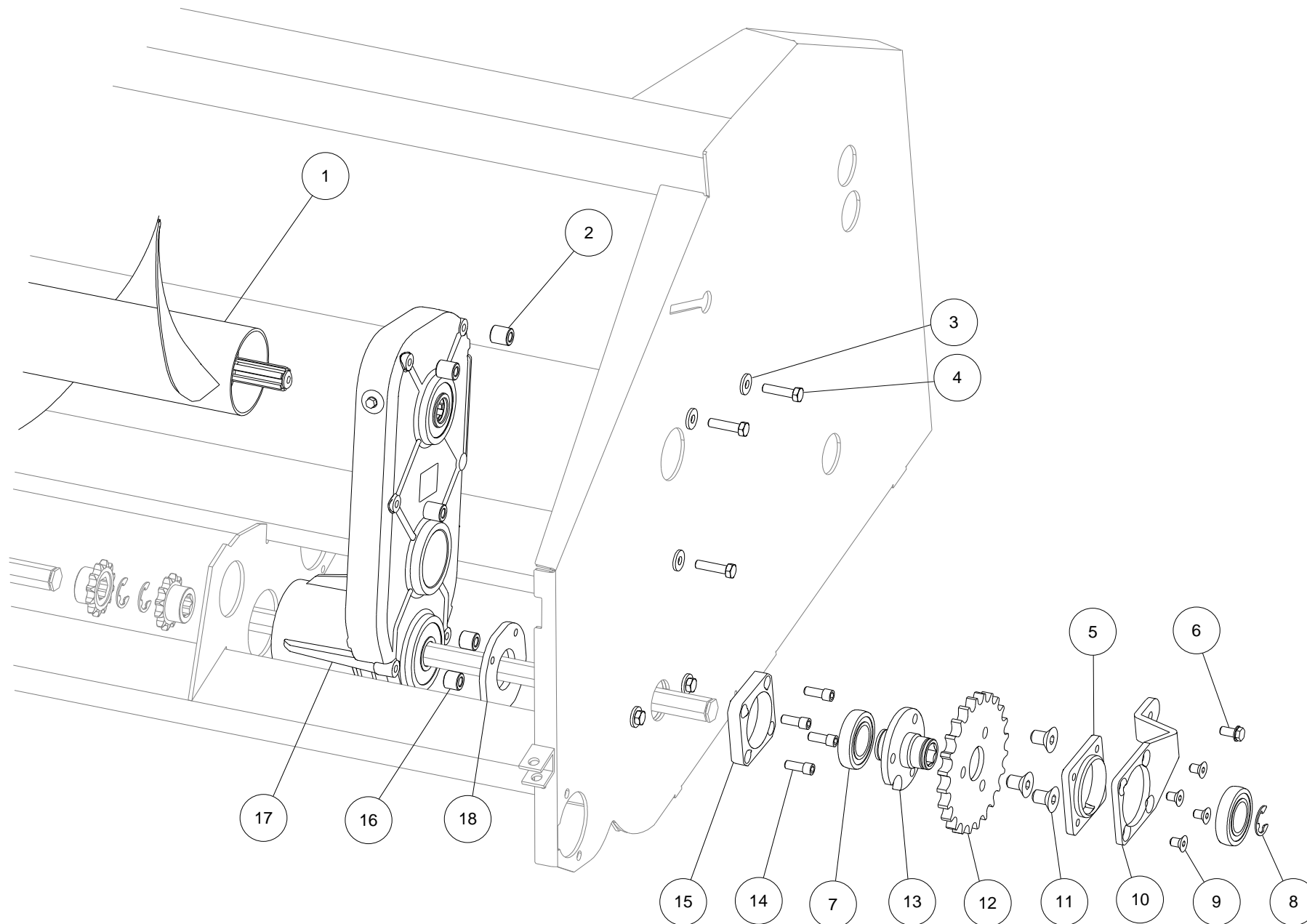
Pos	Code	Descrizione	Note	Description	Description	Beschreibung	Descripcìon
1	03.4785.00	COCLEA		AUGER	VIS SANS FIN	SCHNECKE	TORNILLO SIN FIN
2	01.1217.00	DISTANZIALE		SPACER	EPAISSEUR	DISTANZSCHEIBE	ESPACIADOR
3	02.1053.00	RONDELLA	12X30X4	WASHER	RONDELLE	SCHEIBE	ARANDELLA
4	PMF-000037	VITE TE	M12X50	HEXAGONAL SCREW	VIS SIX PANS	SECHSKANTSCHRAUBE	TORNILLO
5	01.0301.00	SUPPORTO CUSCINETTO		SUPPORT BEARING	SUPPORT ROULEMENT	BUGELHALTER PENDELKUGELLAGER	SOPORTE COJINETTE
6	PMF-000053	VITE TENSILOCK	M12X25	SECURING SCREW TENSILOCK	VIS TENSILOCK	SCHRAUBE TENSILOCK	TORNILLO TENSILOCK
7	PMS-000007	CUSCINETTO A SFERE		BALL BEARING	ROULEMENT A BILLES	KUGELLAGER	RODAMIENTO DE BOLAS
8	PMF-000058	ANELLO DI ARRESTO RADIALE	24X2	LOCK WASHER	BAGUE	SICHERUNGSSCHEIBE	ANILLO
9	PMF-000474	VITE TSEI	M12X20	COUNTERSUNK SCREW	VIS A TETE FRAISEE	SENKSCHRAUBE	TORNILLO
10	01.1500.00	STAFFA		BRACKET	SUPPORT	BUEGEL	SOPORTE
11	01.1059.00	VITE TSEI		COUNTERSUNK SCREW	VIS A TETE FRAISEE	SENKSCHRAUBE	TORNILLO
12	01.1186.00	INGRANAGGIO SVASATO	AGCO/CLAAS	COUNTERSUNK GEAR	ROUE DENTEE FRAISEE	SENKSTINRAD	ENGRANAJE AVELLANADO
12	01.1188.00	INGRANAGGIO SVASATO	CASE AFX/NH(CR-CX)	COUNTERSUNK GEAR	ROUE DENTEE FRAISEE	SENKSTINRAD	ENGRANAJE AVELLANADO
12	01.1192.00	INGRANAGGIO SVASATO	CASE IH/LAVERDA	COUNTERSUNK GEAR	ROUE DENTEE FRAISEE	SENKSTINRAD	ENGRANAJE AVELLANADO
12	01.1192.00	INGRANAGGIO SVASATO	JOHN DEERE/ROST.	COUNTERSUNK GEAR	ROUE DENTEE FRAISEE	SENKSTINRAD	ENGRANAJE AVELLANADO
12	01.1193.00	INGRANAGGIO SVASATO	NH (TX-TF-TC)	COUNTERSUNK GEAR	ROUE DENTEE FRAISEE	SENKSTINRAD	ENGRANAJE AVELLANADO
12	01.1194.00	INGRANAGGIO SVASATO	DEUTH FAHR/MASSEY	COUNTERSUNK GEAR	ROUE DENTEE FRAISEE	SENKSTINRAD	ENGRANAJE AVELLANADO
13	01.1505.00	MOZZO DI TRASMISSIONE		HUB	MOYEU	NABE	CUBO
14	PMF-000078	VITE TCEI	M12X30	SOCKET HEAD SCREW	VIS CYLINDRIQUE	ZYLINDERSCHRAUBE	TORNILLO
15	M1-30231	SUPPORTO CUSCINETTO		SUPPORT BEARING	SUPPORT ROULEMENT	BUGELHALTER PENDELKUGELLAGER	SOPORTE COJINETTE
16	01.1207.00	DISTANZIALE		SPACER	EPAISSEUR	DISTANZSCHEIBE	ESPACIADOR
17	M1-20060	SCATOLA DI TRASMISSIONE		GEARBOX	BOITIER D'ENTRAINEMENT	GETRIEBE	CAJA ENGRANAJE
18	01.1515.00	FLANGIA		FLANGE	BRIDE	FLANSCH	PLACA



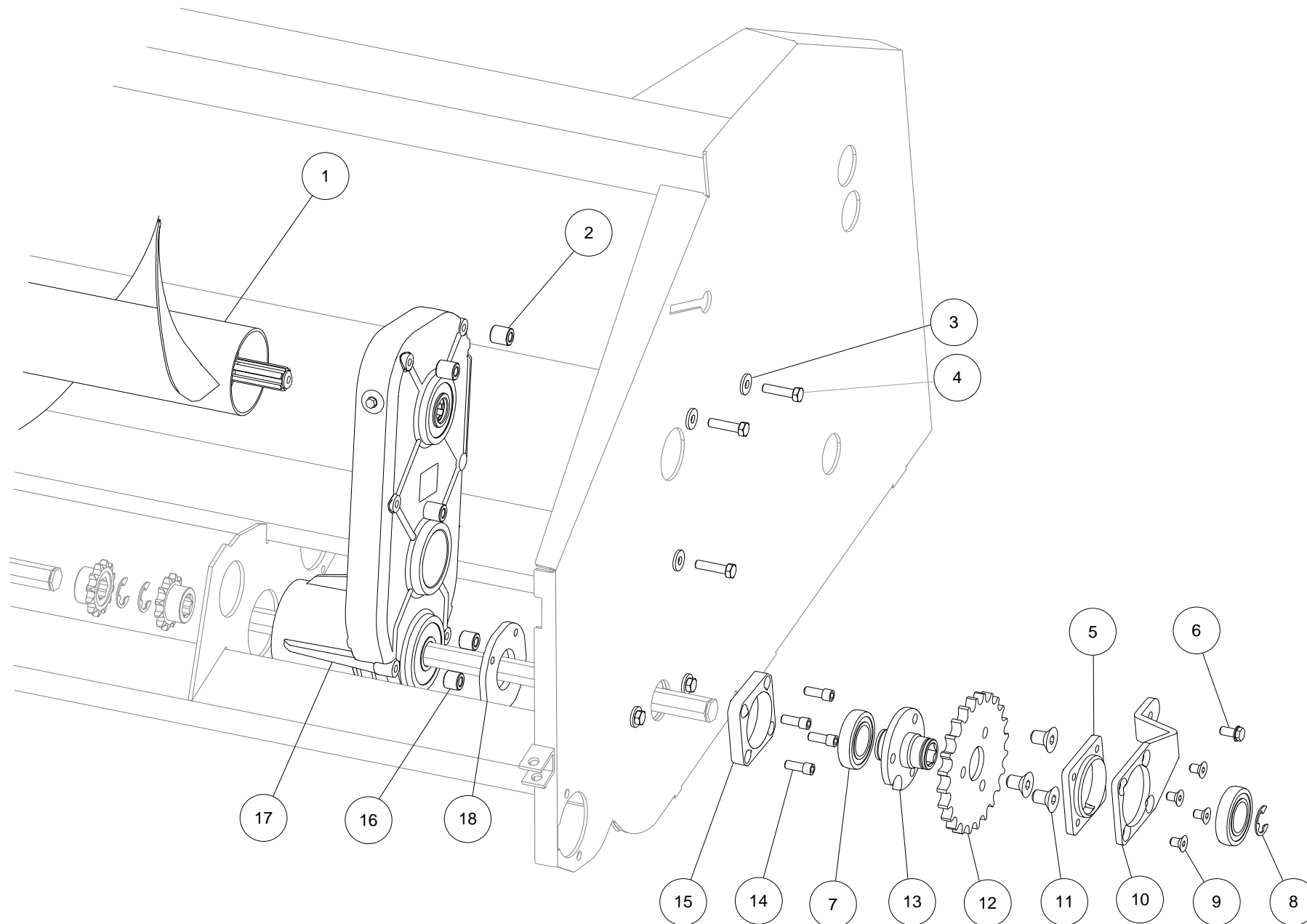
Pos	Code	Descrizione	Note	Description	Description	Beschreibung	Descripció
1	03.4787.00	COCLEA		AUGER	VIS SANS FIN	SCHNECKE	TORNILLO SIN FIN
2	01.1217.00	DISTANZIALE		SPACER	EPAISSEUR	DISTANZSCHEIBE	ESPACIADOR
3	02.1053.00	RONDELLA	12X30X4	WASHER	RONDELLE	SCHEIBE	ARANDELLA
4	PMF-000037	VITE TE	M12X50	HEXAGONAL SCREW	VIS SIX PANS	SECHSKANTSCHRAUBE	TORNILLO
5	01.0301.00	SUPPORTO CUSCINETTO		SUPPORT BEARING	SUPPORT ROULEMENT	BUGELHALTER PENDELKUGELLAGER	SOPORTE COJINETTE
6	PMF-000053	VITE TENSILOCK	M12X25	SECURING SCREW TENSILOCK	VIS TENSILOCK	SCHRAUBE TENSILOCK	TORNILLO TENSILOCK
7	PMS-000007	CUSCINETTO A SFERE		BALL BEARING	ROULEMENT A BILLES	KUGELLAGER	RODAMIENTO DE BOLAS
8	PMF-000058	ANELLO DI ARRESTO RADIALE	24X2	LOCK WASHER	BAGUE	SICHERUNGSSCHEIBE	ANILLO
9	PMF-000474	VITE TSEI	M12X20	COUNTERSUNK SCREW	VIS A TETE FRAISEE	SENKSCHRAUBE	TORNILLO
10	01.1500.00	STAFFA		BRACKET	SUPPORT	BUEGEL	SOPORTE
11	01.1059.00	VITE TSEI		COUNTERSUNK SCREW	VIS A TETE FRAISEE	SENKSCHRAUBE	TORNILLO
12	01.1186.00	INGRANAGGIO SVASATO	AGCO/CLAAS	COUNTERSUNK GEAR	ROUE DENTEE FRAISEE	SENKSTINRAD	ENGRANAJE AVELLANADO
12	01.1188.00	INGRANAGGIO SVASATO	CASE AFX/NH(CR-CX)	COUNTERSUNK GEAR	ROUE DENTEE FRAISEE	SENKSTINRAD	ENGRANAJE AVELLANADO
12	01.1192.00	INGRANAGGIO SVASATO	JOHN DEERE/ROST.	COUNTERSUNK GEAR	ROUE DENTEE FRAISEE	SENKSTINRAD	ENGRANAJE AVELLANADO
12	01.1192.00	INGRANAGGIO SVASATO	CASE IH/LAVERDA	COUNTERSUNK GEAR	ROUE DENTEE FRAISEE	SENKSTINRAD	ENGRANAJE AVELLANADO
12	01.1193.00	INGRANAGGIO SVASATO	NH (TX-TF-TC)	COUNTERSUNK GEAR	ROUE DENTEE FRAISEE	SENKSTINRAD	ENGRANAJE AVELLANADO
12	01.1194.00	INGRANAGGIO SVASATO	DEUTH FAHR/MASSEY	COUNTERSUNK GEAR	ROUE DENTEE FRAISEE	SENKSTINRAD	ENGRANAJE AVELLANADO
13	01.1505.00	MOZZO DI TRASMISSIONE		HUB	MOYEU	NABE	CUBO
14	PMF-000078	VITE TCEI	M12X30	SOCKET HEAD SCREW	VIS CYLINDRIQUE	ZYLINDERSCHRAUBE	TORNILLO
15	M1-30231	SUPPORTO CUSCINETTO		SUPPORT BEARING	SUPPORT ROULEMENT	BUGELHALTER PENDELKUGELLAGER	SOPORTE COJINETTE
16	01.1207.00	DISTANZIALE		SPACER	EPAISSEUR	DISTANZSCHEIBE	ESPACIADOR
17	M1-20060	SCATOLA DI TRASMISSIONE		GEARBOX	BOITIER D'ENTRAINEMENT	GETRIEBE	CAJA ENGRANAJE
18	01.1515.00	FLANGIA		FLANGE	BRIDE	FLANSCH	PLACA



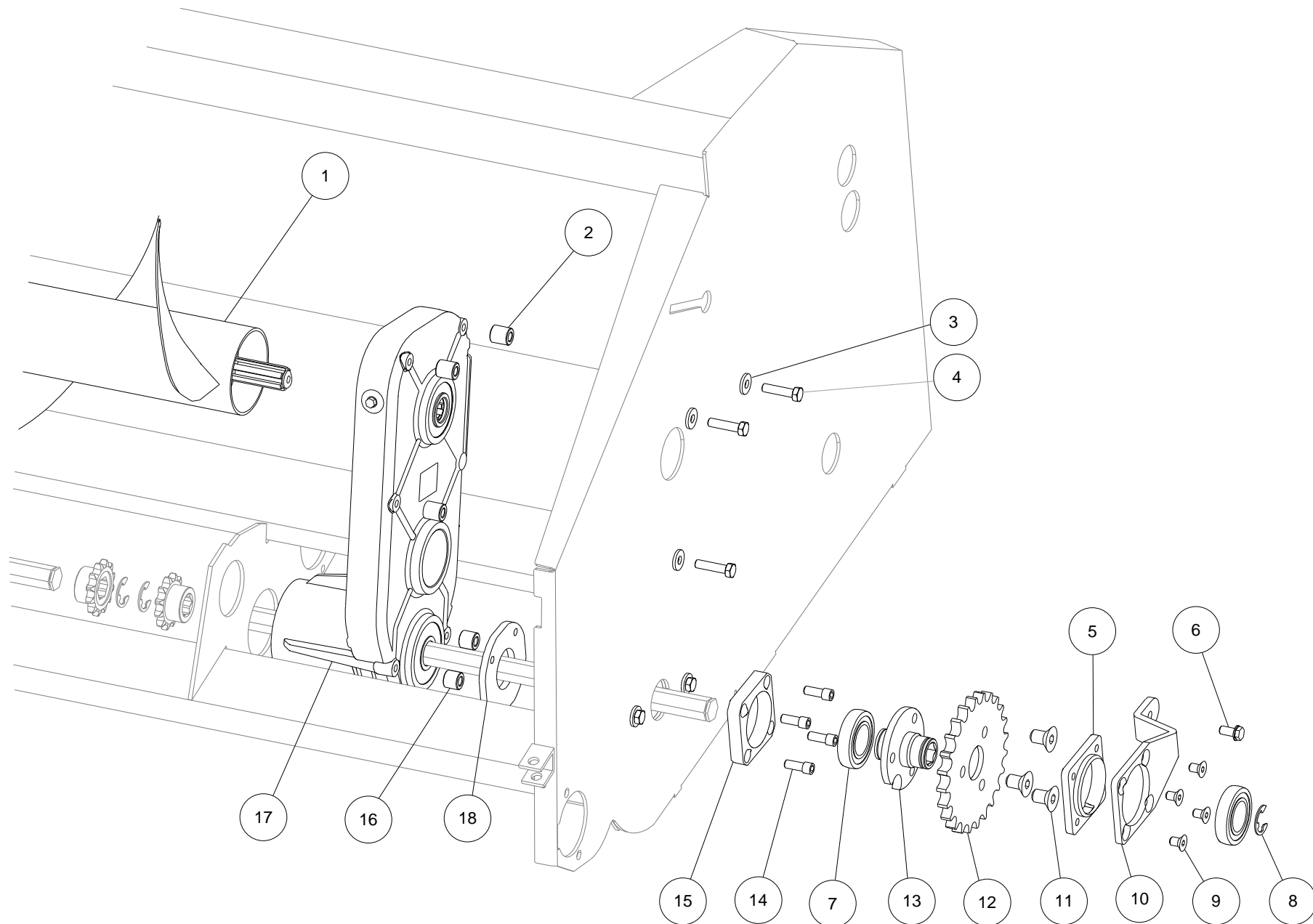
Pos	Code	Descrizione	Note	Description	Description	Beschreibung	Descripció
1	03.4795.00	COCLEA		AUGER	VIS SANS FIN	SCHNECKE	TORNILLO SIN FIN
2	01.1217.00	DISTANZIALE		SPACER	EPAISSEUR	DISTANZSCHEIBE	ESPACIADOR
3	02.1053.00	RONDELLA	12X30X4	WASHER	RONDELLE	SCHEIBE	ARANDELLA
4	PMF-000037	VITE TE	M12X50	HEXAGONAL SCREW	VIS SIX PANS	SECHSKANTSCHRAUBE	TORNILLO
5	01.0301.00	SUPPORTO CUSCINETTO		SUPPORT BEARING	SUPPORT ROULEMENT	BUGELHALTER PENDELKUGELLAGER	SOPORTE COJINETTE
6	PMF-000053	VITE TENSILOCK	M12X25	SECURING SCREW TENSILOCK	VIS TENSILOCK	SCHRAUBE TENSILOCK	TORNILLO TENSILOCK
7	PMS-000007	CUSCINETTO A SFERE		BALL BEARING	ROULEMENT A BILLES	KUGELLAGER	RODAMIENTO DE BOLAS
8	PMF-000058	ANELLO DI ARRESTO RADIALE	24X2	LOCK WASHER	BAGUE	SICHERUNGSSCHEIBE	ANILLO
9	PMF-000474	VITE TSEI	M12X20	COUNTERSUNK SCREW	VIS A TETE FRAISEE	SENKSCHRAUBE	TORNILLO
10	01.1500.00	STAFFA		BRACKET	SUPPORT	BUEGEL	SOPORTE
11	01.1059.00	VITE TSEI		COUNTERSUNK SCREW	VIS A TETE FRAISEE	SENKSCHRAUBE	TORNILLO
12	01.1186.00	INGRANAGGIO SVASATO	AGCO/CLAAS	COUNTERSUNK GEAR	ROUE DENTEE FRAISEE	SENKSTINRAD	ENGRANAJE AVELLANADO
12	01.1188.00	INGRANAGGIO SVASATO	CASE AFX/NH(CR-CX)	COUNTERSUNK GEAR	ROUE DENTEE FRAISEE	SENKSTINRAD	ENGRANAJE AVELLANADO
12	01.1192.00	INGRANAGGIO SVASATO	JOHN DEERE/ROST.	COUNTERSUNK GEAR	ROUE DENTEE FRAISEE	SENKSTINRAD	ENGRANAJE AVELLANADO
12	01.1192.00	INGRANAGGIO SVASATO	CASE IH/LAVERDA	COUNTERSUNK GEAR	ROUE DENTEE FRAISEE	SENKSTINRAD	ENGRANAJE AVELLANADO
12	01.1193.00	INGRANAGGIO SVASATO	NH (TX-TF-TC)	COUNTERSUNK GEAR	ROUE DENTEE FRAISEE	SENKSTINRAD	ENGRANAJE AVELLANADO
12	01.1194.00	INGRANAGGIO SVASATO	DEUTH FAHR/MASSEY	COUNTERSUNK GEAR	ROUE DENTEE FRAISEE	SENKSTINRAD	ENGRANAJE AVELLANADO
13	01.1505.00	MOZZO DI TRASMISSIONE		HUB	MOYEU	NABE	CUBO
14	PMF-000078	VITE TCEI	M12X30	SOCKET HEAD SCREW	VIS CYLINDRIQUE	ZYLINDERSCHRAUBE	TORNILLO
15	M1-30231	SUPPORTO CUSCINETTO		SUPPORT BEARING	SUPPORT ROULEMENT	BUGELHALTER PENDELKUGELLAGER	SOPORTE COJINETTE
16	01.1207.00	DISTANZIALE		SPACER	EPAISSEUR	DISTANZSCHEIBE	ESPACIADOR
17	M1-20060	SCATOLA DI TRASMISSIONE		GEARBOX	BOITIER D'ENTRAINEMENT	GETRIEBE	CAJA ENGRANAJE
18	01.1515.00	FLANGIA		FLANGE	BRIDE	FLANSCH	PLACA



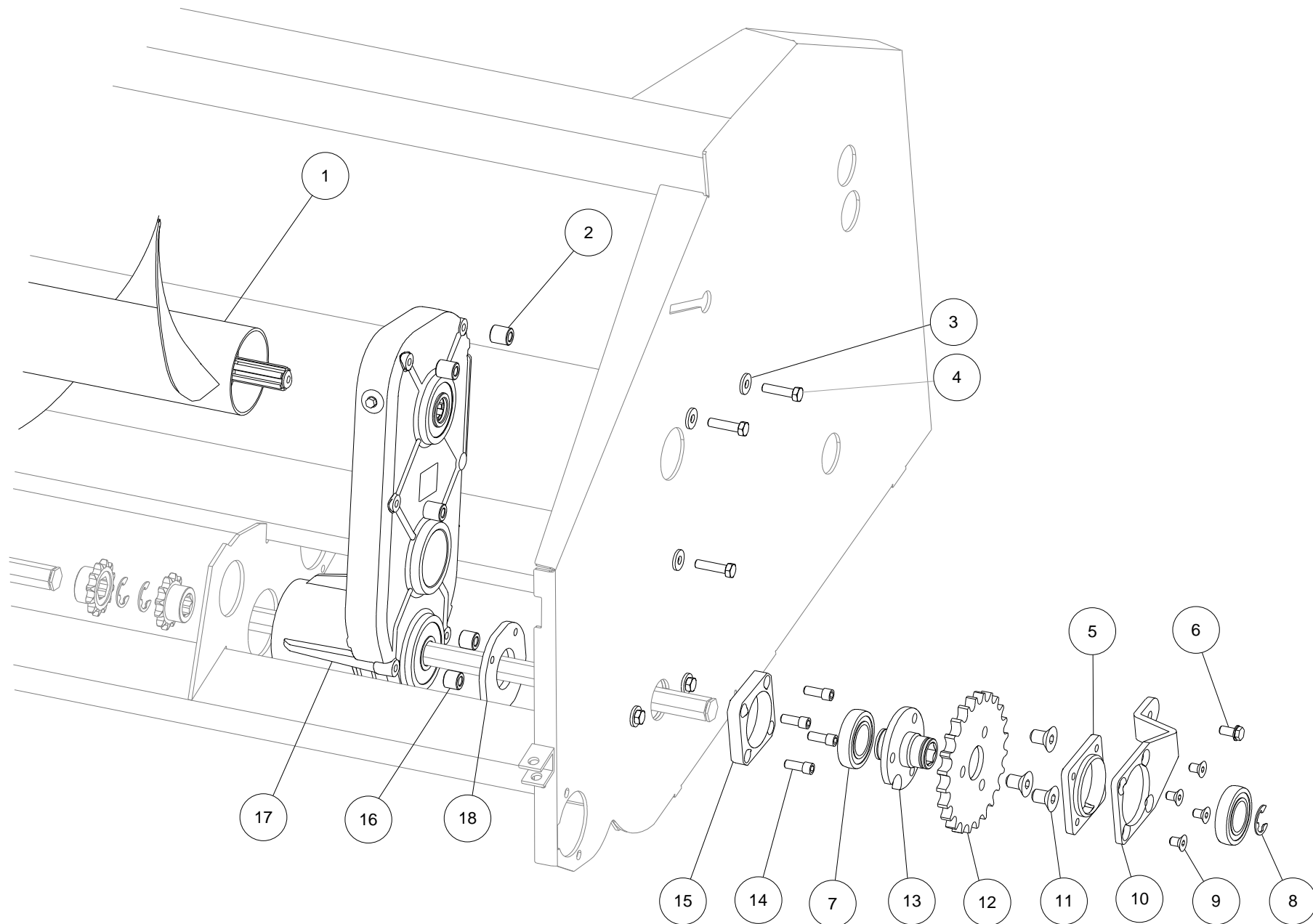
Pos	Code	Descrizione	Note	Description	Description	Beschreibung	Descripció
1	03.4770.00	COCLEA		AUGER	VIS SANS FIN	SCHNECKE	TORNILLO SIN FIN
2	01.1217.00	DISTANZIALE		SPACER	EPAISSEUR	DISTANZSCHEIBE	ESPACIADOR
3	02.1053.00	RONDELLA	12X30X4	WASHER	RONDELLE	SCHEIBE	ARANDELLA
4	PMF-000037	VITE TE	M12X50	HEXAGONAL SCREW	VIS SIX PANS	SECHSKANTSCHRAUBE	TORNILLO
5	01.0301.00	SUPPORTO CUSCINETTO		SUPPORT BEARING	SUPPORT ROULEMENT	BUGELHALTER PENDELKUGELLAGER	SOPORTE COJINETTE
6	PMF-000053	VITE TENSILOCK	M12X25	SECURING SCREW TENSILOCK	VIS TENSILOCK	SCHRAUBE TENSILOCK	TORNILLO TENSILOCK
7	PMS-000007	CUSCINETTO A SFERE		BALL BEARING	ROULEMENT A BILLES	KUGELLAGER	RODAMIENTO DE BOLAS
8	PMF-000058	ANELLO DI ARRESTO RADIALE	24X2	LOCK WASHER	BAGUE	SICHERUNGSSCHEIBE	ANILLO
9	PMF-000474	VITE TSEI	M12X20	COUNTERSUNK SCREW	VIS A TETE FRAISEE	SENKSCHRAUBE	TORNILLO
10	01.1500.00	STAFFA		BRACKET	SUPPORT	BUEGEL	SOPORTE
11	01.1059.00	VITE TSEI		COUNTERSUNK SCREW	VIS A TETE FRAISEE	SENKSCHRAUBE	TORNILLO
12	01.1186.00	INGRANAGGIO SVASATO	AGCO/CLAAS	COUNTERSUNK GEAR	ROUE DENTEE FRAISEE	SENKSTINRAD	ENGRANAJE AVELLANADO
12	01.1188.00	INGRANAGGIO SVASATO	CASE AFX/NH(CR-CX)	COUNTERSUNK GEAR	ROUE DENTEE FRAISEE	SENKSTINRAD	ENGRANAJE AVELLANADO
12	01.1192.00	INGRANAGGIO SVASATO	CASE IH/LAVERDA	COUNTERSUNK GEAR	ROUE DENTEE FRAISEE	SENKSTINRAD	ENGRANAJE AVELLANADO
12	01.1192.00	INGRANAGGIO SVASATO	JOHN DEERE/ROST.	COUNTERSUNK GEAR	ROUE DENTEE FRAISEE	SENKSTINRAD	ENGRANAJE AVELLANADO
12	01.1193.00	INGRANAGGIO SVASATO	NH (TX-TF-TC)	COUNTERSUNK GEAR	ROUE DENTEE FRAISEE	SENKSTINRAD	ENGRANAJE AVELLANADO
12	01.1194.00	INGRANAGGIO SVASATO	DEUTH FAHR/MASSEY	COUNTERSUNK GEAR	ROUE DENTEE FRAISEE	SENKSTINRAD	ENGRANAJE AVELLANADO
13	01.1505.00	MOZZO DI TRASMISSIONE		HUB	MOYEU	NABE	CUBO
14	PMF-000078	VITE TCEI	M12X30	SOCKET HEAD SCREW	VIS CYLINDRIQUE	ZYLINDERSCHRAUBE	TORNILLO
15	M1-30231	SUPPORTO CUSCINETTO		SUPPORT BEARING	SUPPORT ROULEMENT	BUGELHALTER PENDELKUGELLAGER	SOPORTE COJINETTE
16	01.1207.00	DISTANZIALE		SPACER	EPAISSEUR	DISTANZSCHEIBE	ESPACIADOR
17	M1-20060	SCATOLA DI TRASMISSIONE		GEARBOX	BOITIER D'ENTRAINEMENT	GETRIEBE	CAJA ENGRANAJE
18	01.1515.00	FLANGIA		FLANGE	BRIDE	FLANSCH	PLACA



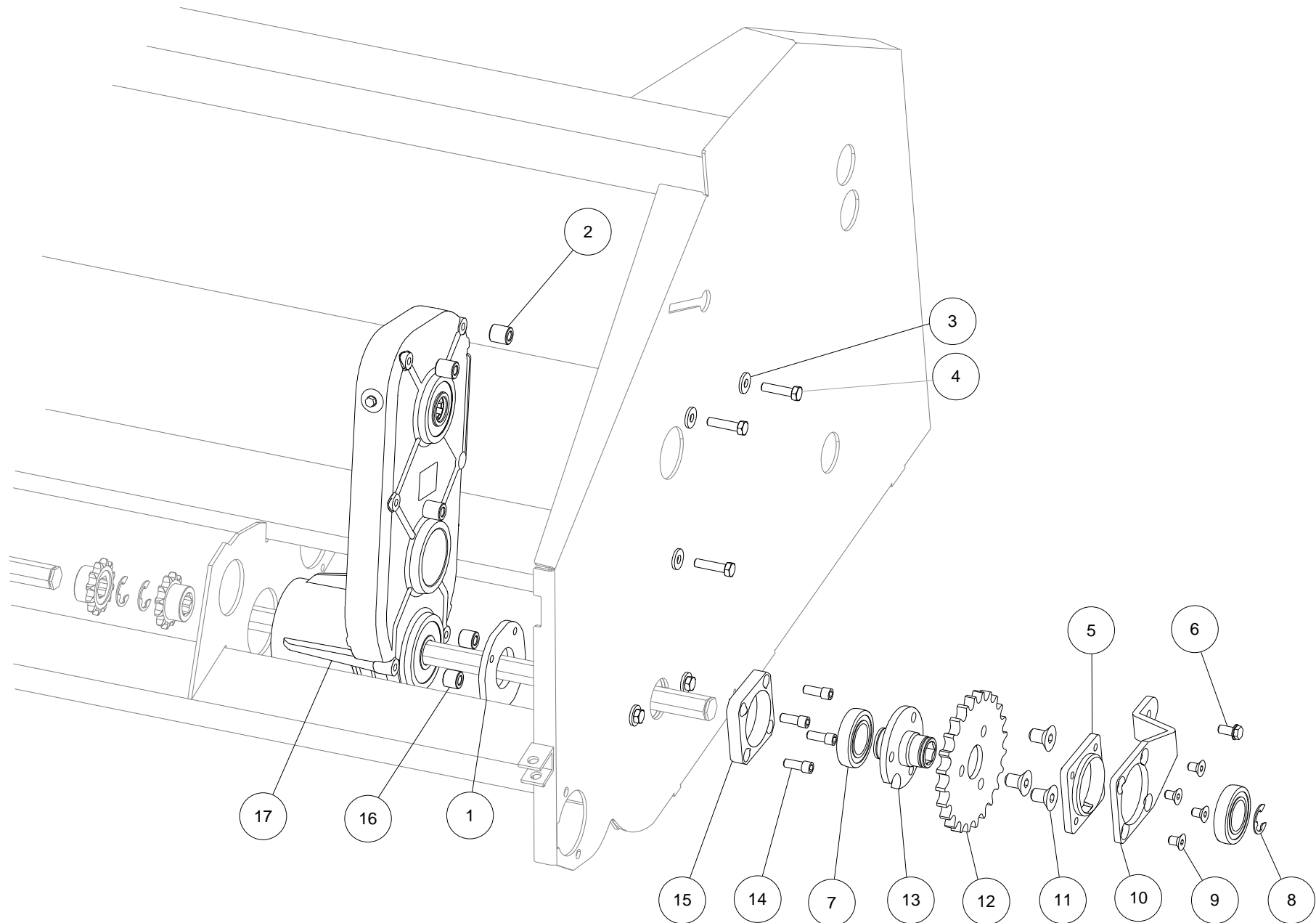
Pos	Code	Descrizione	Note	Description	Description	Beschreibung	Descripció
1	03.4797.00	COCLEA		AUGER	VIS SANS FIN	SCHNECKE	TORNILLO SIN FIN
2	01.1217.00	DISTANZIALE		SPACER	EPAISSEUR	DISTANZSCHEIBE	ESPACIADOR
3	02.1053.00	RONDELLA	12X30X4	WASHER	RONDELLE	SCHEIBE	ARANDELLA
4	PMF-000037	VITE TE	M12X50	HEXAGONAL SCREW	VIS SIX PANS	SECHSKANTSCHRAUBE	TORNILLO
5	01.0301.00	SUPPORTO CUSCINETTO		SUPPORT BEARING	SUPPORT ROULEMENT	BUGELHALTER PENDELKUGELLAGER	SOPORTE COJINETTE
6	PMF-000053	VITE TENSILOCK	M12X25	SECURING SCREW TENSILOCK	VIS TENSILOCK	SCHRAUBE TENSILOCK	TORNILLO TENSILOCK
7	PMS-000007	CUSCINETTO A SFERE		BALL BEARING	ROULEMENT A BILLES	KUGELLAGER	RODAMIENTO DE BOLAS
8	PMF-000058	ANELLO DI ARRESTO RADIALE	24X2	LOCK WASHER	BAGUE	SICHERUNGSSCHEIBE	ANILLO
9	PMF-000474	VITE TSEI	M12X20	COUNTERSUNK SCREW	VIS A TETE FRAISEE	SENKSCHRAUBE	TORNILLO
10	01.1500.00	STAFFA		BRACKET	SUPPORT	BUEGEL	SOPORTE
11	01.1059.00	VITE TSEI		COUNTERSUNK SCREW	VIS A TETE FRAISEE	SENKSCHRAUBE	TORNILLO
12	01.1186.00	INGRANAGGIO SVASATO	AGCO/CLAAS	COUNTERSUNK GEAR	ROUE DENTEE FRAISEE	SENKSTINRAD	ENGRANAJE AVELLANADO
12	01.1188.00	INGRANAGGIO SVASATO	CASE AFX/NH(CR-CX)	COUNTERSUNK GEAR	ROUE DENTEE FRAISEE	SENKSTINRAD	ENGRANAJE AVELLANADO
12	01.1192.00	INGRANAGGIO SVASATO	JOHN DEERE/ROST.	COUNTERSUNK GEAR	ROUE DENTEE FRAISEE	SENKSTINRAD	ENGRANAJE AVELLANADO
12	01.1192.00	INGRANAGGIO SVASATO	CASE IH/LAVERDA	COUNTERSUNK GEAR	ROUE DENTEE FRAISEE	SENKSTINRAD	ENGRANAJE AVELLANADO
12	01.1193.00	INGRANAGGIO SVASATO	NH (TX-TF-TC)	COUNTERSUNK GEAR	ROUE DENTEE FRAISEE	SENKSTINRAD	ENGRANAJE AVELLANADO
12	01.1194.00	INGRANAGGIO SVASATO	DEUTH FAHR/MASSEY	COUNTERSUNK GEAR	ROUE DENTEE FRAISEE	SENKSTINRAD	ENGRANAJE AVELLANADO
13	01.1505.00	MOZZO DI TRASMISSIONE		HUB	MOYEU	NABE	CUBO
14	PMF-000078	VITE TCEI	M12X30	SOCKET HEAD SCREW	VIS CYLINDRIQUE	ZYLINDERSCHRAUBE	TORNILLO
15	M1-30231	SUPPORTO CUSCINETTO		SUPPORT BEARING	SUPPORT ROULEMENT	BUGELHALTER PENDELKUGELLAGER	SOPORTE COJINETTE
16	01.1207.00	DISTANZIALE		SPACER	EPAISSEUR	DISTANZSCHEIBE	ESPACIADOR
17	M1-20060	SCATOLA DI TRASMISSIONE		GEARBOX	BOITIER D'ENTRAINEMENT	GETRIEBE	CAJA ENGRANAJE
18	01.1515.00	FLANGIA		FLANGE	BRIDE	FLANSCH	PLACA



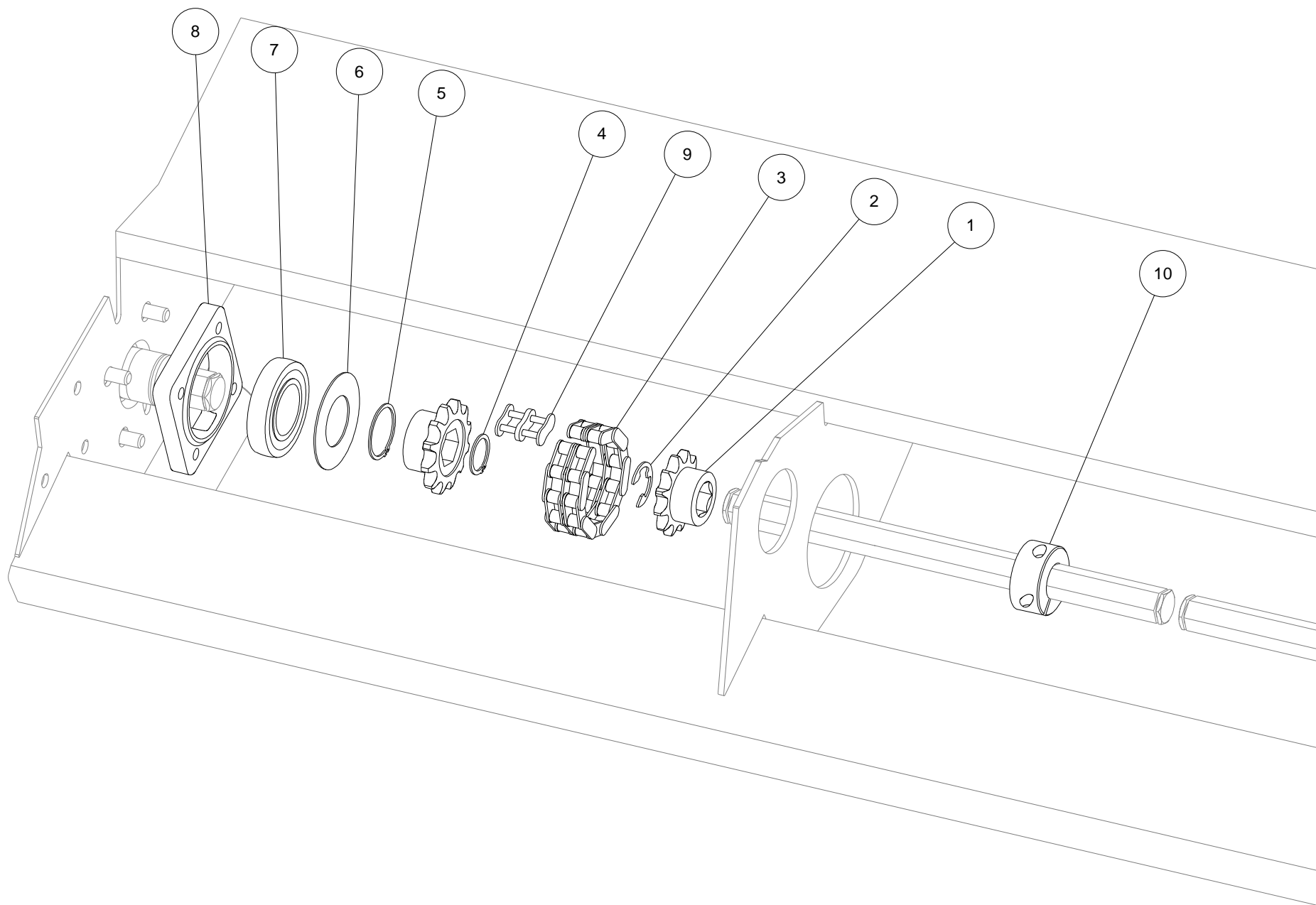
Pos	Code	Descrizione	Note	Description	Description	Beschreibung	Descripció
1	03.4771.00	COCLEA		AUGER	VIS SANS FIN	SCHNECKE	TORNILLO SIN FIN
2	01.1217.00	DISTANZIALE		SPACER	EPAISSEUR	DISTANZSCHEIBE	ESPACIADOR
3	02.1053.00	RONDELLA	12X30X4	WASHER	RONDELLE	SCHEIBE	ARANDELLA
4	PMF-000037	VITE TE	M12X50	HEXAGONAL SCREW	VIS SIX PANS	SECHSKANTSCHRAUBE	TORNILLO
5	01.0301.00	SUPPORTO CUSCINETTO		SUPPORT BEARING	SUPPORT ROULEMENT	BUGELHALTER PENDELKUGELLAGER	SOPORTE COJINETTE
6	PMF-000053	VITE TENSILOCK	M12X25	SECURING SCREW TENSILOCK	VIS TENSILOCK	SCHRAUBE TENSILOCK	TORNILLO TENSILOCK
7	PMS-000007	CUSCINETTO A SFERE		BALL BEARING	ROULEMENT A BILLES	KUGELLAGER	RODAMIENTO DE BOLAS
8	PMF-000058	ANELLO DI ARRESTO RADIALE	24X2	LOCK WASHER	BAGUE	SICHERUNGSSCHEIBE	ANILLO
9	PMF-000474	VITE TSEI	M12X20	COUNTERSUNK SCREW	VIS A TETE FRAISEE	SENKSCHRAUBE	TORNILLO
10	01.1500.00	STAFFA		BRACKET	SUPPORT	BUEGEL	SOPORTE
11	01.1059.00	VITE TSEI		COUNTERSUNK SCREW	VIS A TETE FRAISEE	SENKSCHRAUBE	TORNILLO
12	01.1186.00	INGRANAGGIO SVASATO	AGCO/CLAAS	COUNTERSUNK GEAR	ROUE DENTEE FRAISEE	SENKSTINRAD	ENGRANAJE AVELLANADO
12	01.1188.00	INGRANAGGIO SVASATO	CASE AFX/NH(CR-CX)	COUNTERSUNK GEAR	ROUE DENTEE FRAISEE	SENKSTINRAD	ENGRANAJE AVELLANADO
12	01.1192.00	INGRANAGGIO SVASATO	JOHN DEERE/ROST.	COUNTERSUNK GEAR	ROUE DENTEE FRAISEE	SENKSTINRAD	ENGRANAJE AVELLANADO
12	01.1192.00	INGRANAGGIO SVASATO	CASE IH/LAVERDA	COUNTERSUNK GEAR	ROUE DENTEE FRAISEE	SENKSTINRAD	ENGRANAJE AVELLANADO
12	01.1193.00	INGRANAGGIO SVASATO	NH (TX-TF-TC)	COUNTERSUNK GEAR	ROUE DENTEE FRAISEE	SENKSTINRAD	ENGRANAJE AVELLANADO
12	01.1194.00	INGRANAGGIO SVASATO	DEUTH FAHR/MASSEY	COUNTERSUNK GEAR	ROUE DENTEE FRAISEE	SENKSTINRAD	ENGRANAJE AVELLANADO
13	01.1505.00	MOZZO DI TRASMISSIONE		HUB	MOYEU	NABE	CUBO
14	PMF-000078	VITE TCEI	M12X30	SOCKET HEAD SCREW	VIS CYLINDRIQUE	ZYLINDERSCHRAUBE	TORNILLO
15	M1-30231	SUPPORTO CUSCINETTO		SUPPORT BEARING	SUPPORT ROULEMENT	BUGELHALTER PENDELKUGELLAGER	SOPORTE COJINETTE
16	01.1207.00	DISTANZIALE		SPACER	EPAISSEUR	DISTANZSCHEIBE	ESPACIADOR
17	M1-20060	SCATOLA DI TRASMISSIONE		GEARBOX	BOITIER D'ENTRAINEMENT	GETRIEBE	CAJA ENGRANAJE
18	01.1515.00	FLANGIA		FLANGE	BRIDE	FLANSCH	PLACA



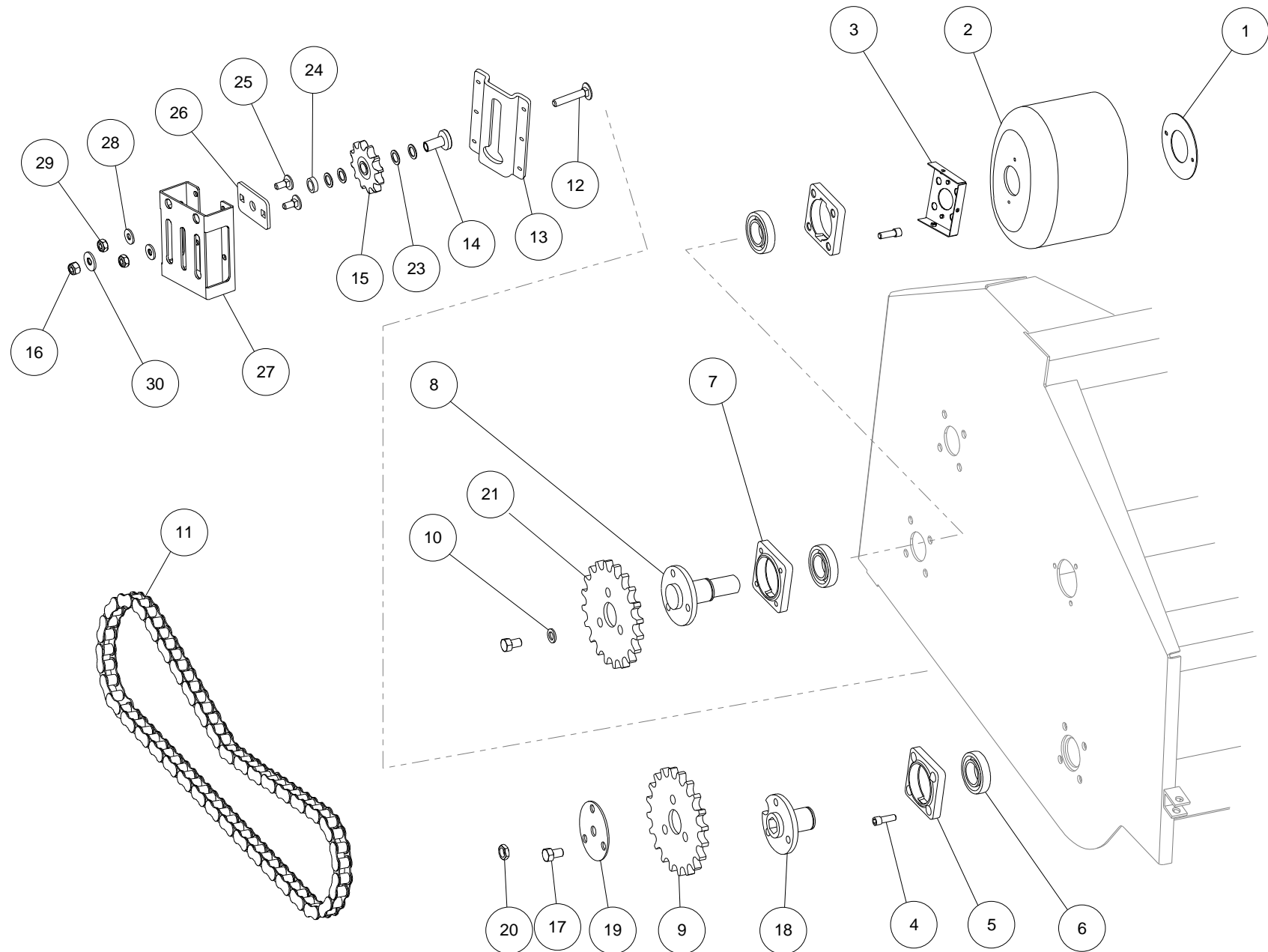
Pos	Code	Descrizione	Note	Description	Description	Beschreibung	Descripción
1	03.4774.00	COCLEA		AUGER	VIS SANS FIN	SCHNECKE	TORNILLO SIN FIN
2	01.1217.00	DISTANZIALE		SPACER	EPAISSEUR	DISTANZSCHEIBE	ESPACIADOR
3	02.1053.00	RONDELLA	12X30X4	WASHER	RONDELLE	SCHEIBE	ARANDELLA
4	PMF-000037	VITE TE	M12X50	HEXAGONAL SCREW	VIS SIX PANS	SECHSKANTSCHRAUBE	TORNILLO
5	01.0301.00	SUPPORTO CUSCINETTO		SUPPORT BEARING	SUPPORT ROULEMENT	BUGELHALTER PENDELKUGELLAGER	SOPORTE COJINETTE
6	PMF-000053	VITE TENSILOCK	M12X25	SECURING SCREW TENSILOCK	VIS TENSILOCK	SCHRAUBE TENSILOCK	TORNILLO TENSILOCK
7	PMS-000007	CUSCINETTO A SFERE		BALL BEARING	ROULEMENT A BILLES	KUGELLAGER	RODAMIENTO DE BOLAS
8	PMF-000058	ANELLO DI ARRESTO RADIALE	24X2	LOCK WASHER	BAGUE	SICHERUNGSSCHEIBE	ANILLO
9	PMF-000474	VITE TSEI	M12X20	COUNTERSUNK SCREW	VIS A TETE FRAISEE	SENKSCHRAUBE	TORNILLO
10	01.1500.00	STAFFA		BRACKET	SUPPORT	BUEGEL	SOPORTE
11	01.1059.00	VITE TSEI		COUNTERSUNK SCREW	VIS A TETE FRAISEE	SENKSCHRAUBE	TORNILLO
12	01.1186.00	INGRANAGGIO SVASATO	AGCO/CLAAS	COUNTERSUNK GEAR	ROUE DENTEE FRAISEE	SENKSTINRAD	ENGRANAJE AVELLANADO
12	01.1188.00	INGRANAGGIO SVASATO	CASE AFX/NH(CR-CX)	COUNTERSUNK GEAR	ROUE DENTEE FRAISEE	SENKSTINRAD	ENGRANAJE AVELLANADO
12	01.1192.00	INGRANAGGIO SVASATO	JOHN DEERE/ROST.	COUNTERSUNK GEAR	ROUE DENTEE FRAISEE	SENKSTINRAD	ENGRANAJE AVELLANADO
12	01.1192.00	INGRANAGGIO SVASATO	CASE IH/LAVERDA	COUNTERSUNK GEAR	ROUE DENTEE FRAISEE	SENKSTINRAD	ENGRANAJE AVELLANADO
12	01.1193.00	INGRANAGGIO SVASATO	NH (TX-TF-TC)	COUNTERSUNK GEAR	ROUE DENTEE FRAISEE	SENKSTINRAD	ENGRANAJE AVELLANADO
12	01.1194.00	INGRANAGGIO SVASATO	DEUTH FAHR/MASSEY	COUNTERSUNK GEAR	ROUE DENTEE FRAISEE	SENKSTINRAD	ENGRANAJE AVELLANADO
13	01.1505.00	MOZZO DI TRASMISSIONE		HUB	MOYEU	NABE	CUBO
14	PMF-000078	VITE TCEI	M12X30	SOCKET HEAD SCREW	VIS CYLINDRIQUE	ZYLINDERSCHRAUBE	TORNILLO
15	M1-30231	SUPPORTO CUSCINETTO		SUPPORT BEARING	SUPPORT ROULEMENT	BUGELHALTER PENDELKUGELLAGER	SOPORTE COJINETTE
16	01.1207.00	DISTANZIALE		SPACER	EPAISSEUR	DISTANZSCHEIBE	ESPACIADOR
17	M1-20060	SCATOLA DI TRASMISSIONE		GEARBOX	BOITIER D'ENTRAINEMENT	GETRIEBE	CAJA ENGRANAJE
18	01.1515.00	FLANGIA		FLANGE	BRIDE	FLANSCH	PLACA



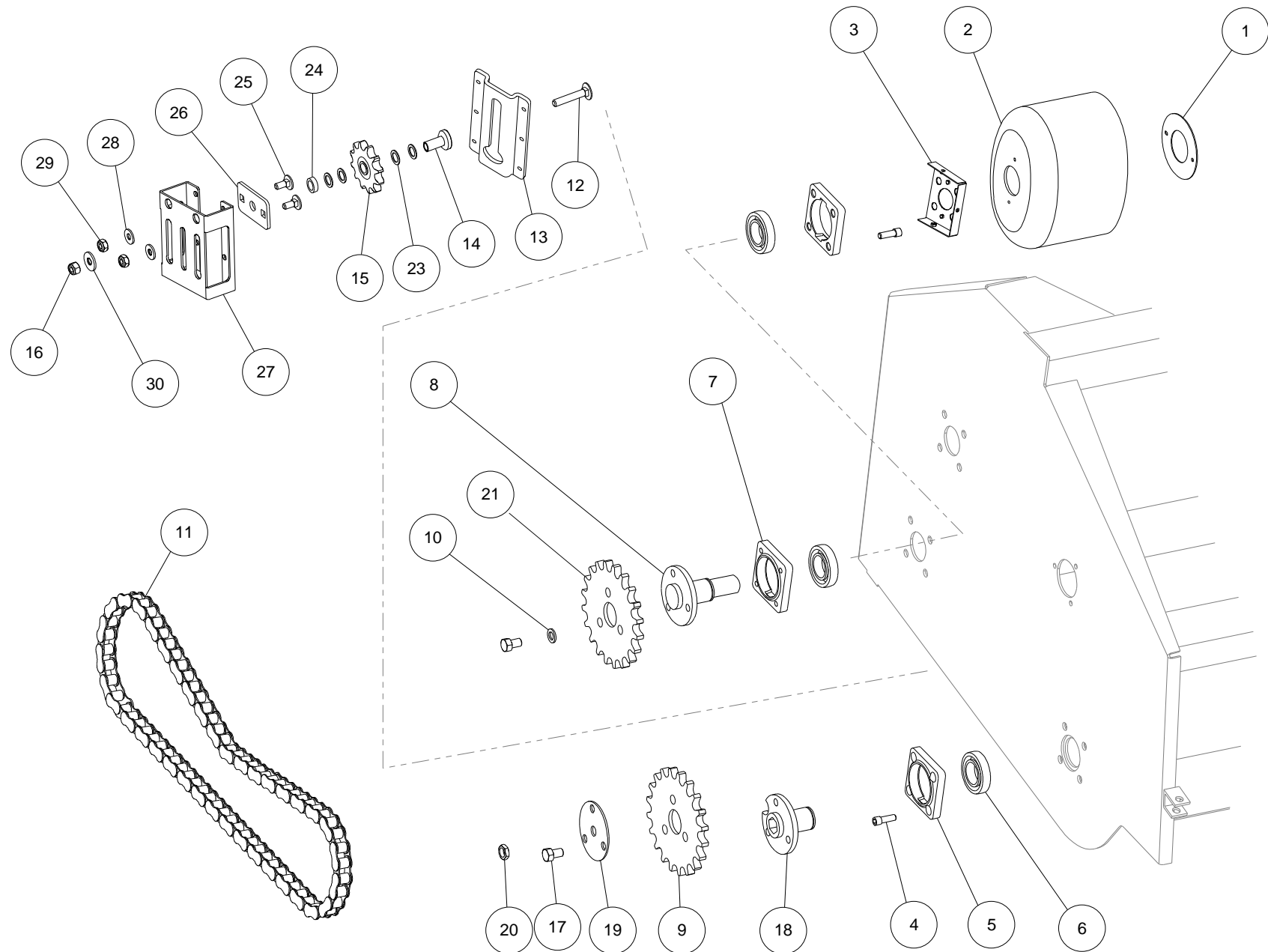
Pos	Code	Descrizione	Note	Description	Description	Beschreibung	Descripción
1	01.1515.00	FLANGIA		FLANGE	BRIDE	FLANSCH	PLACA
2	01.1217.00	DISTANZIALE		SPACER	EPAISSEUR	DISTANZSCHEIBE	ESPACIADOR
3	02.1053.00	RONDELLA	12X30X4	WASHER	RONDELLE	SCHEIBE	ARANDELLA
4	PMF-000037	VITE TE	M12X50	HEXAGONAL SCREW	VIS SIX PANS	SECHSKANTSCHRAUBE	TORNILLO
5	01.0301.00	SUPPORTO CUSCINETTO		SUPPORT BEARING	SUPPORT ROULEMENT	BUGELHALTER PENDELKUGELLAGER	SOPORTE COJINETTE
6	PMF-000053	VITE TENSILOCK	M12X25	SECURING SCREW TENSILOCK	VIS TENSILOCK	SCHRAUBE TENSILOCK	TORNILLO TENSILOCK
7	PMS-000007	CUSCINETTO A SFERE		BALL BEARING	ROULEMENT A BILLES	KUGELLAGER	RODAMIENTO DE BOLAS
8	PMF-000058	ANELLO DI ARRESTO RADIALE	24X2	LOCK WASHER	BAGUE	SICHERUNGSSCHEIBE	ANILLO
9	PMF-000474	VITE TSEI	M12X20	COUNTERSUNK SCREW	VIS A TETE FRAISEE	SENKSCHRAUBE	TORNILLO
10	01.1500.00	STAFFA		BRACKET	SUPPORT	BUEGEL	SOPORTE
11	01.1059.00	VITE TSEI		COUNTERSUNK SCREW	VIS A TETE FRAISEE	SENKSCHRAUBE	TORNILLO
12	01.1186.00	INGRANAGGIO SVASATO	AGCO/CLAAS	COUNTERSUNK GEAR	ROUE DENTEE FRAISEE	SENKSTINRAD	ENGRANAJE AVELLANADO
12	01.1188.00	INGRANAGGIO SVASATO	CASE AFX/NH(CR-CX)	COUNTERSUNK GEAR	ROUE DENTEE FRAISEE	SENKSTINRAD	ENGRANAJE AVELLANADO
12	01.1192.00	INGRANAGGIO SVASATO	JOHN DEERE/ROST	COUNTERSUNK GEAR	ROUE DENTEE FRAISEE	SENKSTINRAD	ENGRANAJE AVELLANADO
12	01.1192.00	INGRANAGGIO SVASATO	CASE IH/LAVERDA	COUNTERSUNK GEAR	ROUE DENTEE FRAISEE	SENKSTINRAD	ENGRANAJE AVELLANADO
12	01.1193.00	INGRANAGGIO SVASATO	NH (TX-TF-TC)	COUNTERSUNK GEAR	ROUE DENTEE FRAISEE	SENKSTINRAD	ENGRANAJE AVELLANADO
12	01.1194.00	INGRANAGGIO SVASATO	DEUTH FAHR/MASSEY	COUNTERSUNK GEAR	ROUE DENTEE FRAISEE	SENKSTINRAD	ENGRANAJE AVELLANADO
13	01.1505.00	MOZZO DI TRASMISSIONE		HUB	MOYEU	NABE	CUBO
14	PMF-000078	VITE TCEI	M12X30	SOCKET HEAD SCREW	VIS CYLINDRIQUE	ZYLINDERSCHRAUBE	TORNILLO
15	M1-30231	SUPPORTO CUSCINETTO		SUPPORT BEARING	SUPPORT ROULEMENT	BUGELHALTER PENDELKUGELLAGER	SOPORTE COJINETTE
16	01.1207.00	DISTANZIALE		SPACER	EPAISSEUR	DISTANZSCHEIBE	ESPACIADOR
17	M1-20060	SCATOLA DI TRASMISSIONE		GEARBOX	BOITIER D'ENTRAINEMENT	GETRIEBE	CAJA ENGRANAJE



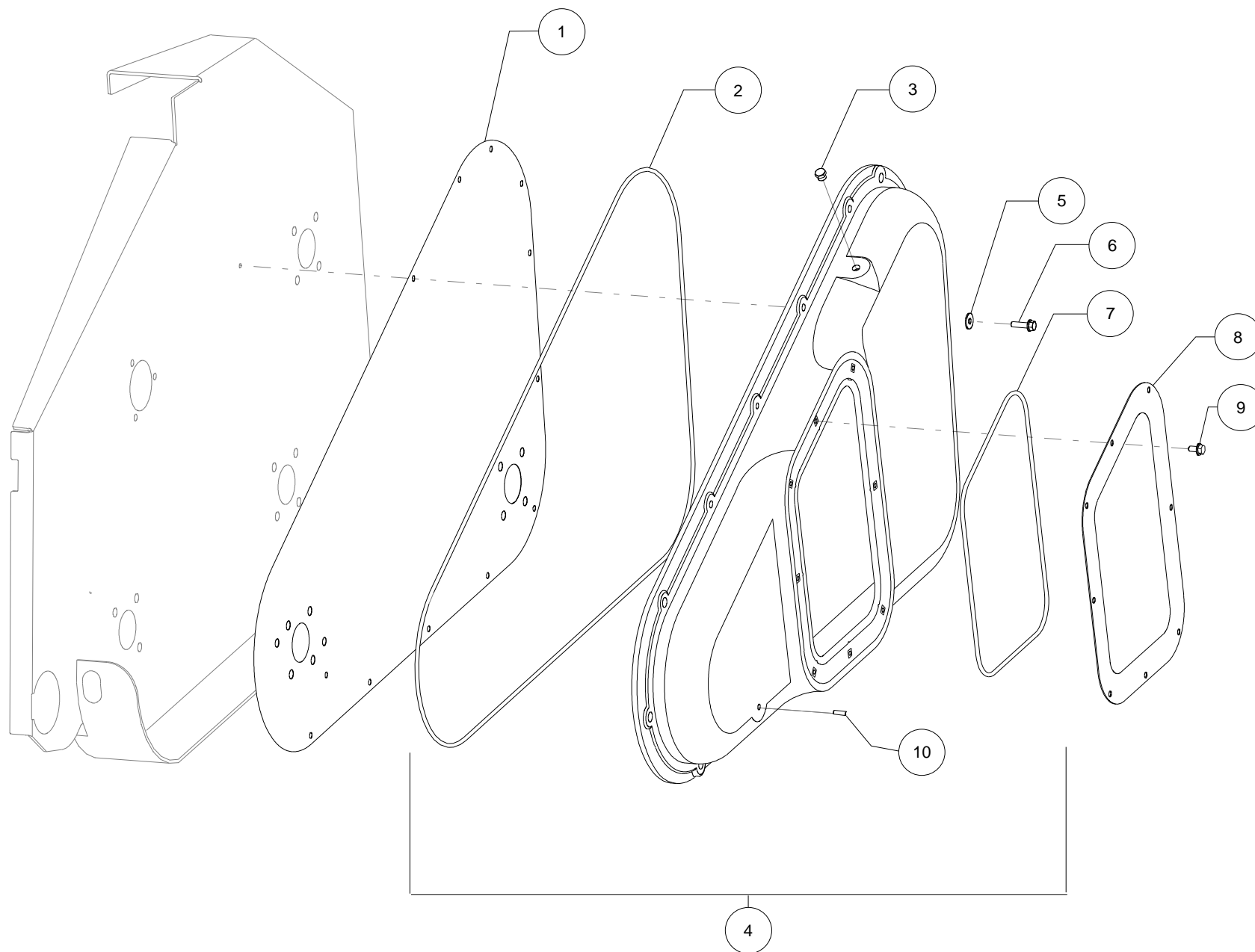
Pos	Code	Descrizione	Note	Description	Description	Beschreibung	Descripcìon
1	01.0510.01	INGRANAGGIO	Z12 ASA 60	GEAR	ROUE DENTEE	STINRAD	ENGRANAJE
2	PMF-000058	ANELLO DI ARRESTO RADIALE	24X2	LOCK WASHER	BAGUE	SICHERUNGSSCHEIBE	ANILLO
3	M1-30165	CATENA	ASA 60	CHAIN	CHAINE	KETTE	CADENA
4	PMF-000119	ANELLO ELASTICO	E 30X1.5	CIRCLIP	CIRCLIP	SICHERUNGSRING	ANILLO ELASTICO
5	PMF-000048	ANELLO ELASTICO	E 45X1.75	CIRCLIP	CIRCLIP	SICHERUNGSRING	ANILLO ELASTICO
6	02.2103.01	DISCO DI PROTEZIONE		DISC GUARD	DISQUE DE PROTECTION	DECKSCHEIBE	DISCO DE PROTECCION
7	PMS-000007	CUSCINETTO A SFERE		BALL BEARING	ROULEMENT A BILLES	KUGELLAGER	RODAMIENTO DE BOLAS
8	M1-30230	SUPPORTO CUSCINETTO		SUPPORT BEARING	SUPPORT ROULEMENT	BUGELHALTER PENDELKUGELLAGER	SOPORTE COJINETTE
9	PMT-000028	MAGLIA DI GIUNZIONE	ASA 60	LOCKING LINK	MAILLON DE RACCORD	VERSCHLUSSGLIED	ESLABON DE CADENA
10	01.0161.02	BLOCCHETTO FERMA ESAGONO		ADJUSTING RING	BAGUE D'ARRET	STELLRING	PARO



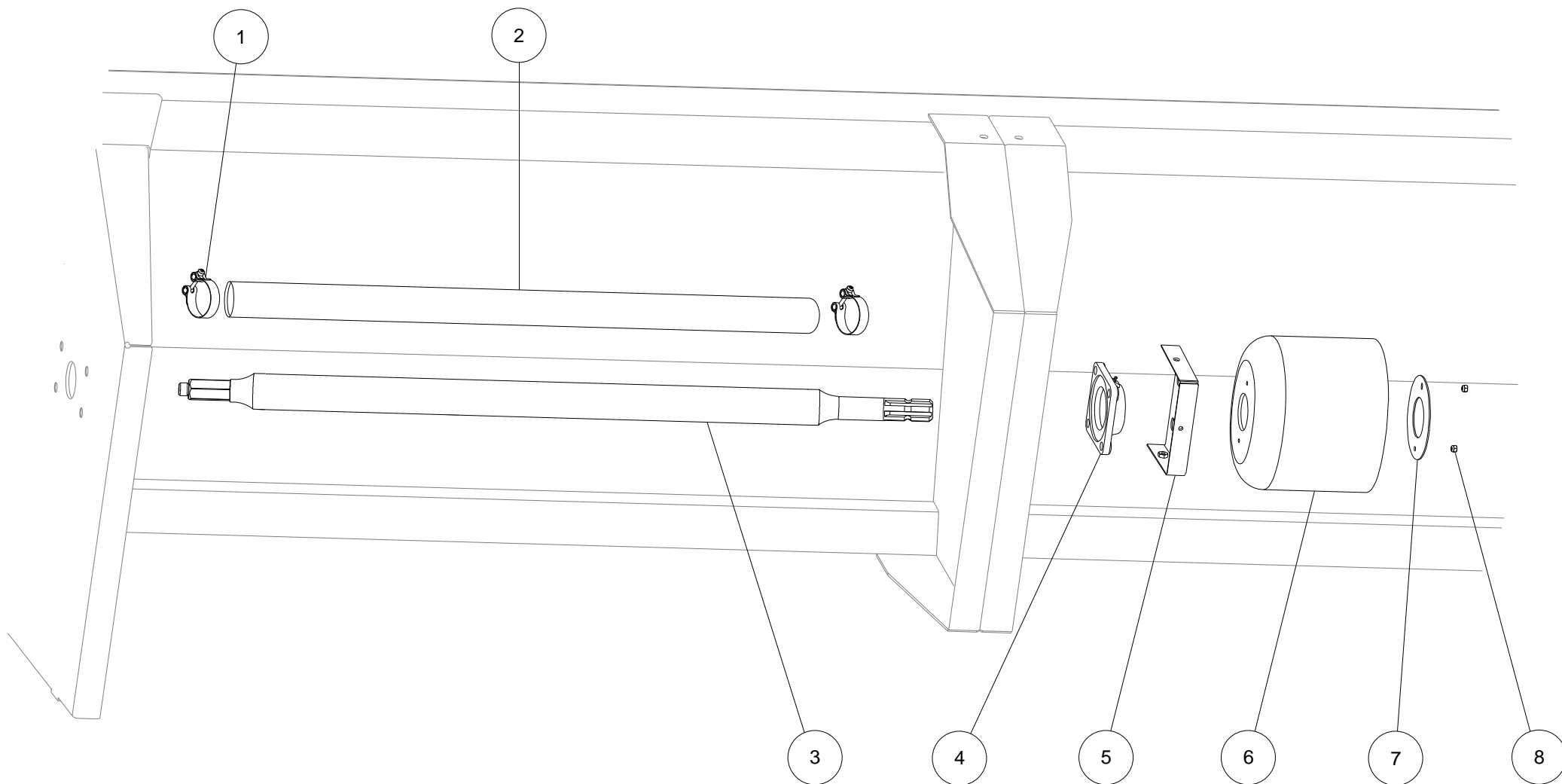
Pos	Code	Descrizione	Note	Description	Description	Beschreibung	Descripció
1	S1-30033	PIASTRA		PLATE	PLAQUE	PLATTE	PLACA
2	PMT-000019	CUFFIA DI PROTEZIONE		GUARD CAP	POT PROTECTION	SCHUTZTOPF	PROTECCION
3	S1-30032	SUPPORTO CUFFIA		COVER CAP	CHAPEAU	BUEGEL	PROTECCION
4	PMF-000184	VITE TCEI	M12X35	SOCKET HEAD SCREW	VIS CYLINDRIQUE	ZYLINDERSCHRAUBE	TORNILLO
5	M1-30231	SUPPORTO CUSCINETTO		SUPPORT BEARING	SUPPORT ROULEMENT	BUGELHALTER PENDELKUGELLAGER	SOPORTE COJINETTE
6	PMS-000007	CUSCINETTO A SFERE		BALL BEARING	ROULEMENT A BILLES	KUGELLAGER	RODAMIENTO DE BOLAS
7	M1-30230	SUPPORTO CUSCINETTO		SUPPORT BEARING	SUPPORT ROULEMENT	BUGELHALTER PENDELKUGELLAGER	SOPORTE COJINETTE
8	01.0220.00	ALBERO		SHAFT	ARBRE	WELLE	EJE
9	M1-30242	INGRANAGGIO	DEUTZ FAHR/ MASSEY F.	GEAR	ROUE DENTEE	STINRAD	ENGRANAJE
9	M1-30243	INGRANAGGIO	NH(TX-TF-TC)	GEAR	ROUE DENTEE	STINRAD	ENGRANAJE
9	M1-30244	INGRANAGGIO	JOHN DEERE/ROST	GEAR	ROUE DENTEE	STINRAD	ENGRANAJE
9	M1-30244	INGRANAGGIO	CASE IH/LAVERDA	GEAR	ROUE DENTEE	STINRAD	ENGRANAJE
9	M1-30246	INGRANAGGIO	CASE AFX/NH(CR-CX)	GEAR	ROUE DENTEE	STINRAD	ENGRANAJE
9	M1-30248	INGRANAGGIO	CLAAS/AGCO	GEAR	ROUE DENTEE	STINRAD	ENGRANAJE
10	PMF-000437	RONDELLA	17X30X3	WASHER	RONDELLE	SCHEIBE	ARANDELLA
11	03.4148.00	CATENA RIBADITA	JOHN DEERE	ROLLER CHAIN	CHAINE A ROULEAUX	KETTE	CADENA
11	03.4148.00	CATENA RIBADITA	CASE IH AFX	ROLLER CHAIN	CHAINE A ROULEAUX	KETTE	CADENA
11	03.4148.00	CATENA RIBADITA	NH (CR-CX)	ROLLER CHAIN	CHAINE A ROULEAUX	KETTE	CADENA
11	03.4149.00	CATENA RIBADITA	CASE IH	ROLLER CHAIN	CHAINE A ROULEAUX	KETTE	CADENA
11	03.4150.00	CATENA RIBADITA	CLAAS	ROLLER CHAIN	CHAINE A ROULEAUX	KETTE	CADENA
11	03.4150.00	CATENA RIBADITA	MASSEY F./ ROST.	ROLLER CHAIN	CHAINE A ROULEAUX	KETTE	CADENA
11	03.4191.00	CATENA RIBADITA	AGCO /LAVERDA	ROLLER CHAIN	CHAINE A ROULEAUX	KETTE	CADENA
11	03.4238.00	CATENA RIBADITA	NH (TX-TF-TC)	ROLLER CHAIN	CHAINE A ROULEAUX	KETTE	CADENA
11	03.4243.00	CATENA RIBADITA	DEUTZ FAHR	ROLLER CHAIN	CHAINE A ROULEAUX	KETTE	CADENA
12	02.4483.00	VITE TBQS	M14X85	COACH SCREW	VIS A TETE BOMBEE	FLACHRUNDSCHRAUBE	TORNILLO
13	01.1120.00	STAFFA TENDICATENA		BRACKET	ETRIER	BUEGEL	SOPORTE



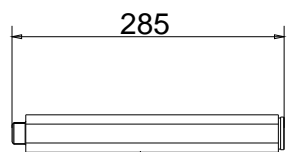
Pos	Code	Descrizione	Note	Description	Description	Beschreibung	Descripcìon
14	01.1602.00	BOCCOLA		BUSHING	DOUILLE	BÜCHSE	HEVILLA
15	01.0470.00	INGRANAGGIO TENDICATENA		CHAIN TENSION WHEEL	ROUE TENSION CHAINE	STINRAD	TENSOR DE CADENA
16	PMF-000031	DADO AUTOBLOCCANTE	M14	SECURING NUT	ECROU INDESSERRAB	SICHERUNGSMUTTER	CONTRATUERCA
17	PMF-000070	VITE TE	M16X25	HEXAGONAL SCREW	VIS SIX PANS	SECHSKANTSCHRAUBE	TORNILLO
18	01.0216.00	MOZZO DI TRASMISSIONE		HUB	MOYEU	NABE	CUBO
19	01.0821.00	PIASTRA		PLATE	PLAQUE	PLATTE	PLACA
20	PMF-000380	DADO	M20X1.5	HEXAGONAL NUT	ECROU SIX PANS	SICHERUNGSMUTTER	CONTRATUERCA
21	M1-30242	INGRANAGGIO	CLAAS	GEAR	ROUE DENTEE	STINRAD	ENGRANAJE
21	M1-30243	INGRANAGGIO	LAVERDA	GEAR	ROUE DENTEE	STINRAD	ENGRANAJE
21	M1-30244	INGRANAGGIO	NH (CR-CX)	GEAR	ROUE DENTEE	STINRAD	ENGRANAJE
21	M1-30244	INGRANAGGIO	AGCO/ CASE AFX	GEAR	ROUE DENTEE	STINRAD	ENGRANAJE
21	M1-30245	INGRANAGGIO	DEUTZ FAHR	GEAR	ROUE DENTEE	STINRAD	ENGRANAJE
21	M1-30246	INGRANAGGIO	CASE IH/NH(TX-TF-TC)	GEAR	ROUE DENTEE	STINRAD	ENGRANAJE
21	M1-30246	INGRANAGGIO	JOHN DEERE/ ROST.	GEAR	ROUE DENTEE	STINRAD	ENGRANAJE
21	M1-30248	INGRANAGGIO	MASSEY FERGUSON	GEAR	ROUE DENTEE	STINRAD	ENGRANAJE
23	PMF-000303	DISTANZIALE		SPACER	EPAISSEUR	DISTANZSCHEIBE	ESPACIADOR
24	01.1606.00	DISTANZIALE		SPACER	EPAISSEUR	DISTANZSCHEIBE	ESPACIADOR
25	PMF-000253	VITE TBQS	M12X30	COACH SCREW	VIS A TETE BOMBEE	FLACHRUNDSCHRAUBE	TORNILLO
26	01.1661.00	PIASTRA		PLATE	PLAQUE	PLATTE	PLACA
27	01.1660.02	STAFFA SUPPORTO GALOPPINO		BRACKET	ETRIER	BUEGEL	SOPORTE
28	02.4485.00	DISTANZIALE		SPACER	EPAISSEUR	DISTANZSCHEIBE	ESPACIADOR
29	PMF-000024	DADO AUTOBLOCCANTE	M12	SECURING NUT	ECROU INDESSERRAB	SICHERUNGSMUTTER	CONTRATUERCA
30	PMF-000260	DISTANZIALE		SPACER	EPAISSEUR	DISTANZSCHEIBE	ESPACIADOR



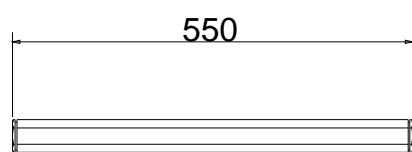
Pos	Code	Descrizione	Note	Description	Description	Beschreibung	Descripcìon
1	01.2379.00	PIASTRA		PLATE	PLAQUE	PLATTE	PLACA
2	03.4907.00	GUARNIZIONE		SEAL	ETOUPAGE	DICHTUNG	JUNTA
3	PO-000241	TAPPO SFIATO	1/4"	SCREW PLUG	BOUCHON FILETEE	VERSCHL SCHAUBE	TAPON ROSCADO
4	03.4864.00	CARTER ROTAZIONALE SINISTRO		LEFT GUARD	GARANT GAUCHE	SCHUTZ LINKS	PROTECCION IZQUIERDA
4	03.4865.00	CARTER ROTAZIONALE DESTRO		RIGHT GUARD	GARANT DROITE	SCHUTZ RECHTS	REPARO DERECHO
5	PMF-000074	RONDELLA	8.4X24X2	WASHER	RONDELLE	SCHEIBE	ARANDELLA
6	02.2099.00	VITE TENSILOCK	M8X30	SECURING SCREW TENSILOCK	VIS TENSILOCK	SCHRAUBE TENSILOCK	TORNILLO TENSILOCK
7	03.4908.00	GUARNIZIONE		SEAL	ETOUPAGE	DICHTUNG	JUNTA
8	01.2377.00	CARTER D'ISPEZIONE DESTRO		RIGHT COVER	COUVERCLE DROITE	DECKEL RECHTS	COBERTURA DERECHA
8	01.2465.00	CARTER D'ISPEZIONE SINISTRO		LEFT COVER	COUVERCLE GAUCHE	DECKEL LINKS	COBERTURA IZQUIERDA
9	PMF-000047	VITE TENSILOCK	M8X16	SECURING SCREW TENSILOCK	VIS TENSILOCK	SCHRAUBE TENSILOCK	TORNILLO TENSILOCK
10	PMF-000534	VITE STEI	1/8"	GRUB SCREW	GOUPILLE	NUT	TORNILLO



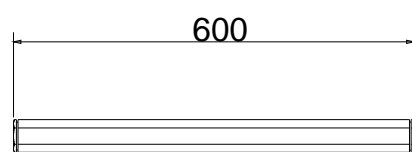
Pos	Code	Descrizione	Note	Description	Description	Beschreibung	Descripcìon
1	PMF-000241	COLLARE		SHAFT COLLAR	BAGUE D'ARRET	STELLRING	ANILLO DE FIJACION
2	01.0663.00	PROTEZIONE		PROTECTION	PROTECTION	SCHUTZ	PROTECCION
3	01.0699.01	ALBERO	12R-750	SHAFT	ARBRE	WELLE	EJE
3	01.2105.00	ALBERO	10R-750	SHAFT	ARBRE	WELLE	EJE
3	01.2595.00	ALBERO	12R-700	SHAFT	ARBRE	WELLE	EJE
4	PMS-000006	SUPPORTO CUSCINETTO		SUPPORT BEARING	SUPPORT ROULEMENT	BUGELHALTER PENDELKUGELLAGER SOPORTE COJINETTE	
5	S1-30032	SUPPORTO CUFFIA		COVER CAP	CHAPEAU	BUEGEL	PROTECCION
6	PMT-000019	CUFFIA DI PROTEZIONE		GUARD CAP	POT PROTECTION	SCHUTZTOPF	PROTECCION
7	S1-30033	PIASTRA		PLATE	PLAQUE	PLATTE	PLACA
8	PMF-000015	DADO AUTOBLOCCANTE	M6	SECURING NUT	ECROU INDESSERRAB	SICHERUNGSMUTTER	CONTRATUERCA



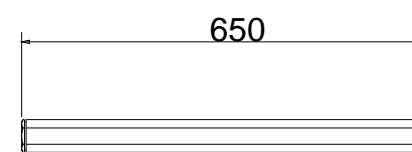
1



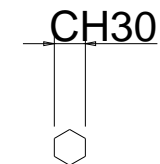
2



3



4



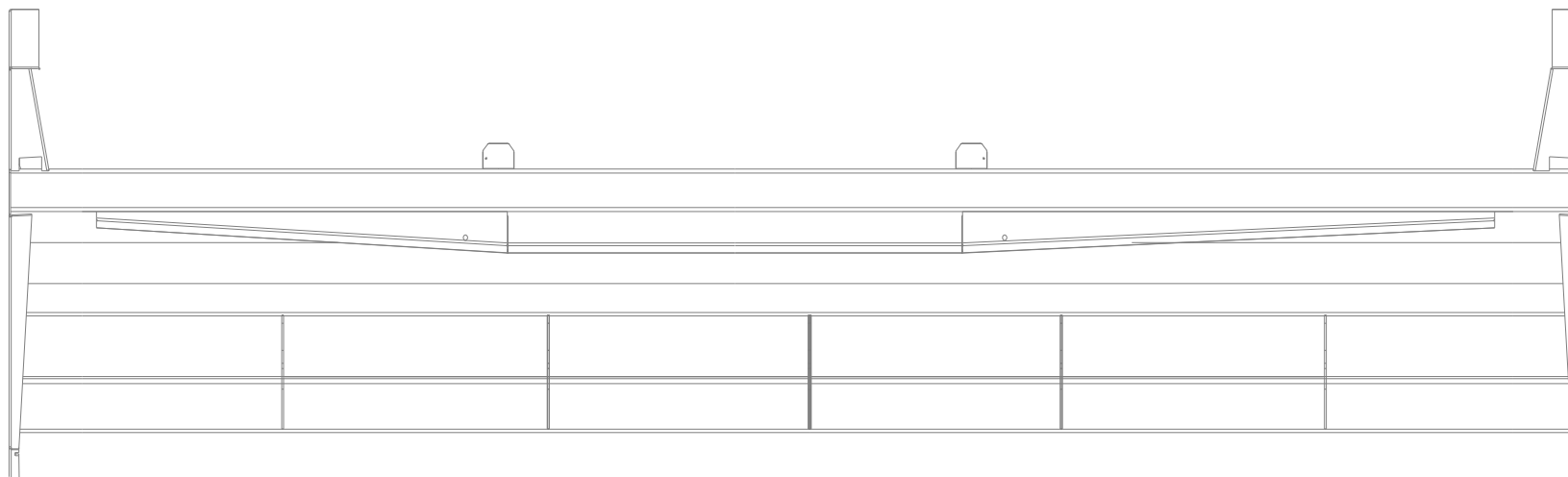
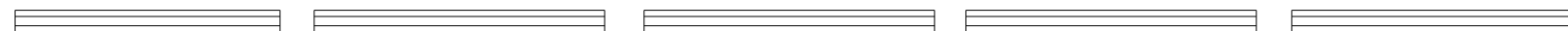
1

2

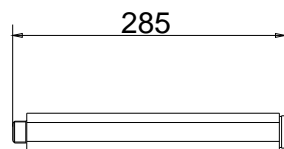
3

3

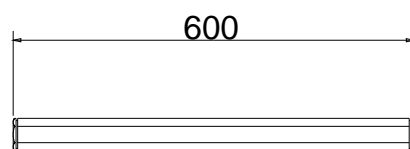
4



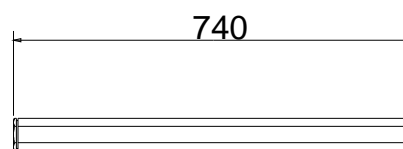
Pos	Code	Descrizione	Note	Description	Description	Beschreibung	Descripcìon
1	01.0796.00	ALBERO ESAGONALE		HEXAGONAL SHAFT	ARBRE SIX PANS	WELLE	EJE HEXAGONAL
2	01.1748.00	ALBERO ESAGONALE		HEXAGONAL SHAFT	ARBRE SIX PANS	WELLE	EJE HEXAGONAL
3	01.1752.00	ALBERO ESAGONALE		HEXAGONAL SHAFT	ARBRE SIX PANS	WELLE	EJE HEXAGONAL
4	01.1747.00	ALBERO ESAGONALE		HEXAGONAL SHAFT	ARBRE SIX PANS	WELLE	EJE HEXAGONAL



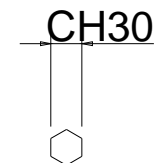
1



2



3



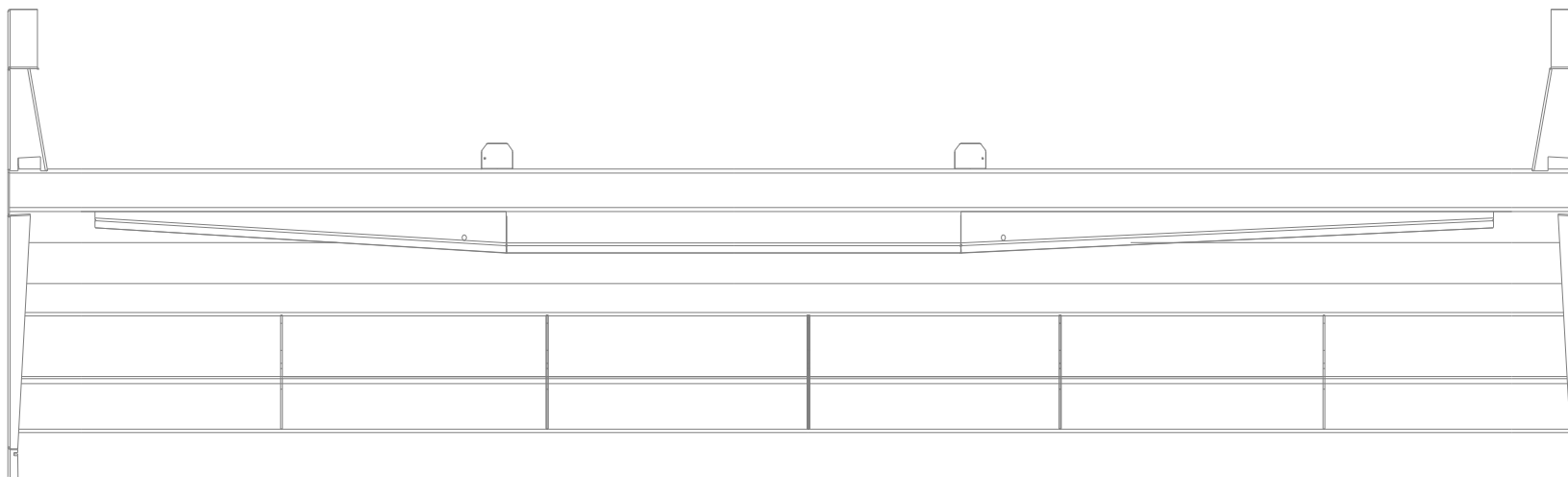
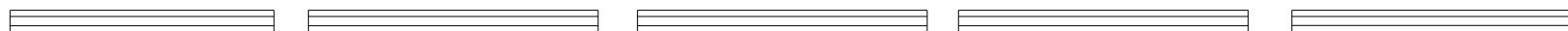
1

2

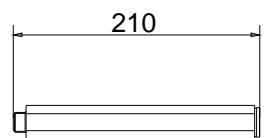
3

3

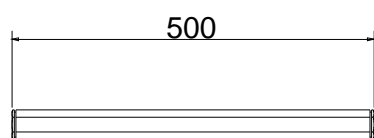
2



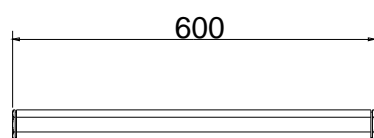
Pos	Code	Descrizione	Note	Description	Description	Beschreibung	Descripcìon
1	01.0796.00	ALBERO ESAGONALE		HEXAGONAL SHAFT	ARBRE SIX PANS	WELLE	EJE HEXAGONAL
2	01.1752.00	ALBERO ESAGONALE		HEXAGONAL SHAFT	ARBRE SIX PANS	WELLE	EJE HEXAGONAL
3	01.0500.01	ALBERO ESAGONALE		HEXAGONAL SHAFT	ARBRE SIX PANS	WELLE	EJE HEXAGONAL



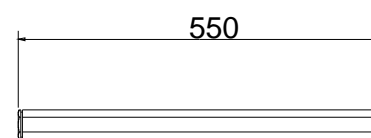
1



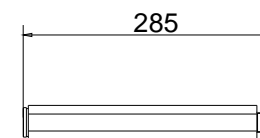
2



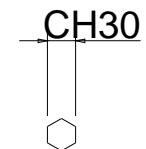
3



4



5



1

2

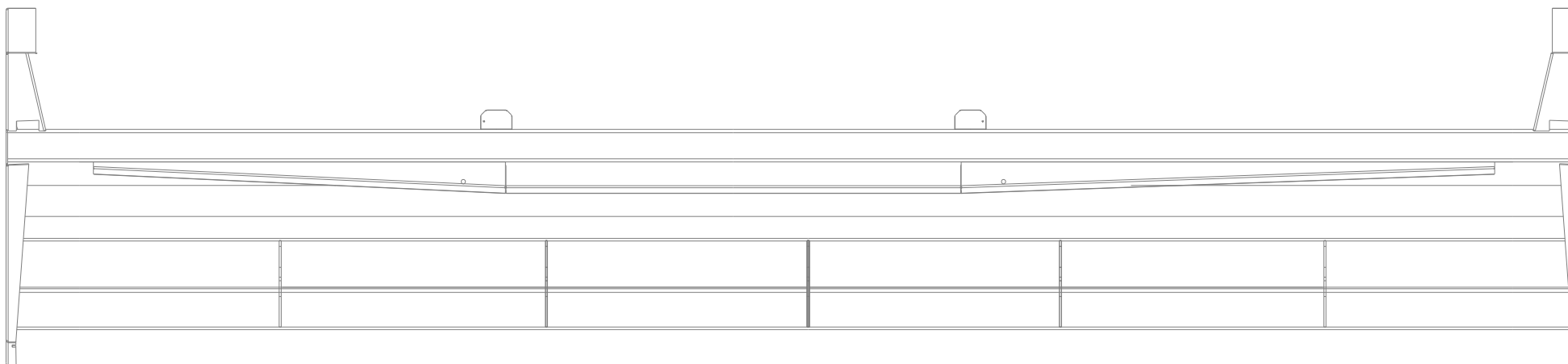
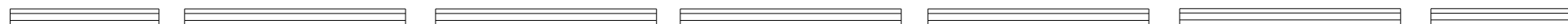
1

3

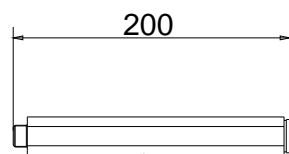
2

4

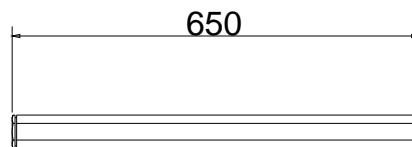
5



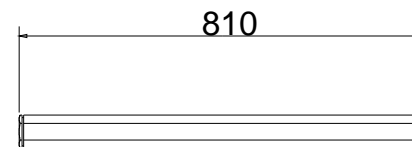
Pos	Code	Descrizione	Note	Description	Description	Beschreibung	Descripcìon
1	01.1745.00	ALBERO ESAGONALE		HEXAGONAL SHAFT	ARBRE SIX PANS	WELLE	EJE HEXAGONAL
2	01.1749.00	ALBERO ESAGONALE		HEXAGONAL SHAFT	ARBRE SIX PANS	WELLE	EJE HEXAGONAL
3	01.1752.00	ALBERO ESAGONALE		HEXAGONAL SHAFT	ARBRE SIX PANS	WELLE	EJE HEXAGONAL
4	01.1748.00	ALBERO ESAGONALE		HEXAGONAL SHAFT	ARBRE SIX PANS	WELLE	EJE HEXAGONAL
5	01.0796.00	ALBERO ESAGONALE		HEXAGONAL SHAFT	ARBRE SIX PANS	WELLE	EJE HEXAGONAL



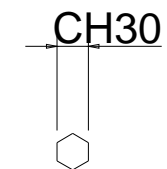
1



2



3



1

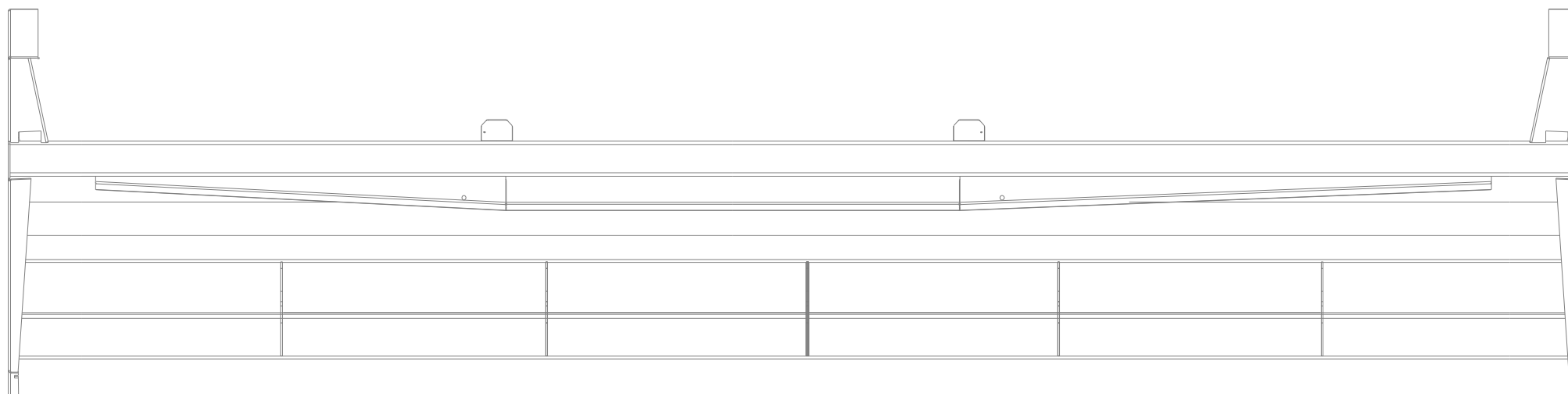
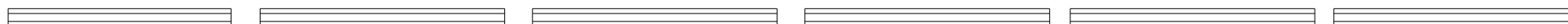
2

2

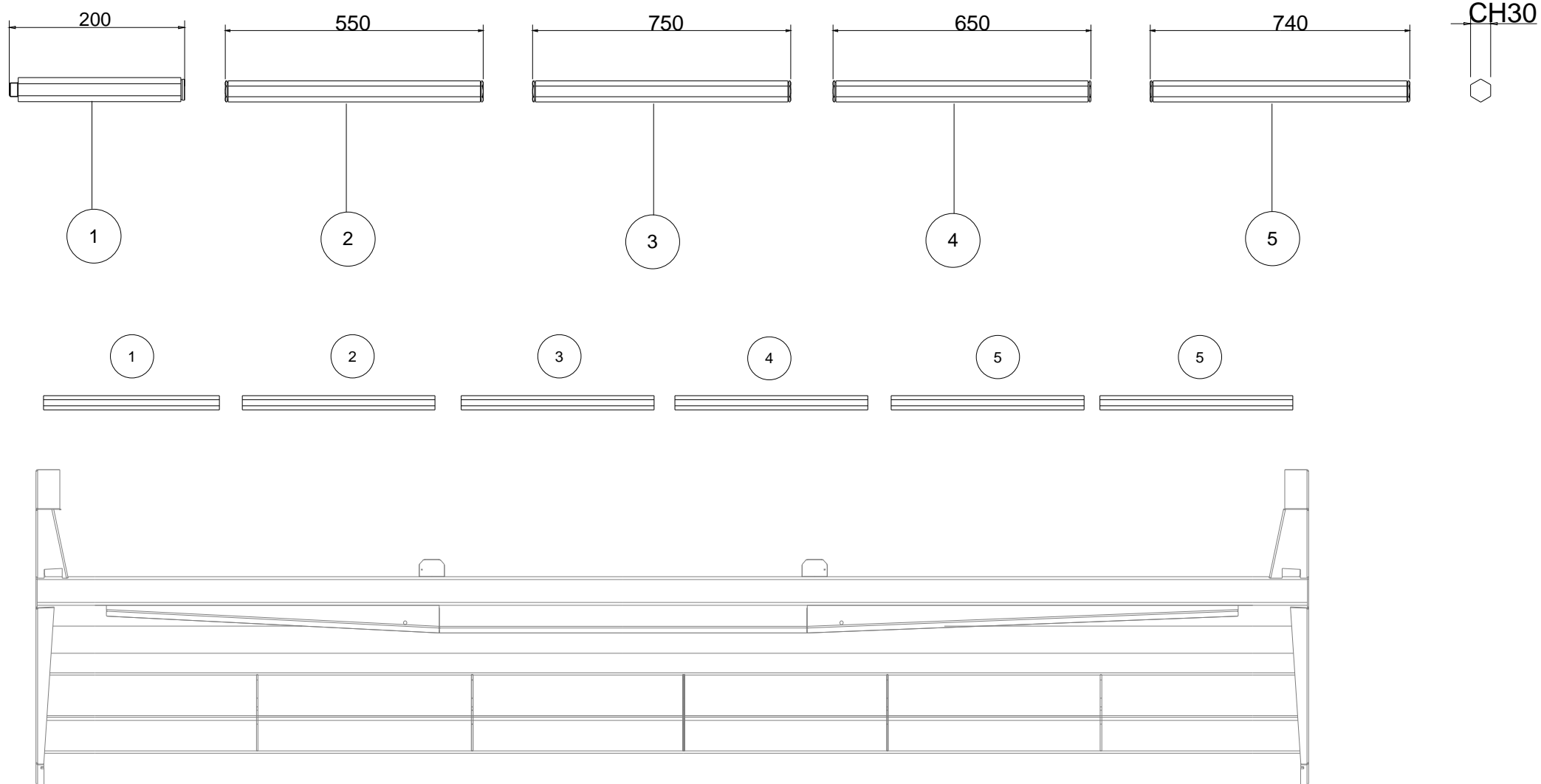
2

2

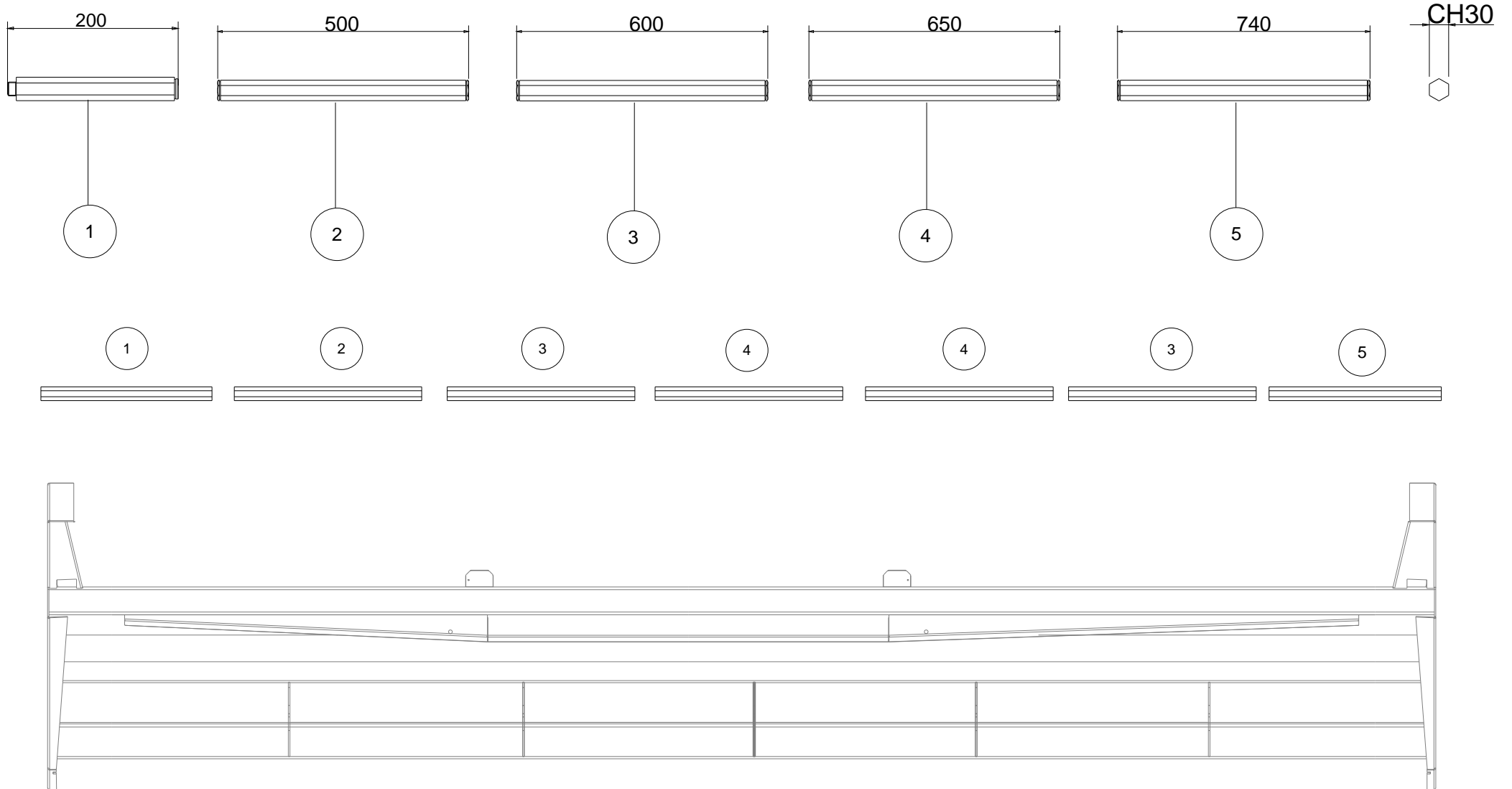
3



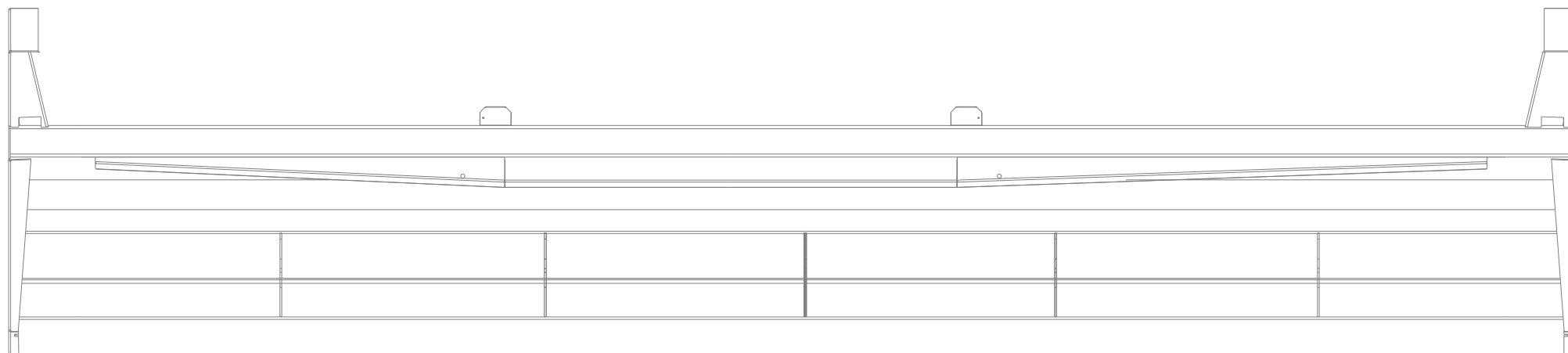
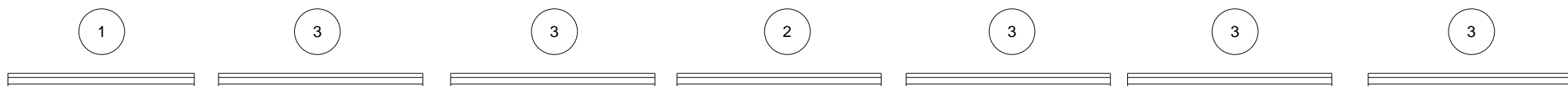
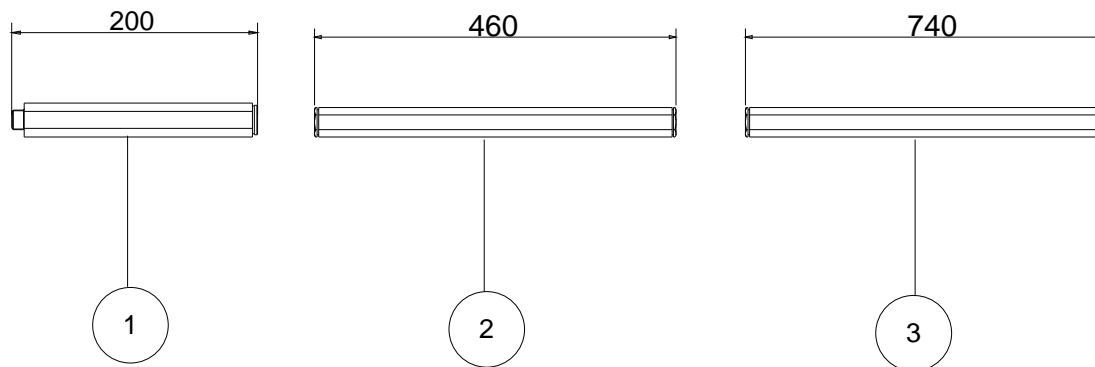
Pos	Code	Descrizione	Note	Description	Description	Beschreibung	Descripcìon
1	01.1745.00	ALBERO ESAGONALE		HEXAGONAL SHAFT	ARBRE SIX PANS	WELLE	EJE HEXAGONAL
2	01.1747.00	ALBERO ESAGONALE		HEXAGONAL SHAFT	ARBRE SIX PANS	WELLE	EJE HEXAGONAL
3	01.1746.00	ALBERO ESAGONALE		HEXAGONAL SHAFT	ARBRE SIX PANS	WELLE	EJE HEXAGONAL



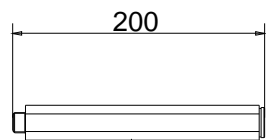
Pos	Code	Descrizione	Note	Description	Description	Beschreibung	Descripcìon
1	01.1745.00	ALBERO ESAGONALE		HEXAGONAL SHAFT	ARBRE SIX PANS	WELLE	EJE HEXAGONAL
2	01.1748.00	ALBERO ESAGONALE		HEXAGONAL SHAFT	ARBRE SIX PANS	WELLE	EJE HEXAGONAL
3	01.2946.00	ALBERO ESAGONALE		HEXAGONAL SHAFT	ARBRE SIX PANS	WELLE	EJE HEXAGONAL
4	01.1747.00	ALBERO ESAGONALE		HEXAGONAL SHAFT	ARBRE SIX PANS	WELLE	EJE HEXAGONAL
5	01.0500.01	ALBERO ESAGONALE		HEXAGONAL SHAFT	ARBRE SIX PANS	WELLE	EJE HEXAGONAL



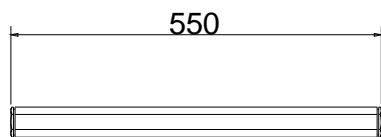
Pos	Code	Descrizione	Note	Description	Description	Beschreibung	Descripcìon
1	01.1745.00	ALBERO ESAGONALE		HEXAGONAL SHAFT	ARBRE SIX PANS	WELLE	EJE HEXAGONAL
2	01.1749.00	ALBERO ESAGONALE		HEXAGONAL SHAFT	ARBRE SIX PANS	WELLE	EJE HEXAGONAL
3	01.1752.00	ALBERO ESAGONALE		HEXAGONAL SHAFT	ARBRE SIX PANS	WELLE	EJE HEXAGONAL
4	01.1747.00	ALBERO ESAGONALE		HEXAGONAL SHAFT	ARBRE SIX PANS	WELLE	EJE HEXAGONAL
5	01.0500.01	ALBERO ESAGONALE		HEXAGONAL SHAFT	ARBRE SIX PANS	WELLE	EJE HEXAGONAL



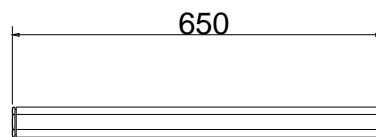
Pos	Code	Descrizione	Note	Description	Description	Beschreibung	Descripcìon
1	01.1745.00	ALBERO ESAGONALE		HEXAGONAL SHAFT	ARBRE SIX PANS	WELLE	EJE HEXAGONAL
2	01.0795.00	ALBERO ESAGONALE		HEXAGONAL SHAFT	ARBRE SIX PANS	WELLE	EJE HEXAGONAL
3	01.0500.01	ALBERO ESAGONALE		HEXAGONAL SHAFT	ARBRE SIX PANS	WELLE	EJE HEXAGONAL



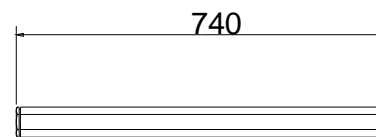
1



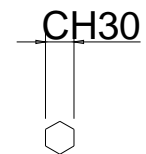
2



3



4



1

2

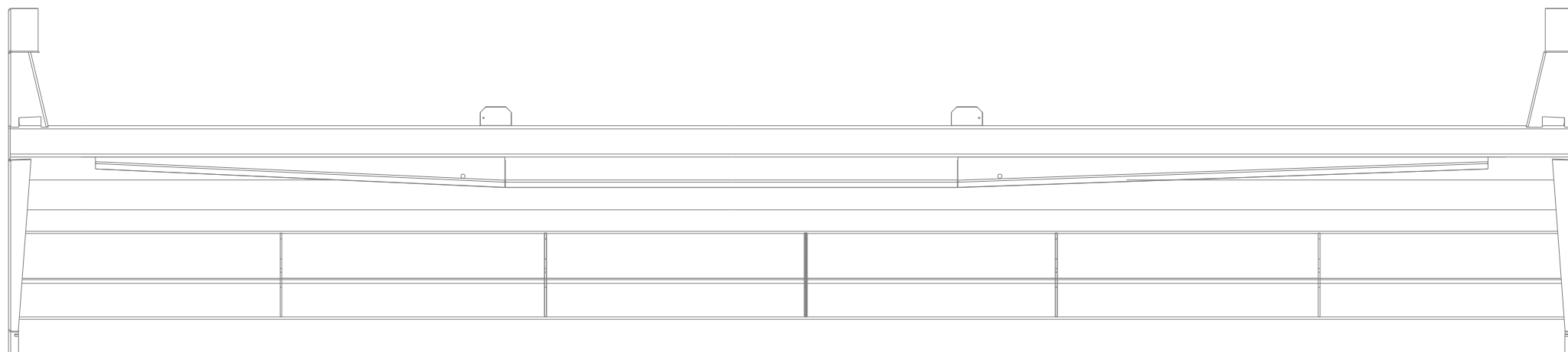
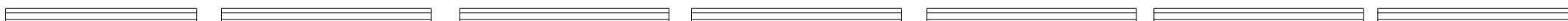
3

4

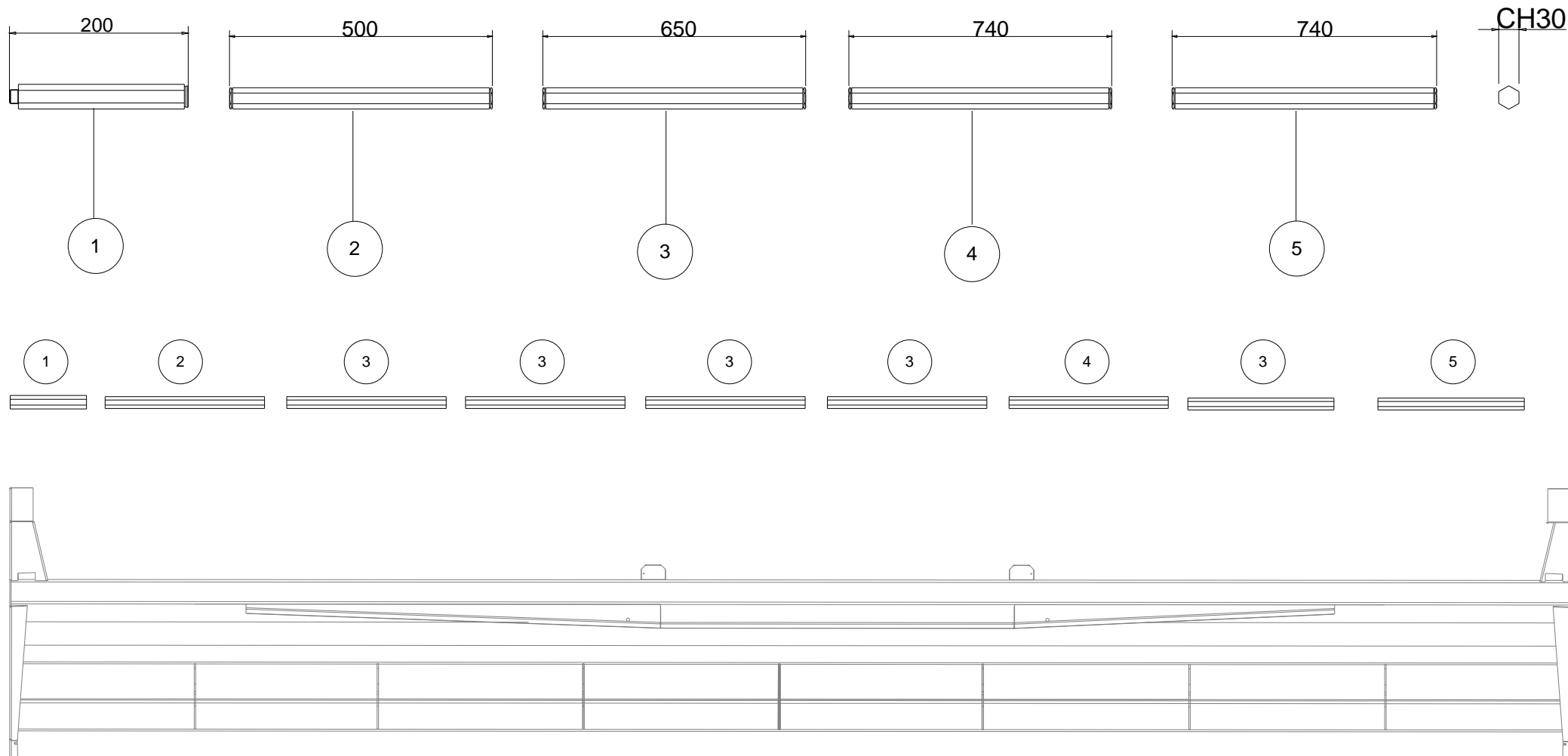
4

3

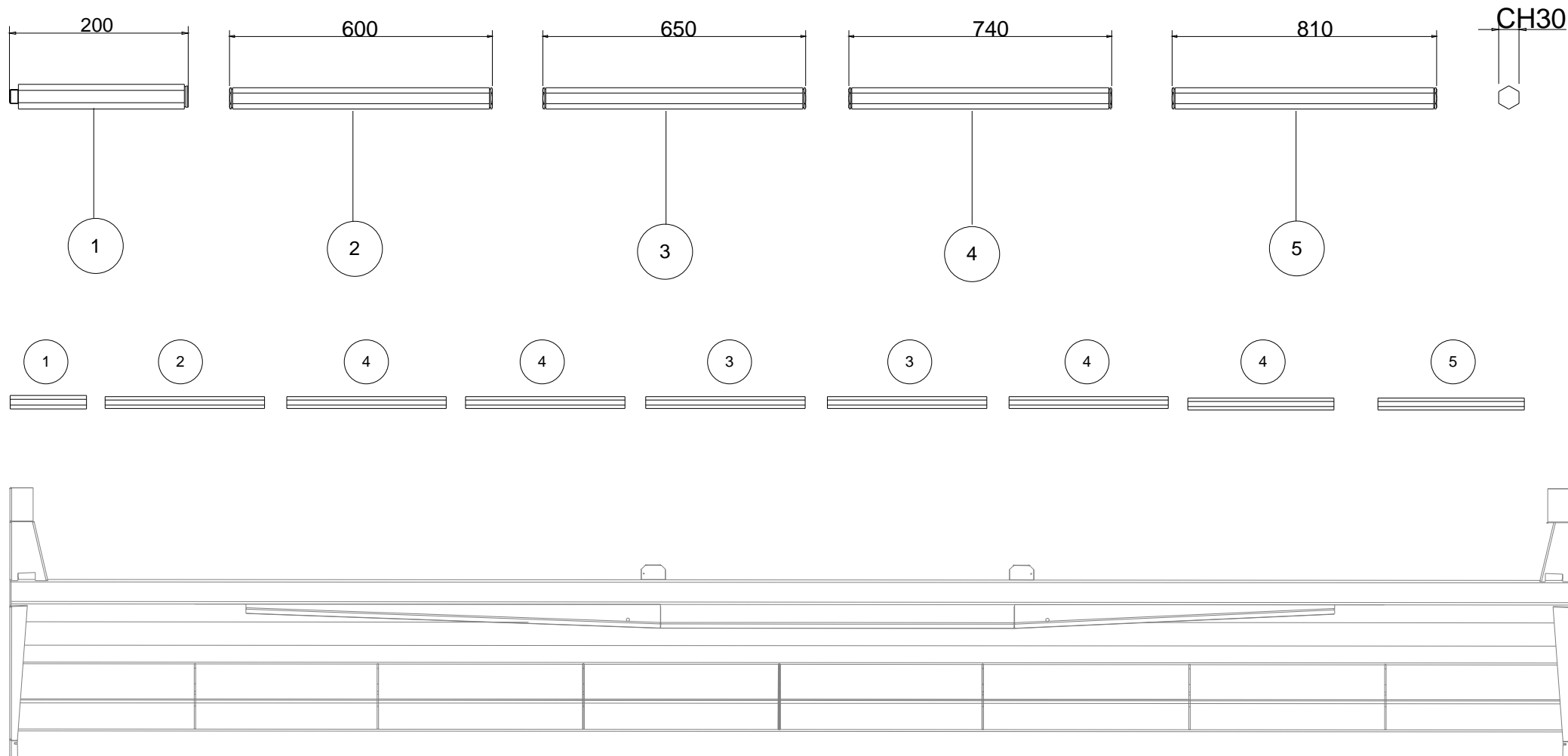
4



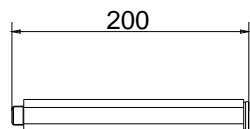
Pos	Code	Descrizione	Note	Description	Description	Beschreibung	Descripcìon
1	01.1745.00	ALBERO ESAGONALE		HEXAGONAL SHAFT	ARBRE SIX PANS	WELLE	EJE HEXAGONAL
2	01.1748.00	ALBERO ESAGONALE		HEXAGONAL SHAFT	ARBRE SIX PANS	WELLE	EJE HEXAGONAL
3	01.1747.00	ALBERO ESAGONALE		HEXAGONAL SHAFT	ARBRE SIX PANS	WELLE	EJE HEXAGONAL
4	01.0500.01	ALBERO ESAGONALE		HEXAGONAL SHAFT	ARBRE SIX PANS	WELLE	EJE HEXAGONAL



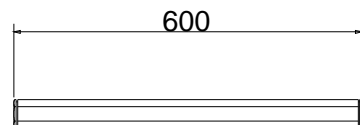
Pos	Code	Descrizione	Note	Description	Description	Beschreibung	Descripcìon
1	01.1745.00	ALBERO ESAGONALE		HEXAGONAL SHAFT	ARBRE SIX PANS	WELLE	EJE HEXAGONAL
2	01.1749.00	ALBERO ESAGONALE		HEXAGONAL SHAFT	ARBRE SIX PANS	WELLE	EJE HEXAGONAL
3	01.1747.00	ALBERO ESAGONALE		HEXAGONAL SHAFT	ARBRE SIX PANS	WELLE	EJE HEXAGONAL
4	01.0500.01	ALBERO ESAGONALE		HEXAGONAL SHAFT	ARBRE SIX PANS	WELLE	EJE HEXAGONAL
5	01.2475.00	ALBERO ESAGONALE		HEXAGONAL SHAFT	ARBRE SIX PANS	WELLE	EJE HEXAGONAL



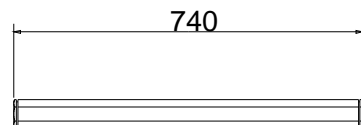
Pos	Code	Descrizione	Note	Description	Description	Beschreibung	Descripcìon
1	01.2475.00	ALBERO ESAGONALE		HEXAGONAL SHAFT	ARBRE SIX PANS	WELLE	EJE HEXAGONAL
2	01.1752.00	ALBERO ESAGONALE		HEXAGONAL SHAFT	ARBRE SIX PANS	WELLE	EJE HEXAGONAL
3	01.1747.00	ALBERO ESAGONALE		HEXAGONAL SHAFT	ARBRE SIX PANS	WELLE	EJE HEXAGONAL
4	01.0500.01	ALBERO ESAGONALE		HEXAGONAL SHAFT	ARBRE SIX PANS	WELLE	EJE HEXAGONAL
5	01.2477.00	ALBERO ESAGONALE		HEXAGONAL SHAFT	ARBRE SIX PANS	WELLE	EJE HEXAGONAL



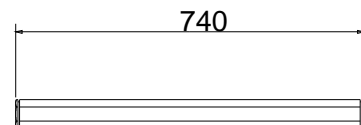
1



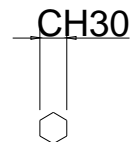
2



3



4



1

2

3

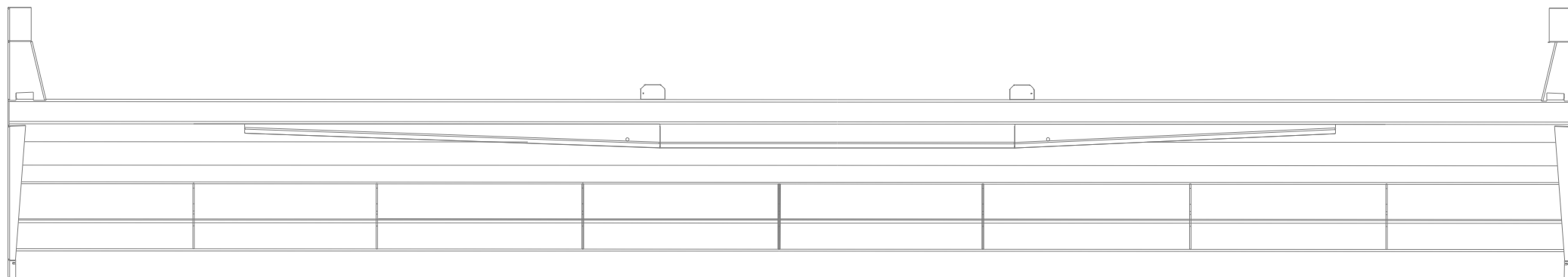
3

3

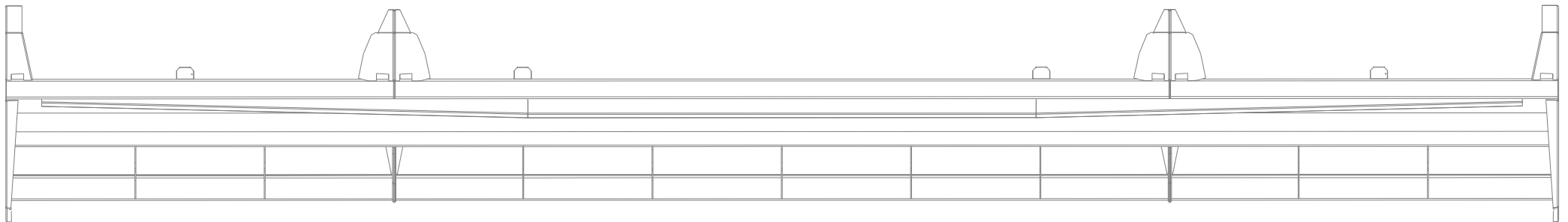
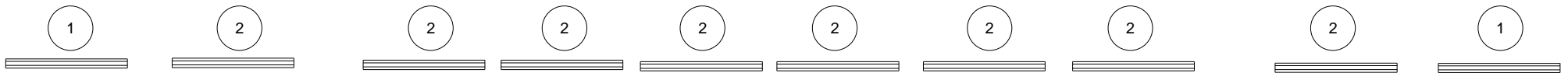
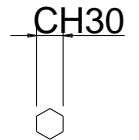
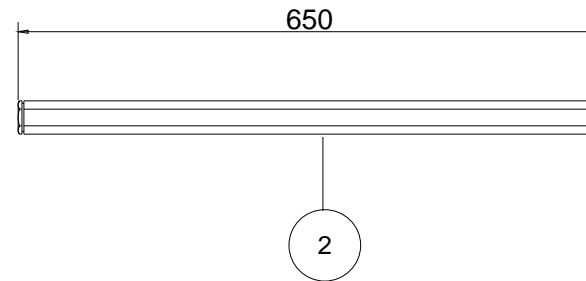
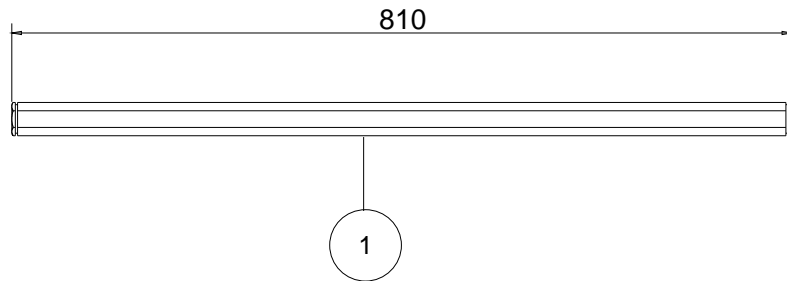
3

3

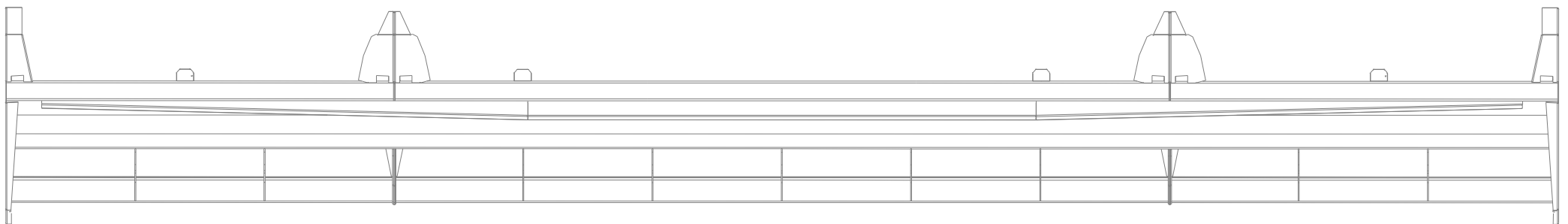
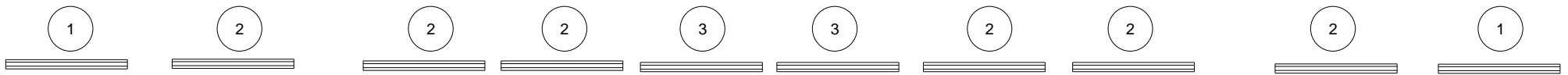
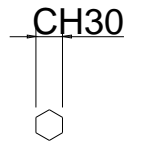
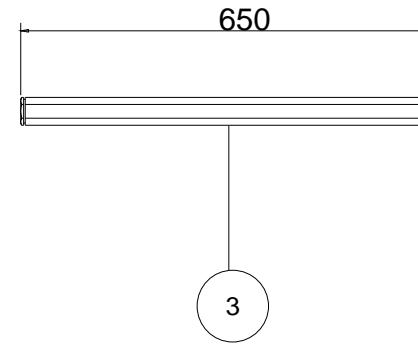
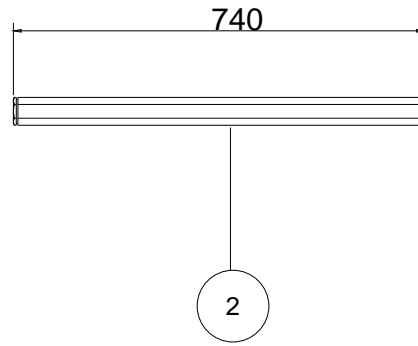
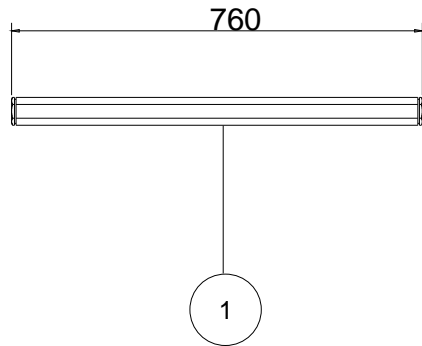
4



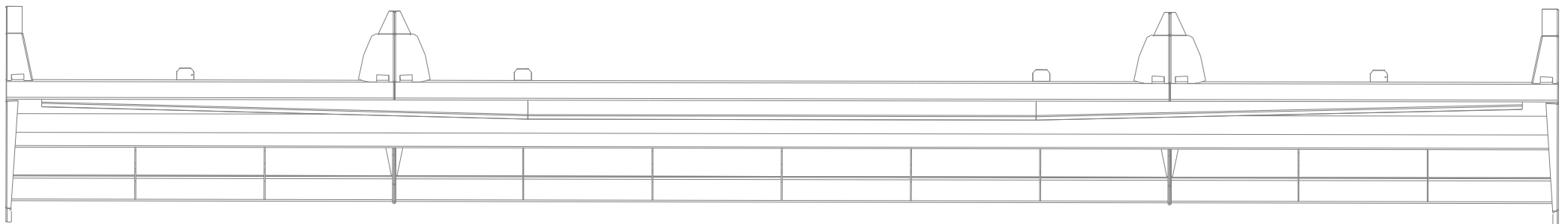
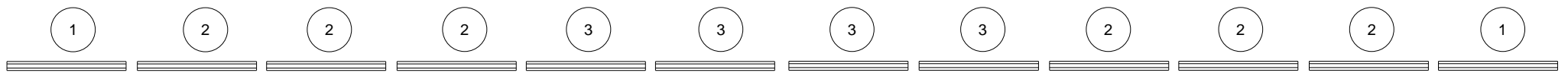
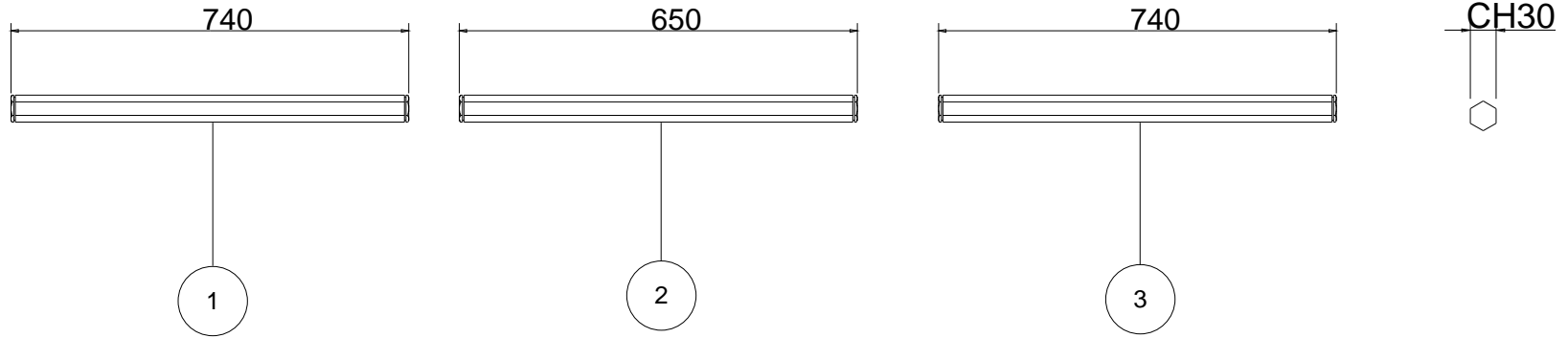
Pos	Code	Descrizione	Note	Description	Description	Beschreibung	Descripcìon
1	01.1745.00	ALBERO ESAGONALE		HEXAGONAL SHAFT	ARBRE SIX PANS	WELLE	EJE HEXAGONAL
2	01.1752.00	ALBERO ESAGONALE		HEXAGONAL SHAFT	ARBRE SIX PANS	WELLE	EJE HEXAGONAL
3	01.0500.01	ALBERO ESAGONALE		HEXAGONAL SHAFT	ARBRE SIX PANS	WELLE	EJE HEXAGONAL
4	01.2475.00	ALBERO ESAGONALE		HEXAGONAL SHAFT	ARBRE SIX PANS	WELLE	EJE HEXAGONAL



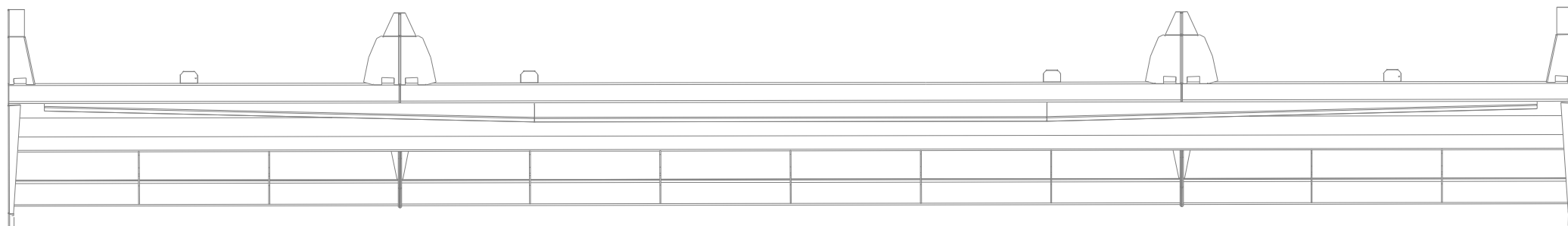
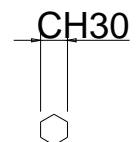
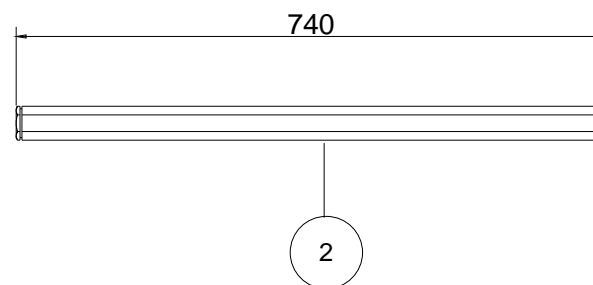
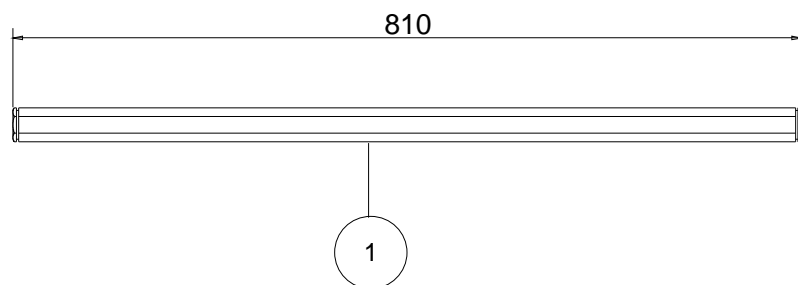
Pos	Code	Descrizione	Note	Description	Description	Beschreibung	Descripcìon
1	01.2273.00	ALBERO ESAGONALE		HEXAGONAL SHAFT	ARBRE SIX PANS	WELLE	EJE HEXAGONAL
2	01.1747.00	ALBERO ESAGONALE		HEXAGONAL SHAFT	ARBRE SIX PANS	WELLE	EJE HEXAGONAL



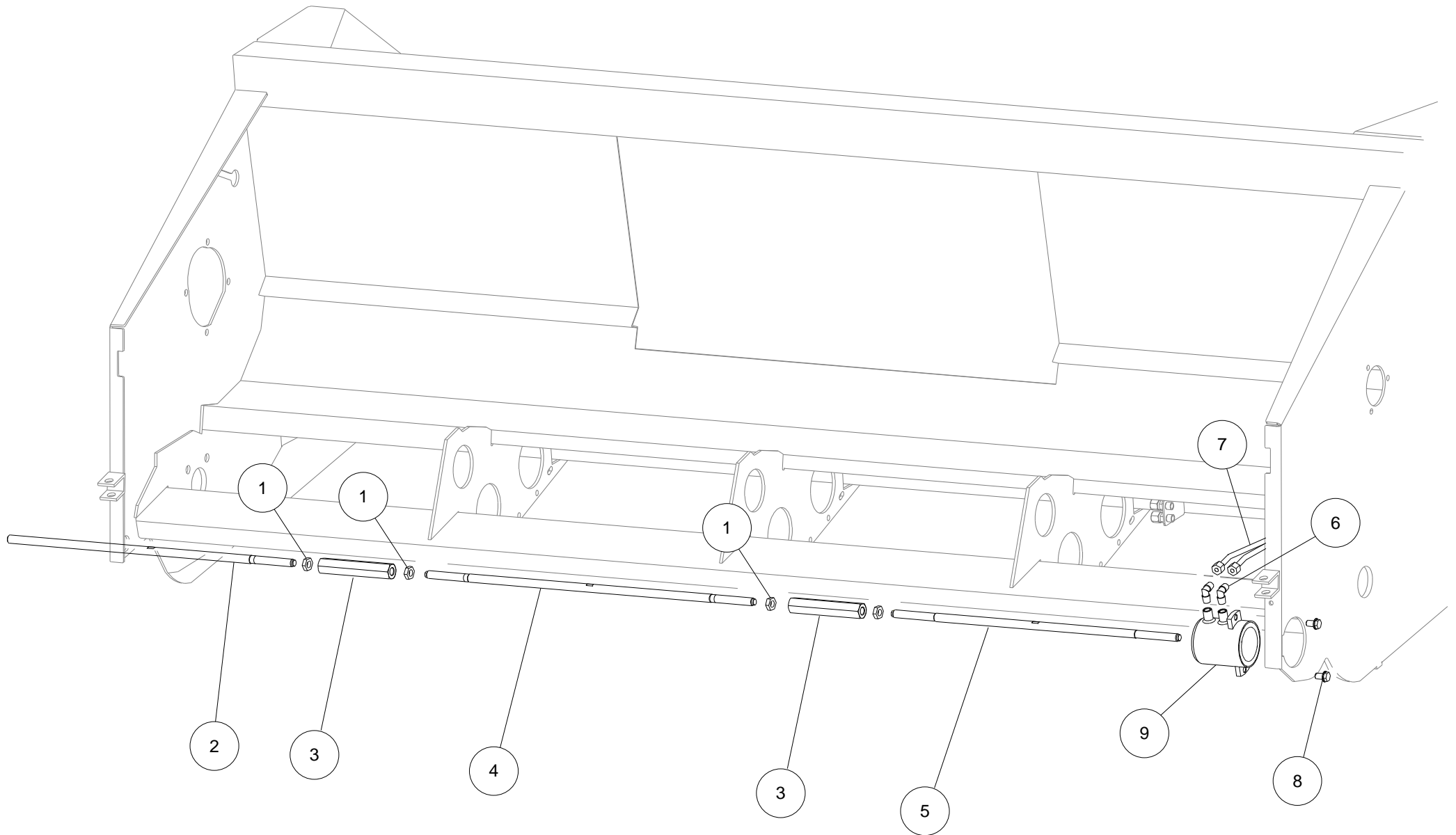
Pos	Code	Descrizione	Note	Description	Description	Beschreibung	Descripcìon
1	01.2476.00	ALBERO ESAGONALE		HEXAGONAL SHAFT	ARBRE SIX PANS	WELLE	EJE HEXAGONAL
2	01.0500.01	ALBERO ESAGONALE		HEXAGONAL SHAFT	ARBRE SIX PANS	WELLE	EJE HEXAGONAL
3	01.1747.00	ALBERO ESAGONALE		HEXAGONAL SHAFT	ARBRE SIX PANS	WELLE	EJE HEXAGONAL



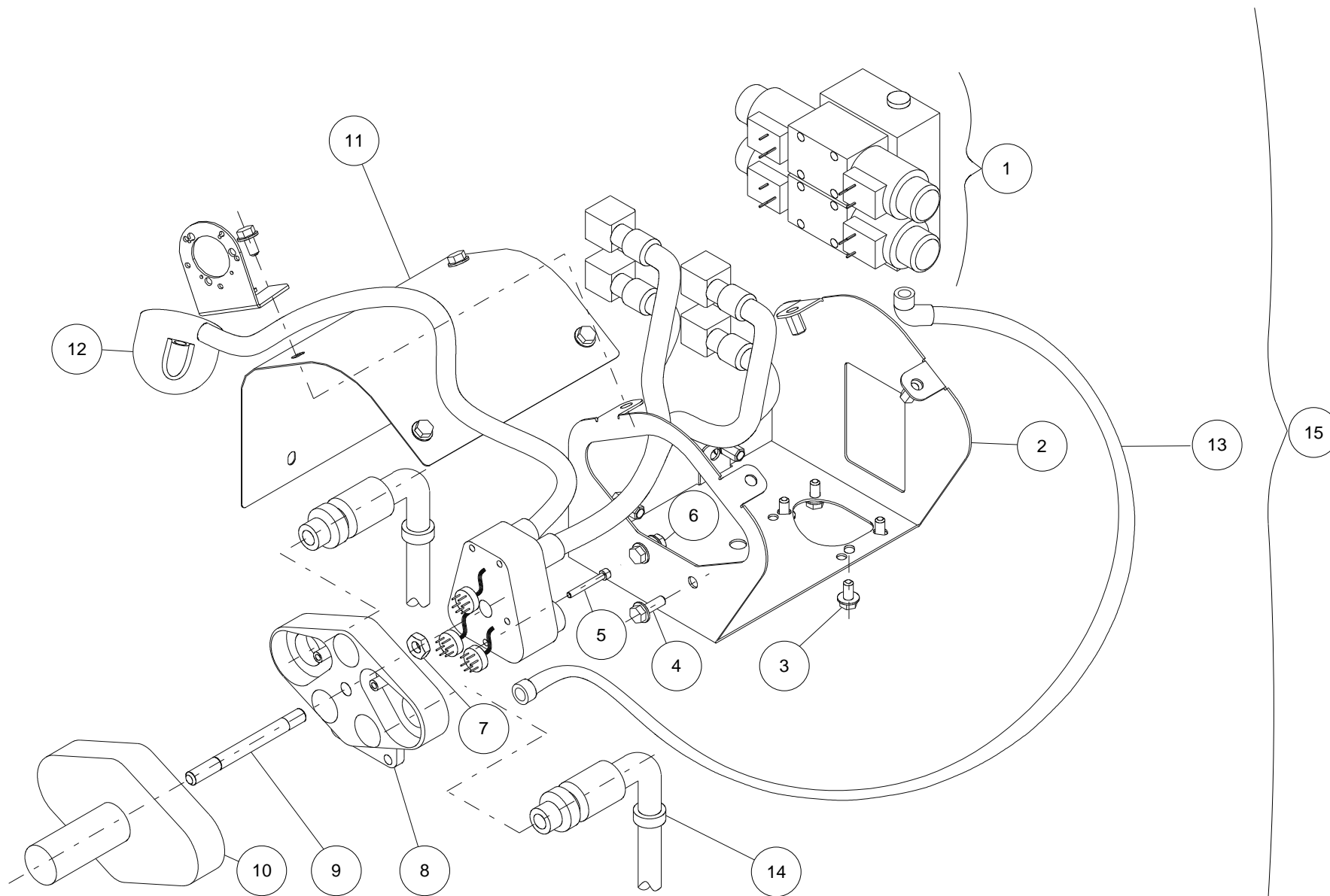
Pos	Code	Descrizione	Note	Description	Description	Beschreibung	Descripcìon
1	01.2475.00	ALBERO ESAGONALE		HEXAGONAL SHAFT	ARBRE SIX PANS	WELLE	EJE HEXAGONAL
2	01.1747.00	ALBERO ESAGONALE		HEXAGONAL SHAFT	ARBRE SIX PANS	WELLE	EJE HEXAGONAL
3	01.0500.01	ALBERO ESAGONALE		HEXAGONAL SHAFT	ARBRE SIX PANS	WELLE	EJE HEXAGONAL



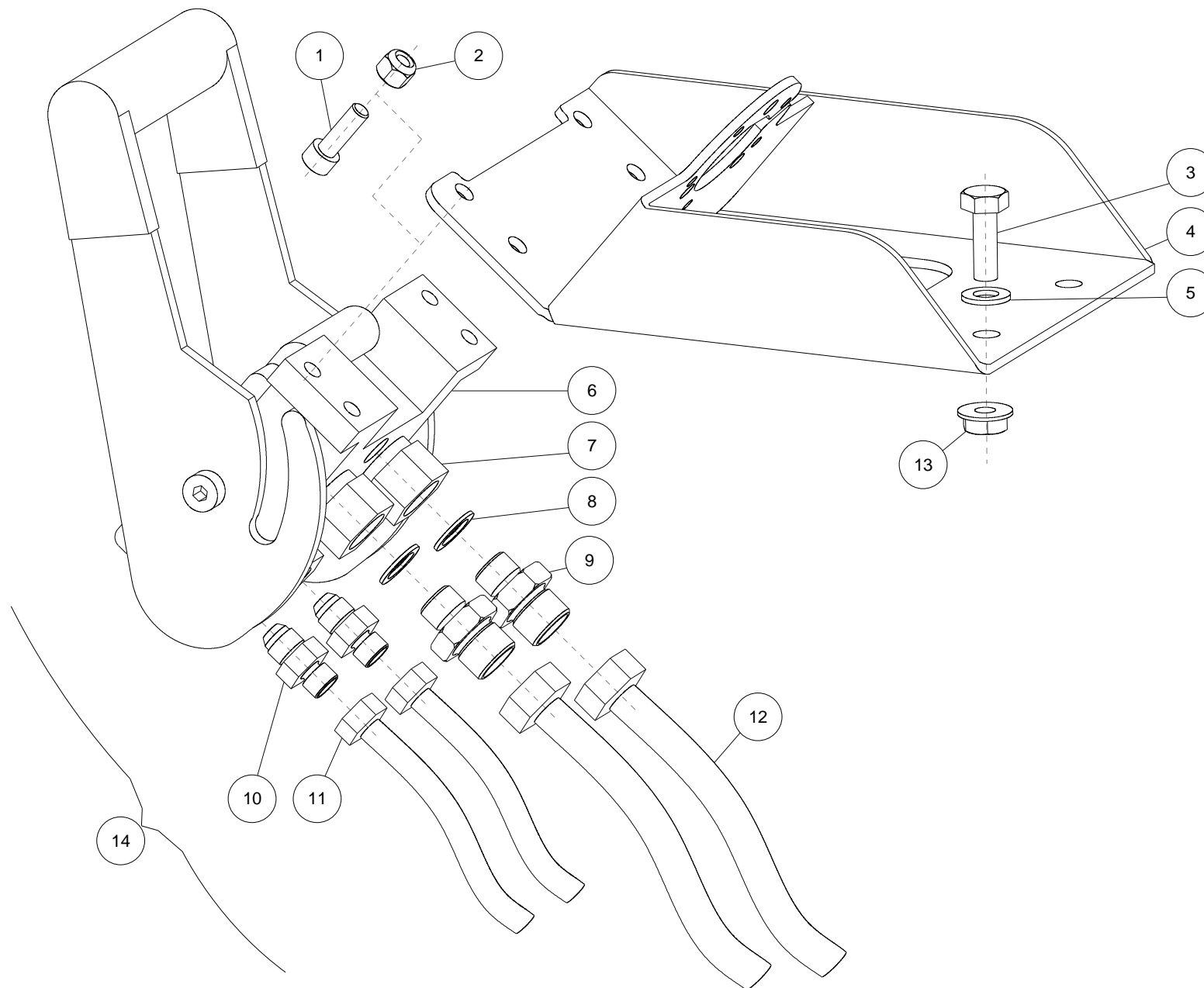
Pos	Code	Descrizione	Note	Description	Description	Beschreibung	Descripcìon
1	01.0500.01	ALBERO ESAGONALE		HEXAGONAL SHAFT	ARBRE SIX PANS	WELLE	EJE HEXAGONAL
2	01.2477.00	ALBERO ESAGONALE		HEXAGONAL SHAFT	ARBRE SIX PANS	WELLE	EJE HEXAGONAL



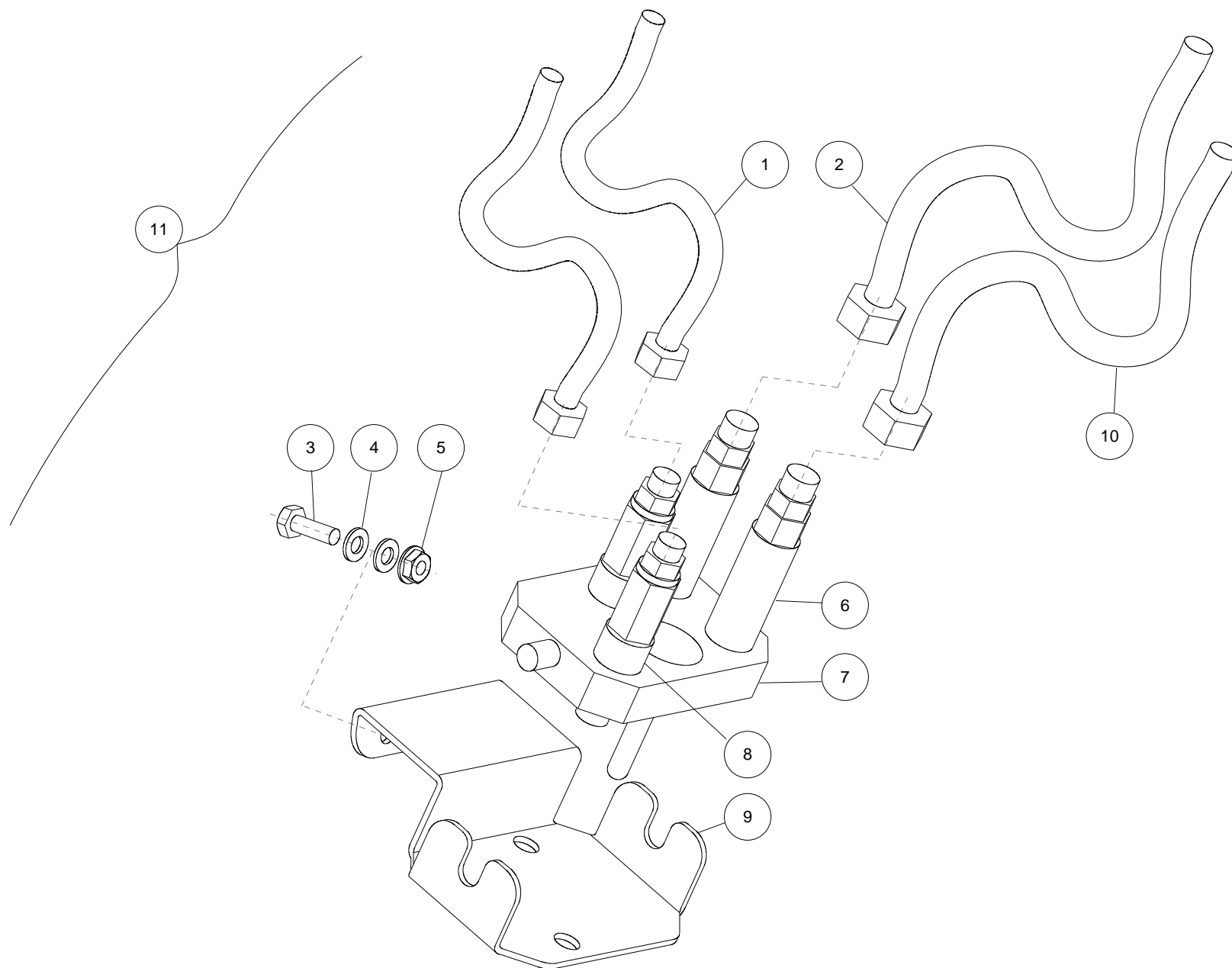
Pos	Code	Descrizione	Note	Description	Description	Beschreibung	Descripcìon
1	PMF-000390	DADO	M16	HEXAGONAL NUT	ECROU SIX PANS	SICHERUNGSMUTTER	CONTRATUERCA
2	01.2905.01	ASTA CENTRALE	L=689	MIDDLE SHAFT	AXE CENTRAL	WELLE MITTE	EJE CENTRAL
3	01.2896.00	BLOCCHETTO ESAGONALE		HEXAGONAL CONNECTION	RACCORD SIX PANS	VERBINDER	CONNECTOR
4	01.3218.00	ASTA CENTRALE	L=793	MIDDLE SHAFT	AXE CENTRAL	WELLE MITTE	EJE CENTRAL
5	01.2895.01	ASTA CENTRALE	L=693	MIDDLE SHAFT	AXE CENTRAL	WELLE MITTE	EJE CENTRAL
6	02.2535.00	RACCORDO		CONNECTOR	RACCORD	ANSCHLUSSSTUTZEN	RACOR
7	03.4814.00	TUBO FLESSIBILE		HYDRAULIC PIPE	TUBE FLEXIBLE	SCHLAUCH	TUBO
8	PMF-000064	VITE TENSILOCK	M10X20	SCREW TENSILOCK	VIS TENSILOCK	SCHRAUBE TENSILOCK	TORNILLO TENSILOCK
9	01.0447.00	CILINDRO IDRAULICO		HYDRAULIC CYLINDER	VERIN HYDRAULIQUE	HYDRAULIKZYLINDER	CILINDRO



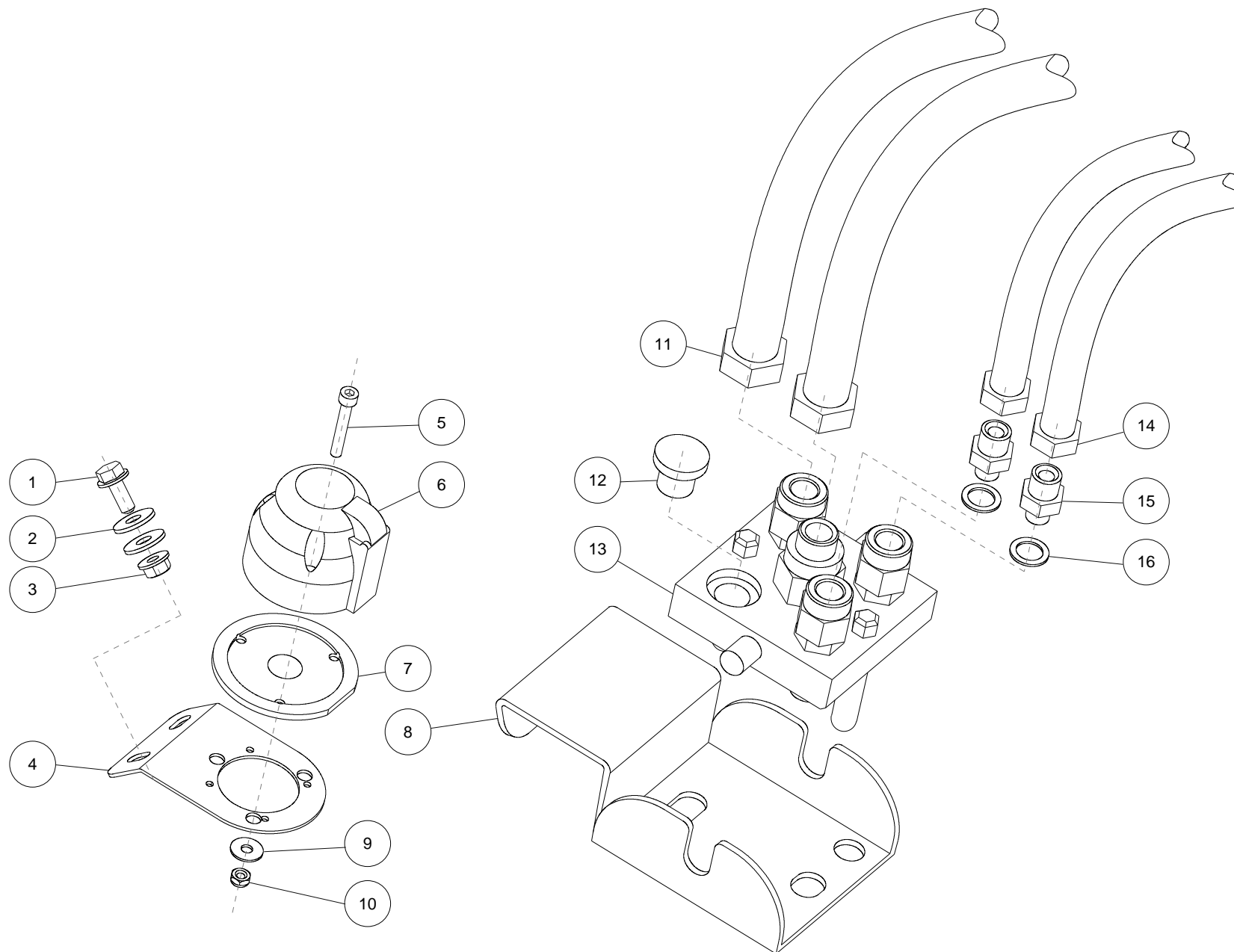
Pos	Code	Descrizione	Note	Description	Description	Beschreibung	Descripcìon
1	PO-000096	ELETTRIVALVOLA COMPLETA	CLAAS LEXION 4XX	SOLENOID VALVE COMPLETE	ÉLECTROVALVE COMPLETE	MAGNETVENTILS KOMPLETT	ELECTROVÁLVULA
1	PO-000097	ELETTRIVALVOLA COMPLETA	LEXION 5XX/AVERO/TUC.	SOLENOID VALVE COMPLETE	ÉLECTROVALVE COMPLETE	MAGNETVENTILS KOMPLETT	ELECTROVÁLVULA
2	M1-90090	SUPPORTO		SUPPORT	SUPPORT	ABSTUZUNG	SOPORTE
3	PMF-000047	VITE TENSILOCK	M8X16	SECURING SCREW TENSILOCK	VIS TENSILOCK	SCHRAUBE TENSILOCK	TORNILLO TENSILOCK
4	PMF-000041	VITE TENSILOCK	M8X25	SECURING SCREW TENSILOCK	VIS TENSILOCK	SCHRAUBE TENSILOCK	TORNILLO TENSILOCK
5	PMF-000386	VITE TCEI	M5X40	SOCKET HEAD SCREW	VIS CYLINDRIQUE	ZYLINDERSCHRAUBE	TORNILLO
6	PMF-000016	DADO TENSILOCK	M8	SECURING NUT TENSILOCK	ECROU TENSILOCK	SICHERUNGSMUTTER TENSILOCK	CONTRATUERCA TENSILOCK
7	PMF-000421	DADO AUTOBLOCCANTE	M12	SECURING NUT	ECROU INDESSERRAB	SICHERUNGSMUTTER	CONTRATUERCA
8	PE-000043	PIASTRA	LEXION 5XX/AVERO/TUC.	PLATE	PLAQUE	PLATTE	PLACA
8	PE-000045	PIASTRA	CLAAS LEXION 4XX	PLATE	PLAQUE	PLATTE	PLACA
9	M1-90092	VITE		SCREW	VIS	SCHRAUBE	TORNILLO
10	PO-000135	TAPPO	LEXION 5XX/AVERO/TUC.	COVER	COUVERCLE	DECKEL	COPERTURA
10	PO-000136	TAPPO	CLAAS LEXION 4XX	COVER	COUVERCLE	DECKEL	COPERTURA
11	M1-90091	COPERCHIO		COVER	COUVERTURE	DECKEL	COBERTURA
12	PE-000032	CABLAGGIO ELETTRICO	LEXION 5XX/AVERO/TUCANO	ELECTRICAL WIRING	CABLAGE ELECTRIQUE	ELEKTROVERKABELUNG	CABLEADO ELÉCTRICO
12	PE-000044	CABLAGGIO ELETTRICO	CLAAS LEXION 4XX	ELECTRICAL WIRING	CABLAGE ELECTRIQUE	ELEKTROVERKABELUNG	CABLEADO ELÉCTRICO
13	M1-70048	TUBO FLESSIBILE		HYDRAULIC PIPE	TUBE FLEXIBLE	SCHLAUCH	TUBO
14	M2-70008	RACCORDO	ONLY WITH H. AUGER	CONNECTOR	RACCORD	ANSCHLUSSSTUTZEN	RACOR
15	KM-000020	KIT MULTICOUPLER (SENZA COCLEE IDRO)	CLAAS LEXION 4XX	KIT MULTICOUPLER (NO HYDR. AUGER)	MULTICOUPLER (NO VIS D'ALIMENTATION HYDR.)	MULTICOUPLER NO HYDR. SCHNECKE)	MULTICOUPLER (NO SINFIN HIDR.)
15	KM-000163	KIT MULTICOUPLER (CON COCLEE IDRO)	LEXION 5XX/AVERO/TUC.	KIT MULTICOUPLER (WITH HYDR. AUGER)	MULTICOUPLER (AVEC VIS D'ALIMENTATION HYDR.)	MULTICOUPLER (MIT HYDR. SCHNECKE)	MULTICOUPLER (CON SINFIN HIDR.)
15	KM-000164	KIT MULTICOUPLER (SENZA COCLEE IDRO)	LEXION 5XX/AVERO/TUC.	KIT MULTICOUPLER (NO HYDR. AUGER)	MULTICOUPLER (NO VIS D'ALIMENTATION HYDR.)	MULTICOUPLER NO HYDR. SCHNECKE)	MULTICOUPLER (NO SINFIN HIDR.)



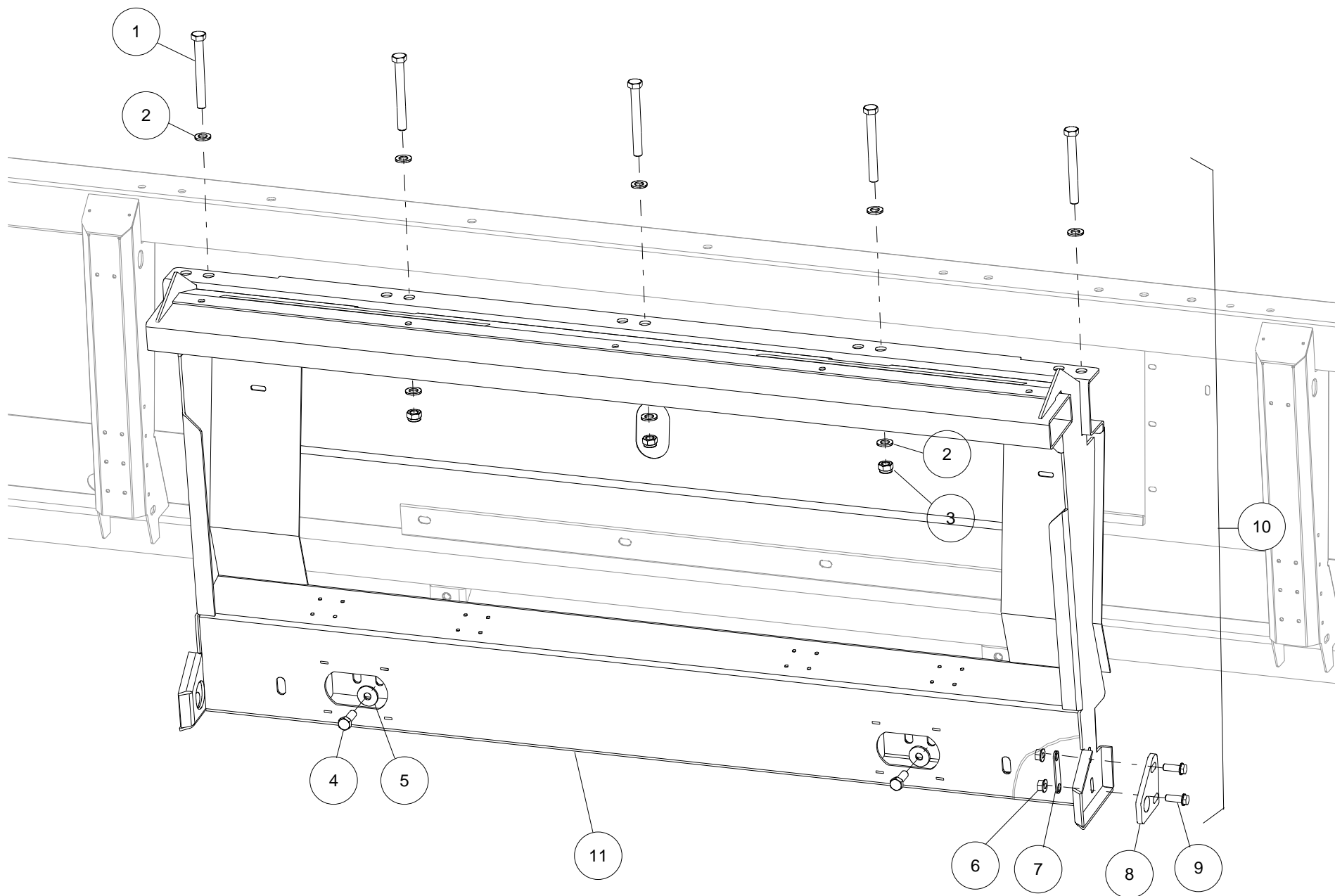
Pos	Code	Descrizione	Note	Description	Description	Beschreibung	Descripció
1	PMF-000140	VITE TCEI	M8X20	SOCKET HEAD SCREW	VIS CYLINDRIQUE	ZYLINDERSCHRAUBE	TORNILLO
2	PMF-000016	DADO TENSILOCK	M8	SECURING NUT TENSILOCK	ECROU TENSILOCK	SICHERUNGSMUTTER TENSILOCK	CONTRATUERCA TENSILOCK
3	PMF-000132	VITE TE	M10X30	HEXAGONAL SCREW	VIS SIX PANS	SECHSKANTSCHRAUBE	TORNILLO
4	M1-70056	SUPPORTO		SUPPORT	SUPPORT	ABSTUZUNG	SOPORTE
5	PMF-000105	RONDELLA	10.5X20X2	WASHER	RONDELLE	SCHEIBE	ARANDELLA
6	PO-000137	MULTICOUPLER		MULTICOUPLER	MULTICOUPLER	MULTICOUPLER	MULTICOUPLER
7	PO-000122	RACCORDO	ONLY H.AUGER	CONNECTOR	RACCORD	ANSCHLUSSSTUTZEN	RACOR
8	PO-000031	RONDELLA BONDED	ONLY H.AUGER	BONDED SEALS	RONDELLE BONDED	SCHEIBE	ARANDELLA
9	PO-000168	RACCORDO	ONLY H.AUGER	CONNECTOR	RACCORD	ANSCHLUSSSTUTZEN	RACOR
10	PO-000170	RACCORDO		CONNECTOR	RACCORD	ANSCHLUSSSTUTZEN	RACOR
11	M1-70049	TUBO FLESSIBILE		HYDRAULIC PIPE	TUBE FLEXIBLE	SCHLAUCH	TUBO
12	03.4975.00	TUBO FLESSIBILE	ONLY H.AUGER	HYDRAULIC PIPE	TUBE FLEXIBLE	SCHLAUCH	TUBO
13	PMF-000012	DADO TENSILOCK	M10	SECURING NUT TENSILOCK	ECROU TENSILOCK	SICHERUNGSMUTTER TENSILOCK	CONTRATUERCA TENSILOCK
14	KM-000043	KIT MULTICOUPLER (SENZA COCLEE IDRO)	NO H.AUGER	KIT MULTICOUPLER (NO HYDR. AUGER)	MULTICOUPLER (NO VIS D'ALIMENTATION HYDR.)	MULTICOUPLER NO HYDR. SCHNECKE)	MULTICOUPLER (NO SINFIN HIDR.)
14	KM-000175	KIT MULTICOUPLER (CON COCLEE IDRO)	WITH H. AUGER	KIT MULTICOUPLER (WITH HYDR. AUGER)	MULTICOUPLER (AVEC VIS D'ALIMENTATION HYDR.)	MULTICOUPLER (MIT HYDR. SCHNECKE)	MULTICOUPLER (CON SINFIN HIDR.)



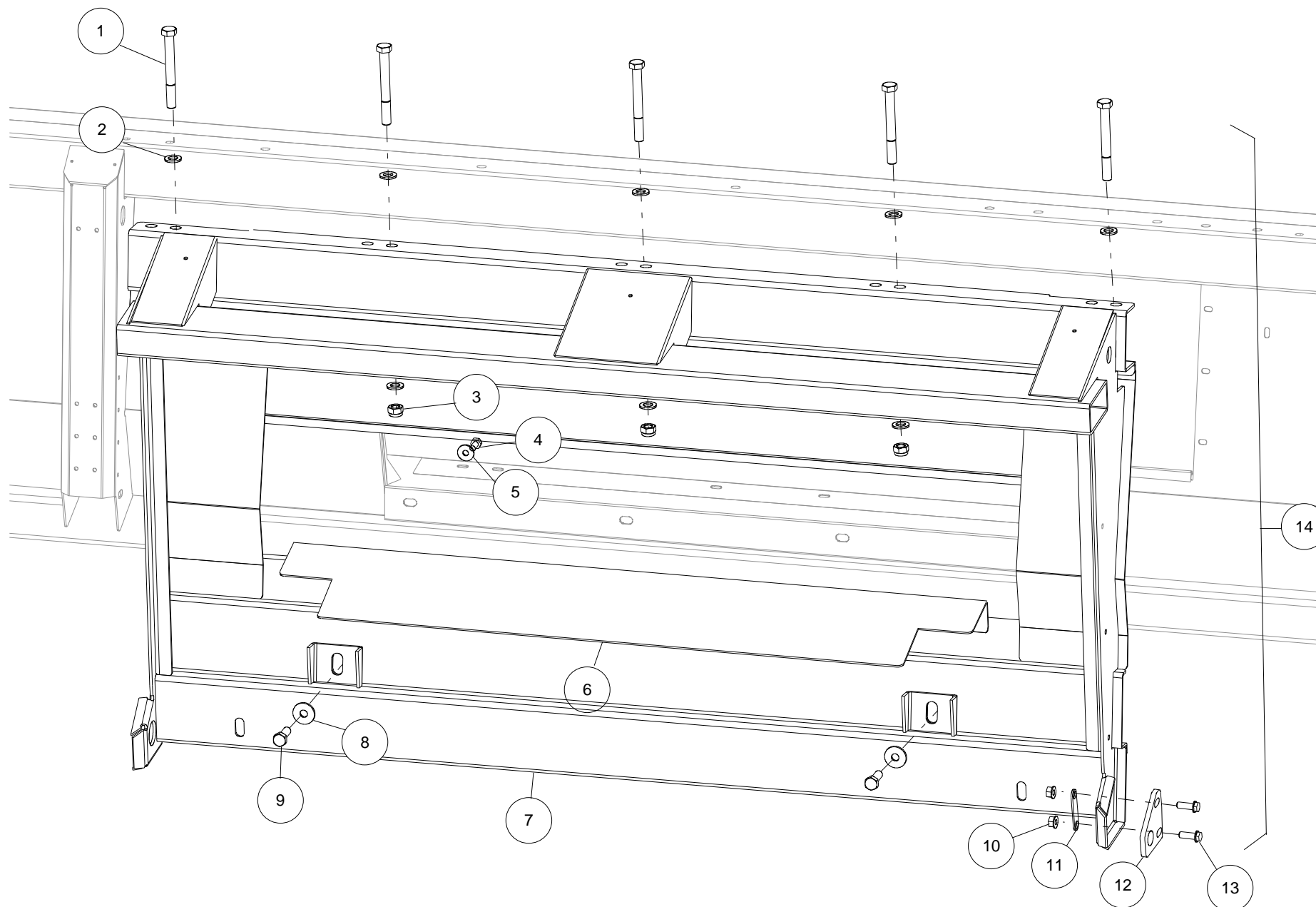
Pos	Code	Descrizione	Note	Description	Description	Beschreibung	Descripción
1	M1-70046	TUBO FLESSIBILE		HYDRAULIC PIPE	TUBE FLEXIBLE	SCHLAUCH	TUBO
2	03.4867.00	TUBO FLESSIBILE	ONLY H. AUGER	HYDRAULIC PIPE	TUBE FLEXIBLE	SCHLAUCH	TUBO
3	PMF-000132	VITE TE	M10X30	HEXAGONAL SCREW	VIS SIX PANS	SECHSKANTSCHRAUBE	TORNILLO
4	PMF-000105	RONDELLA	10.5X20X2	WASHER	RONDELLE	SCHEIBE	ARANDELLA
5	PMF-000012	DADO TENSILOCK	M10	SECURING NUT TENSILOCK	ECROU TENSILOCK	SICHERUNGSMUTTER TENSILOCK	CONTRATUERCA TENSILOCK
6	PO-000190	RACCORDO	ONLY H. AUGER	CONNECTOR	RACCORD	ANSCHLUSSSTUTZEN	RACOR
7	05.0024.00	MULTICOUPLER		MULTICOUPLER	MULTICOUPLER	MULTICOUPLER	MULTICOUPLER
8	PO-000189	RACCORDO		CONNECTOR	RACCORD	ANSCHLUSSSTUTZEN	RACOR
9	M1-90094	SUPPORTO		SUPPORT	SUPPORT	ABSTUZUNG	SOPORTE
10	03.4868.00	TUBO FLESSIBILE	ONLY H. AUGER	HYDRAULIC PIPE	TUBE FLEXIBLE	SCHLAUCH	TUBO
11	KM-000069	KIT MULTICOUPLER (CON COCLEE IDRO)	WITH H. AUGER	KIT MULTICOUPLER (WITH HYDR. AUGER)	MULTICOUPLER (AVEC VIS D'ALIMENTATION HYDR.)	MULTICOUPLER (MIT HYDR. SCHNECKE)	MULTICOUPLER (CON SINFIN HIDR.)
11	KM-000070	KIT MULTICOUPLER (SENZA COCLEE IDRO)	NO H. AUGER	KIT MULTICOUPLER (NO HYDR. AUGER)	MULTICOUPLER (NO VIS D'ALIMENTATION HYDR.)	MULTICOUPLER NO HYDR. SCHNECKE)	MULTICOUPLER (NO SINFIN HIDR.)



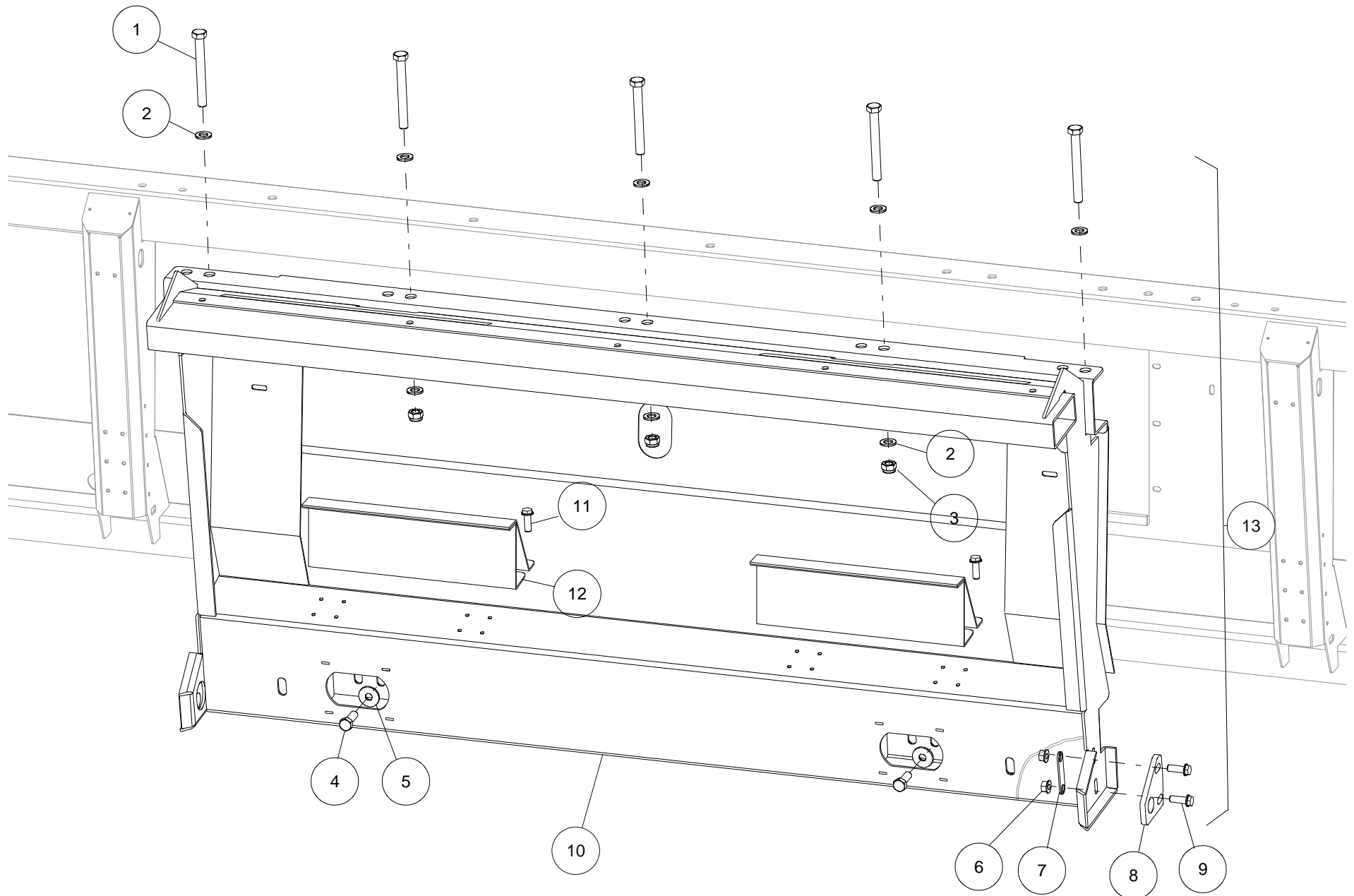
Pos	Code	Descrizione	Note	Description	Description	Beschreibung	Descripcìon
1	PMF-000034	VITE TENSILOCK	M8X20	SECURING SCREW TENSILOCK	VIS TENSILOCK	SCHRAUBE TENSILOCK	TORNILLO TENSILOCK
2	PMF-000074	RONDELLA	8.4X24X2	WASHER	RONDELLE	SCHEIBE	ARANDELLA
3	PMF-000016	DADO TENSILOCK	M8	SECURING NUT TENSILOCK	ECROU TENSILOCK	SICHERUNGSMUTTER TENSILOCK	CONTRATUERCA TENSILOCK
4	M1-90093	STAFFA		BRACKET	SUPPORT	BUEGEL	SOPORTE
5	PMF-000506	VITE TCEI	M6X40	SOCKET HEAD SCREW	VIS CYLINDRIQUE	ZYLINDERSCHRAUBE	TORNILLO
6	PE-000046	PRESA		ELECTRICAL OUTLET	PRISE ELECTRIQUE	STECKDOSE	TOMA ELECTRICA
7	PE-000061	GUARNIZIONE		SEAL	ETOUPAGE	DICHTUNG	JUNTA
8	M1-90096	STAFFA		BRACKET	SUPPORT	BUEGEL	SOPORTE
9	PMF-000020	RONDELLA	6.4X18X1.6	WASHER	RONDELLE	SCHEIBE	ARANDELLA
10	PMF-000101	DADO AUTOBLOCCANTE	M6	SECURING NUT	ECROU INDESSERRAB	SICHERUNGSMUTTER	CONTRATUERCA
11	M1-70062	TUBO FLESSIBILE	ONLY WITH H. AUGER	HYDRAULIC PIPE	TUBE FLEXIBLE	SCHLAUCH	TUBO
12	PO-000119	TAPPO		COVER	COUVERCLE	DECKEL	COPERTURA
13	PO-000212	MULTICOUPLER		MULTICOUPLER	MULTICOUPLEUR	MULTICOUPLER	MULTICOUPLER
14	M1-70045	TUBO FLESSIBILE		HYDRAULIC PIPE	TUBE FLEXIBLE	SCHLAUCH	TUBO
15	PO-000131	RACCORDO		CONNECTOR	RACCORD	ANSCHLUSSSTUTZEN	RACOR
16	PO-000031	RONDELLA BONDED		BONDED SEALS	RONDELLE BONDED	SCHEIBE	ARANDELLA



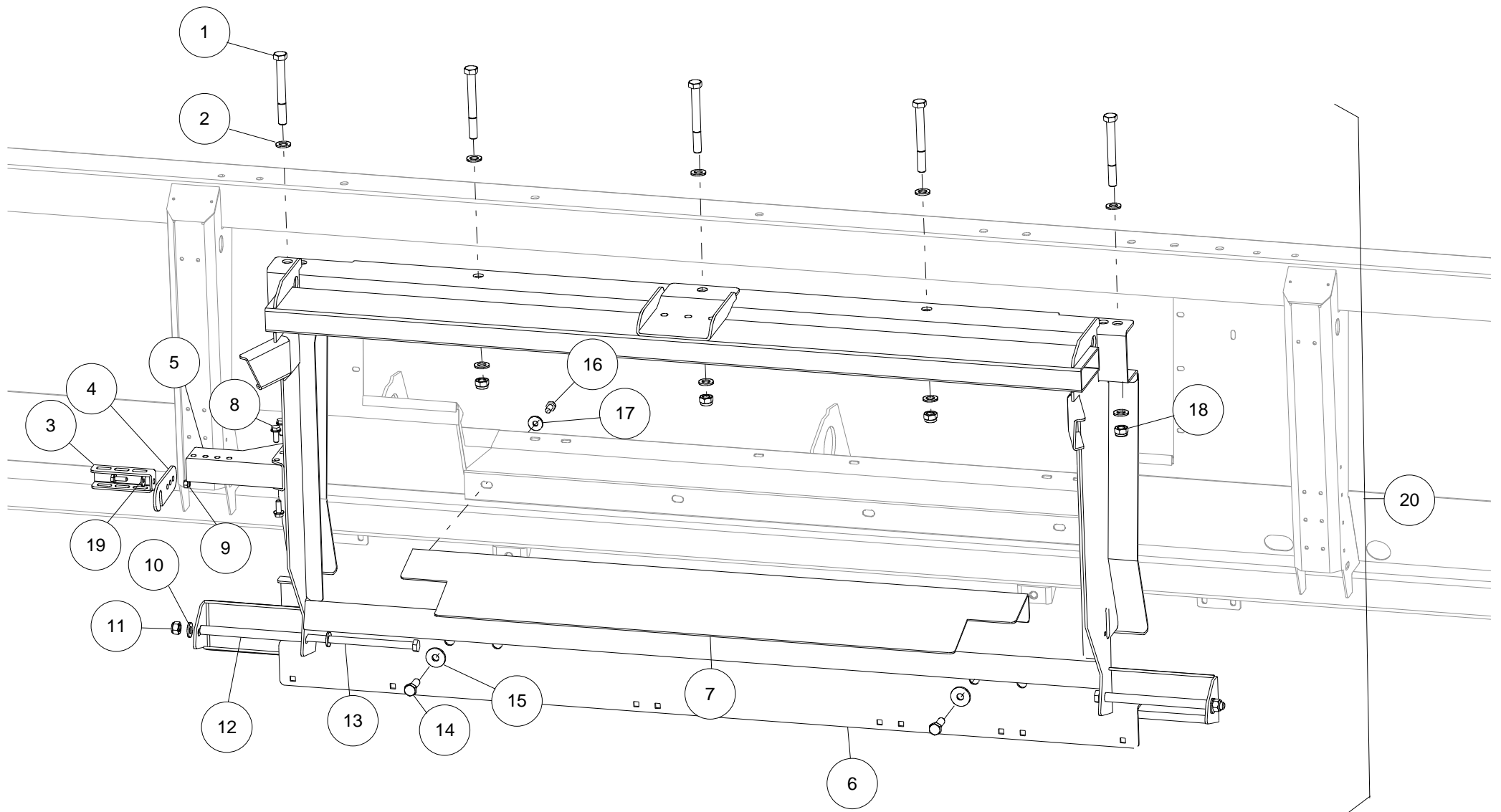
Pos	Code	Descrizione	Note	Description	Description	Beschreibung	Descripcìon
1	PMF-000196	VITE TE	M16X140	HEXAGONAL SCREW	VIS SIX PANS	SECHSKANTSCHRAUBE	TORNILLO
2	PMF-000437	RONDELLA	17X30X3	WASHER	RONDELLE	SCHEIBE	ARANDELLA
3	PMF-000052	DADO AUTOBLOCCANTE	M16	SECURING NUT	ECROU INDESSERRAB	SICHERUNGSMUTTER	CONTRATUERCA
4	PMF-000091	VITE TE	M14X40	HEXAGONAL SCREW	VIS SIX PANS	SECHSKANTSCHRAUBE	TORNILLO
5	02.4520.00	RONDELLA	14X40X4	WASHER	RONDELLE	SCHEIBE	ARANDELLA
6	PMF-000060	DADO TENSILOCK	M12	SECURING NUT TENSILOCK	ECROU TENSILOCK	SICHERUNGSMUTTER TENSILOCK	CONTRATUERCA TENSILOCK
7	01.3078.00	BLOCCAGGIO		LOCKING	BLOCAGE	VERSCHLUSS	TAPA
8	01.2362.00	PIASTRA		PLATE	PLAQUE	PLATTE	PLACA
9	PMF-000252	VITE TENSILOCK	M12X35	SECURING SCREW TENSILOCK	VIS TENSILOCK	SCHRAUBE TENSILOCK	TORNILLO TENSILOCK
10	07.0002.00	PIASTRA D'ATTACCO COMPLETA		COMPLETE MOUNTING PLATE	PLAQUE COMPLETE	EINHAENGESCHILD KOMPLETT	PLACA DE MONTAJE COMPLETA
11	01.3125.00	PIASTRA D'ATTACCO		MOUNTING PLATE	PLAQUE	EINHAENGESCHILD	PLACA DE MONTAJE



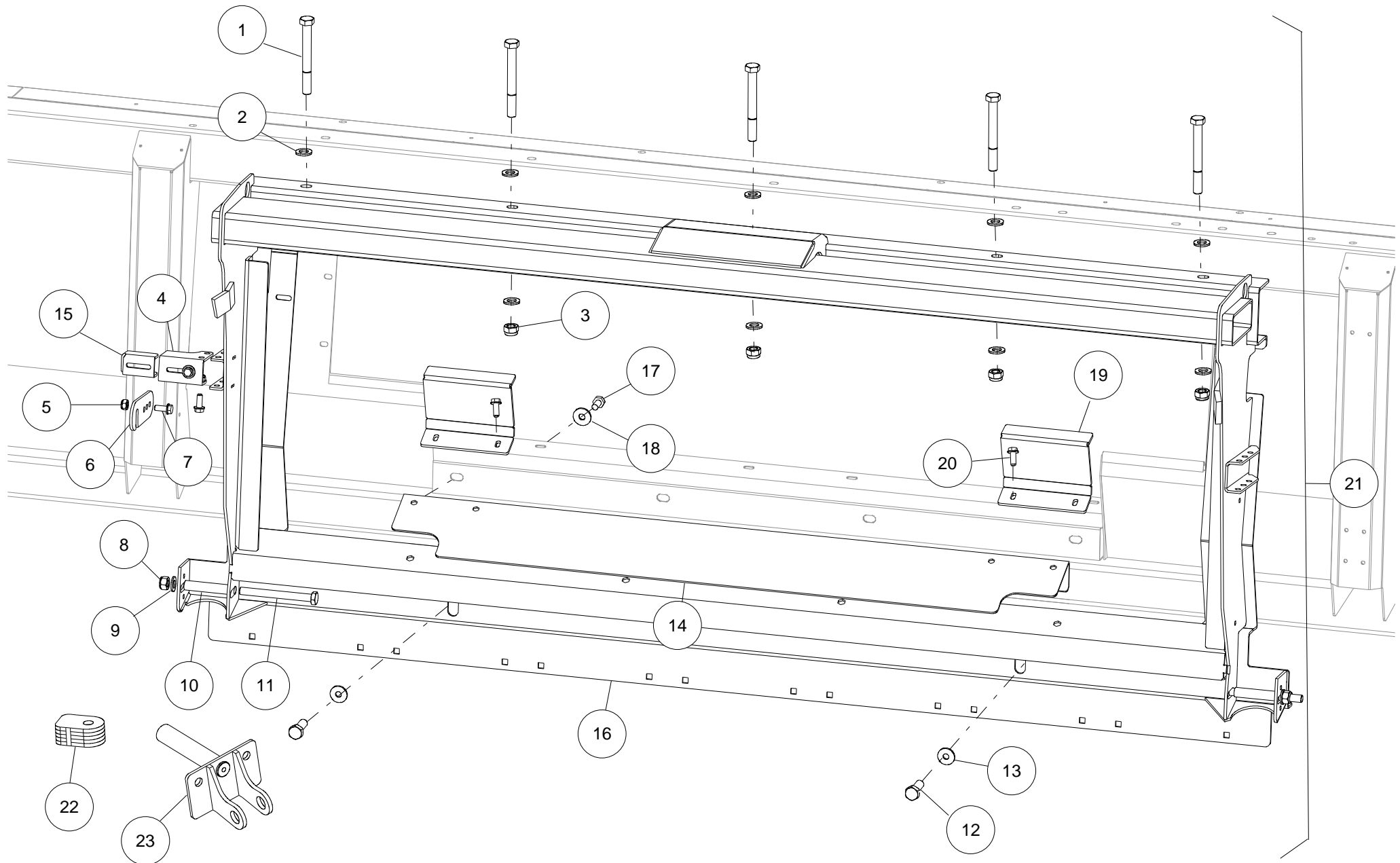
Pos	Code	Descrizione	Note	Description	Description	Beschreibung	Descripcìon
1	PMF-000196	VITE TE	M16X140	HEXAGONAL SCREW	VIS SIX PANS	SECHSKANTSCHRAUBE	TORNILLO
2	PMF-000437	RONDELLA	17X30X3	WASHER	RONDELLE	SCHEIBE	ARANDELLA
3	PMF-000052	DADO AUTOBLOCCANTE	M16	SECURING NUT	ECROU INDESSERRAB	SICHERUNGSMUTTER	CONTRATUERCA
4	PMF-000134	VITE TE	M10X20	HEXAGONAL SCREW	VIS SIX PANS	SECHSKANTSCHRAUBE	TORNILLO
5	PMF-000075	RONDELLA	10X30X2.5	WASHER	RONDELLE	SCHEIBE	ARANDELLA
6	01.3096.00	ONDA		PLATE	PLAQUE	PLATTE	PLACA
7	01.3097.00	PIASTRA D'ATTACCO		MOUNTING PLATE	PLAQUE	EINHAENGESCHILD	PLACA DE MONTAJE
8	02.4520.00	RONDELLA	14X40X4	WASHER	RONDELLE	SCHEIBE	ARANDELLA
9	PMF-000091	VITE TE	M14X40	HEXAGONAL SCREW	VIS SIX PANS	SECHSKANTSCHRAUBE	TORNILLO
10	PMF-000060	DADO TENSILOCK	M12	SECURING NUT TENSILOCK	ECROU TENSILOCK	SICHERUNGSMUTTER TENSILOCK	CONTRATUERCA TENSILOCK
11	01.3078.00	BLOCCAGGIO		LOCKING	BLOCAGE	VERSCHLUSS	TAPA
12	01.2362.00	PIASTRA		PLATE	PLAQUE	PLATTE	PLACA
13	PMF-000252	VITE TENSILOCK	M12X35	SECURING SCREW TENSILOCK	VIS TENSILOCK	SCHRAUBE TENSILOCK	TORNILLO TENSILOCK
14	07.0001.00	PIASTRA D'ATTACCO COMPLETA		COMPLETE MOUNTING PLATE	PLAQUE COMPLETE	EINHAENGESCHILD KOMPLETT	PLACA DE MONTAJE COMPLETA



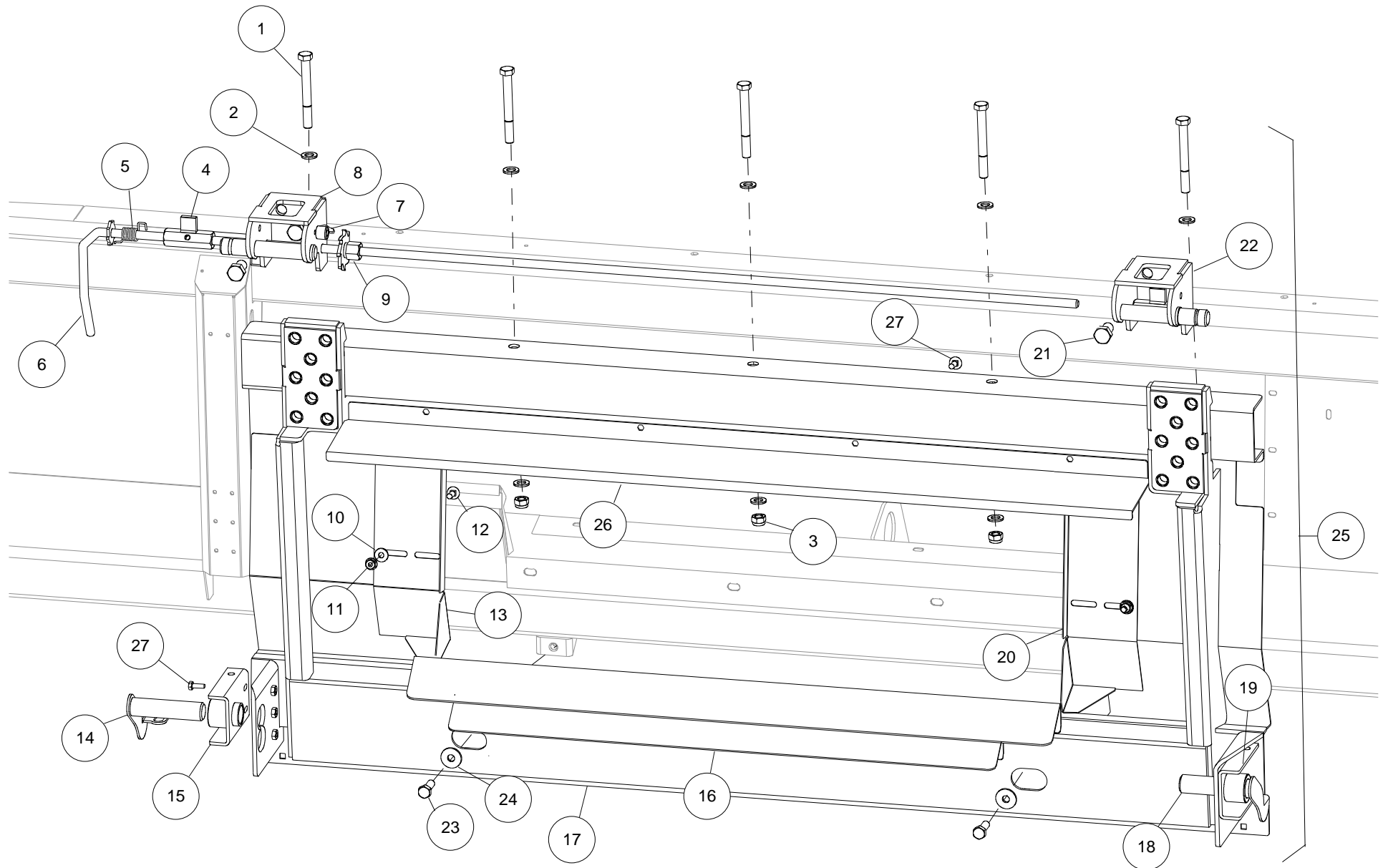
Pos	Code	Descrizione	Note	Description	Description	Beschreibung	Descripcìon
1	PMF-000196	VITE TE	M16X140	HEXAGONAL SCREW	VIS SIX PANS	SECHSKANTSCHRAUBE	TORNILLO
2	PMF-000437	RONDELLA	17X30X3	WASHER	RONDELLE	SCHEIBE	ARANDELLA
3	PMF-000052	DADO AUTOBLOCCANTE	M16	SECURING NUT	ECROU INDESSERRAB	SICHERUNGSMUTTER	CONTRATUERCA
4	PMF-000091	VITE TE	M14X40	HEXAGONAL SCREW	VIS SIX PANS	SECHSKANTSCHRAUBE	TORNILLO
5	02.4520.00	RONDELLA	14X40X4	WASHER	RONDELLE	SCHEIBE	ARANDELLA
6	02.2064.00	DADO TENSILOCK	M12	SECURING NUT TENSILOCK	ECROU TENSILOCK	SICHERUNGSMUTTER TENSILOCK	CONTRATUERCA TENSILOCK
7	01.3078.00	BLOCCAGGIO		LOCKING	BLOCAGE	VERSCHLUSS	TAPA
8	01.2362.00	PIASTRA		PLATE	PLAQUE	PLATTE	PLACA
9	02.2175.00	VITE TENSILOCK	M12X35	SECURING SCREW TENSILOCK	VIS TENSILOCK	SCHRAUBE TENSILOCK	TORNILLO TENSILOCK
10	01.3125.00	PIASTRA D'ATTACCO		MOUNTING PLATE	PLAQUE	EINHAENGESCHILD	PLACA DE MONTAJE
11	02.2026.00	VITE TENSILOCK	M8X20	SECURING SCREW TENSILOCK	VIS TENSILOCK	SCHRAUBE TENSILOCK	TORNILLO TENSILOCK
12	01.0961.00	RASAMENTO		STRIPPER KNIFE	LAME RACLEUSE	ABSTREIFMESSER	RASCADOR
13	07.0004.00	PIASTRA D'ATTACCO COMPLETA		COMPLETE MOUNTING PLATE	PLAQUE COMPLETE	EINHAENGESCHILD KOMPLETT	PLACA DE MONTAJE COMPLETA



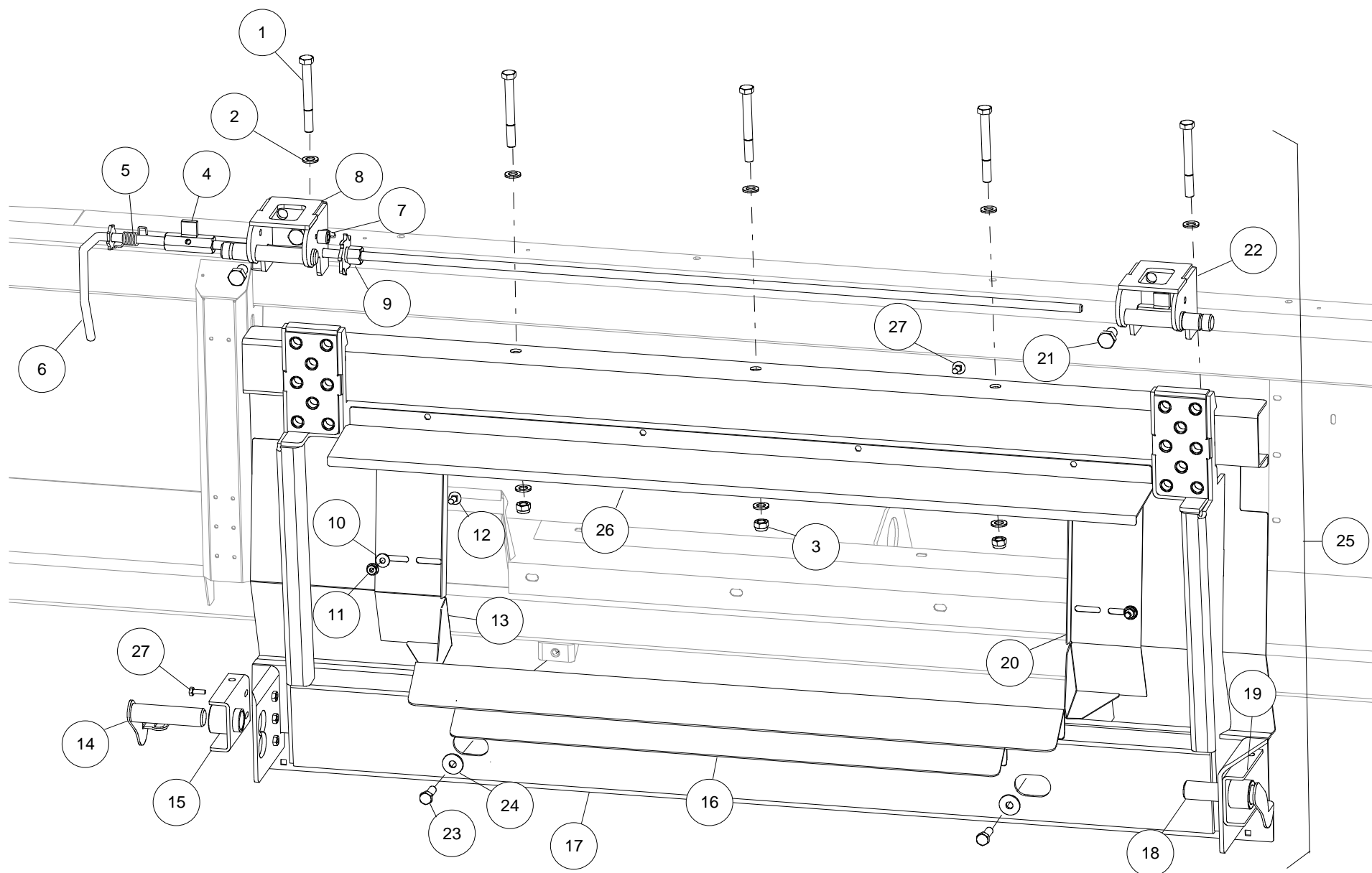
Pos	Code	Descrizione	Note	Description	Description	Beschreibung	Descripció
1	PMF-000196	VITE TE	M16X140	HEXAGONAL SCREW	VIS SIX PANS	SECHSKANTSCHRAUBE	TORNILLO
2	PMF-000437	RONDELLA	17X30X3	WASHER	RONDELLE	SCHEIBE	ARANDELLA
3	01.3079.00	SUPPORTO		SUPPORT	SUPPORT	ABSTUZUNG	SOPORTE
4	01.2374.00	GANCIO		HOOK	CROCHET	VERSCHLUSSHAKEN	GANCHO
5	01.3080.00	SUPPORTO		SUPPORT	SUPPORT	ABSTUZUNG	SOPORTE
6	01.3081.00	PIASTRA D'ATTACCO		MOUNTING PLATE	PLAQUE	EINHAENGESCHILD	PLACA DE MONTAJE
7	01.3082.00	ONDA		PLATE	PLAQUE	PLATTE	PLACA
8	PMF-000034	VITE TENSILOCK	M10X20	SECURING SCREW TENSILOCK	VIS TENSILOCK	SCHRAUBE TENSILOCK	TORNILLO TENSILOCK
9	PMF-000026	DADO AUTOBLOCCANTE	M8	SECURING NUT	ECROU INDESSERRAB	SICHERUNGSMUTTER	CONTRATUERCA
10	M1-10267	RONDELLA	14.5X30X4	WASHER	RONDELLE	SCHEIBE	ARANDELLA
11	PMF-000031	DADO AUTOBLOCCANTE	M14	SECURING NUT	ECROU INDESSERRAB	SICHERUNGSMUTTER	CONTRATUERCA
12	M1-50097	TUBO		TUBE	TUBE	SCHLAUCH	TUBO
13	PMF-000440	VITE TE	M14X240	HEXAGONAL SCREW	VIS SIX PANS	SECHSKANTSCHRAUBE	TORNILLO
14	PMF-000091	VITE TE	M14X40	HEXAGONAL SCREW	VIS SIX PANS	SECHSKANTSCHRAUBE	TORNILLO
15	02.4520.00	RONDELLA	14X40X4	WASHER	RONDELLE	SCHEIBE	ARANDELLA
16	PMF-000134	VITE TE	M10X20	HEXAGONAL SCREW	VIS SIX PANS	SECHSKANTSCHRAUBE	TORNILLO
17	PMF-000075	RONDELLA	10X30X2.5	WASHER	RONDELLE	SCHEIBE	ARANDELLA
18	PMF-000052	DADO AUTOBLOCCANTE	M16	SECURING NUT	ECROU INDESSERRAB	SICHERUNGSMUTTER	CONTRATUERCA
19	PMF-000074	RONDELLA	8.4X24X2	WASHER	RONDELLE	SCHEIBE	ARANDELLA
20	07.0012.00	PIASTRA D'ATTACCO COMPLETA		COMPLETE MOUNTING PLATE	PLAQUE COMPLETE	EINHAENGESCHILD KOMPLETT	PLACA DE MONTAJE COMPLETA



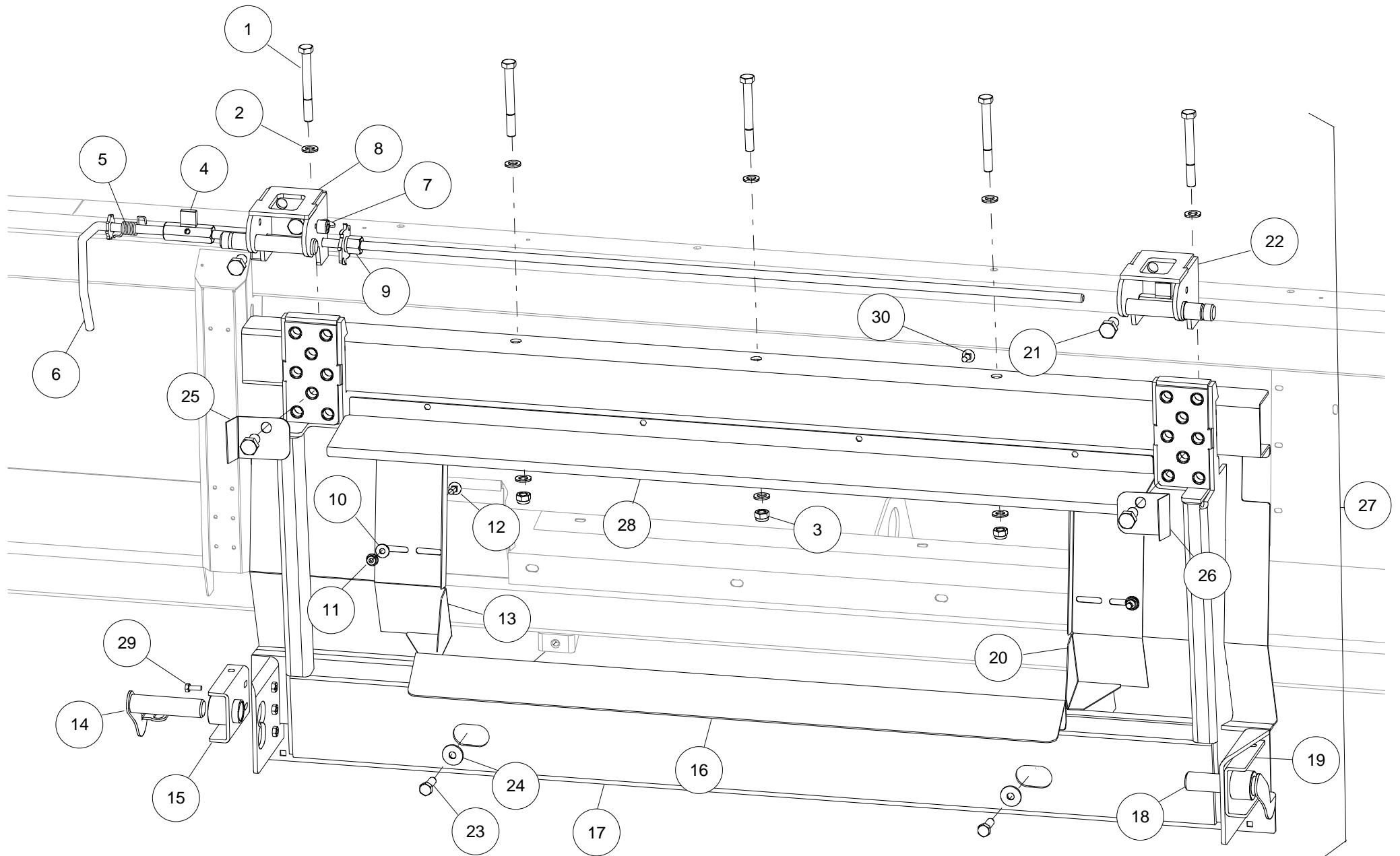
Pos	Code	Descrizione	Note	Description	Description	Beschreibung	Descripció
1	PMF-000196	VITE TE	M16X140	HEXAGONAL SCREW	VIS SIX PANS	SECHSKANTSCHRAUBE	TORNILLO
2	PMF-000437	RONDELLA	17X30X3	WASHER	RONDELLE	SCHEIBE	ARANDELLA
3	PMF-000052	DADO AUTOBLOCCANTE	M16	SECURING NUT	ECROU INDESSERRAB	SICHERUNGSMUTTER	CONTRATUERCA
4	01.2372.00	STAFFA		BRACKET	SUPPORT	BUEGEL	SOPORTE
5	PMF-000031	DADO AUTOBLOCCANTE	M14	SECURING NUT	ECROU INDESSERRAB	SICHERUNGSMUTTER	CONTRATUERCA
6	01.2374.00	GANCIO		HOOK	CROCHET	VERSCHLUSSHAKEN	GANCHO
7	PMF-000034	VITE TENSILOCK	M10X20	SECURING SCREW TENSILOCK	VIS TENSILOCK	SCHRAUBE TENSILOCK	TORNILLO TENSILOCK
8	PMF-000068	DADO AUTOBLOCCANTE	M10	SECURING NUT	ECROU INDESSERRAB	SICHERUNGSMUTTER	CONTRATUERCA
9	PMF-000256	RONDELLA		WASHER	RONDELLE	SCHEIBE	ARANDELLA
10	M1-50027	TUBO		TUBE	TUBE	SCHLAUCH	TUBO
11	PMF-000476	VITE TE	M14X140	HEXAGONAL SCREW	VIS SIX PANS	SECHSKANTSCHRAUBE	TORNILLO
12	PMF-000091	VITE TE	M14X40	HEXAGONAL SCREW	VIS SIX PANS	SECHSKANTSCHRAUBE	TORNILLO
13	02.4520.00	RONDELLA	14X40X4	WASHER	RONDELLE	SCHEIBE	ARANDELLA
14	01.2375.00	ONDA		PLATE	PLAQUE	PLATTE	PLACA
15	01.2373.00	CENTRAGGIO		CENTERING	CENTRAGE	ZENTRIER	CENTRAJE
16	01.3161.00	PIASTRA D'ATTACCO		MOUNTING PLATE	PLAQUE	EINHAENGESCHILD	PLACA DE MONTAJE
17	PMF-000134	VITE TE	M10X20	HEXAGONAL SCREW	VIS SIX PANS	SECHSKANTSCHRAUBE	TORNILLO
18	PMF-000075	RONDELLA	10X30X2.5	WASHER	RONDELLE	SCHEIBE	ARANDELLA
19	01.2376.00	STRETTOIA		PLATE	PLAQUE	PLATTE	PLACA
20	PMF-000034	VITE TENSILOCK	M8X20	SECURING SCREW TENSILOCK	VIS TENSILOCK	SCHRAUBE TENSILOCK	TORNILLO TENSILOCK
21	07.0010.00	PIASTRA D'ATTACCO COMPLETA		COMPLETE MOUNTING PLATE	PLAQUE COMPLETE	EINHAENGESCHILD KOMPLETT	PLACA DE MONTAJE COMPLETA
22	01.2142.00	SPESSORE		PLATE SPACER	TOLE	DISTANZBLECH	DISTANCIADOR
23	01.0322.00	SUPPORTO		SUPPORT	SUPPORT	ABSTUZUNG	SOPORTE



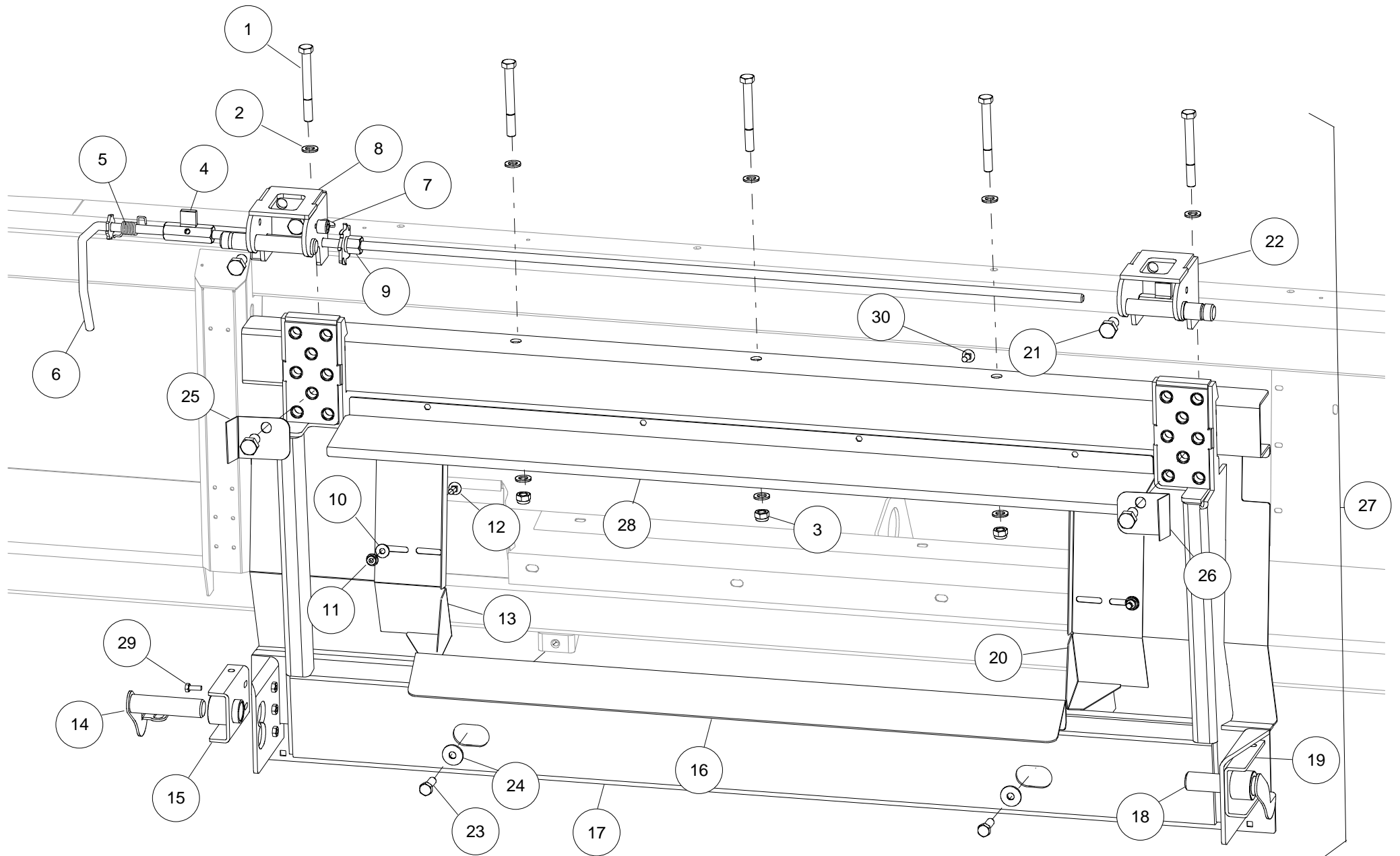
Pos	Code	Descrizione	Note	Description	Description	Beschreibung	Descripció
1	PMF-000196	VITE TE	M16X140	HEXAGONAL SCREW	VIS SIX PANS	SECHSKANTSCHRAUBE	TORNILLO
2	PMF-000437	RONDELLA	17X30X3	WASHER	RONDELLE	SCHEIBE	ARANDELLA
3	PMF-000052	DADO AUTOBLOCCANTE	M16	SECURING NUT	ECROU INDESSERRAB	SICHERUNGSMUTTER	CONTRATUERCA
4	M2-50024	GANCIO		HOOK	CROCHET	VERSCHLUSSHAKEN	GANCHO
5	M1-50163	MOLLA		COMPRESS SPRING	RESSORT	DRUCKFEDER	MUELLE
6	M2-50011	MANIGLIA		STRAP	MANILLE	HANDGRIFF	MANIJA
7	M1-50162	FERMO		BLOCK	BLOC	BLOCK	BLOQUE
8	01.3085.00	AGGANCIO		HOOK	CROCHET	VERSCHLUSSHAKEN	GANCHO
9	M2-50025	ROCCHETTO		TOOTH WHEEL	ROUE DENTEE	ZAHNRAD	ENGRANAJE
10	PMF-000075	RONDELLA	10X30X2.5	WASHER	RONDELLE	SCHEIBE	ARANDELLA
11	PMF-000012	DADO TENSILOCK	M10	SECURING NUT TENSILOCK	ECROU TENSILOCK	SICHERUNGSMUTTER TENSILOCK	CONTRATUERCA TENSILOCK
12	PMF-000341	VITE TBQS	M10X30	COACH SCREW	VIS A TETE BOMBEE	FLACHRUNDSCHRAUBE	TORNILLO
13	01.3084.00	STRETTOIA		PLATE	PLAQUE	PLATTE	PLACA
14	M2-50010	PERNO DESTRO		RIGHT PIVOT	PIVOT DROITE	ZAPFEN RECHTS	PIVOTE DERECHI
15	M2-50008	PIASTRA DESTRA		RIGHT PLATE	PLAQUE DROITE	PLATTE RECHTS	PLACA DERECHA
16	01.2287.00	ONDA		PLATE	PLAQUE	PLATTE	PLACA
17	01.3083.00	PIASTRA D'ATTACCO		MOUNTING PLATE	PLAQUE	EINHAENGESCHILD	PLACA DE MONTAJE
18	M2-50007	PIASTRA SINISTRA		LEFT PLATE	PLAQUE GAUCHE	PLATTE LINKS	PLACA IZQUIERDA
19	M2-50009	PERNO SINISTRO		LEFT PIVOT	PIVOT GAUCHE	ZAPFEN LINKS	PIVOTE IZQUIERDO
20	01.3086.00	STRETTOIA		PLATE	PLAQUE	PLATTE	PLACA
21	PMF-000319	VITE TE	M10X35	HEXAGONAL SCREW	VIS SIX PANS	SECHSKANTSCHRAUBE	TORNILLO
22	01.3087.00	AGGANCIO		HOOK	CROCHET	VERSCHLUSSHAKEN	GANCHO
23	PMF-000091	VITE TE	M14X90	HEXAGONAL SCREW	VIS SIX PANS	SECHSKANTSCHRAUBE	TORNILLO
24	02.4520.00	RONDELLA	14X40X4	WASHER	RONDELLE	SCHEIBE	ARANDELLA
25	07.0041.01	PIASTRA D'ATTACCO COMPLETA		COMPLETE MOUNTING PLATE	PLAQUE COMPLETE	EINHAENGESCHILD KOMPLETT	PLACA DE MONTAJE COMPLETA
26	01.3099.00	CHIUSURA		CLOSURE	CLÔTURE	SCHLIESSEN	CIERRE



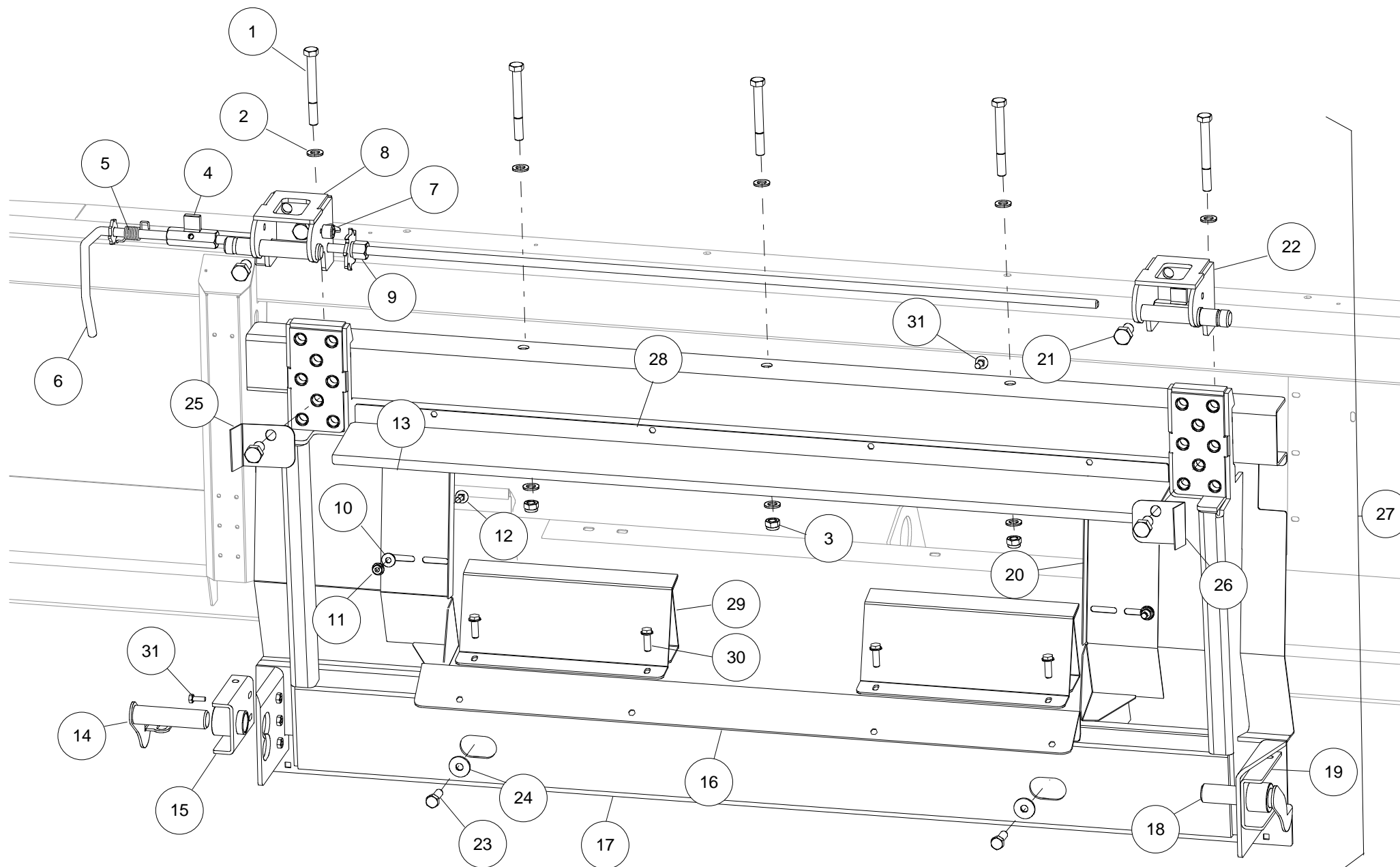
Pos	Code	Descrizione	Note	Description	Description	Beschreibung	Descripción
27	PMF-000186	VITE TE	M10X25	HEXAGONAL SCREW	VIS SIX PANS	SECHSKANTSCHRAUBE	TORNILLO



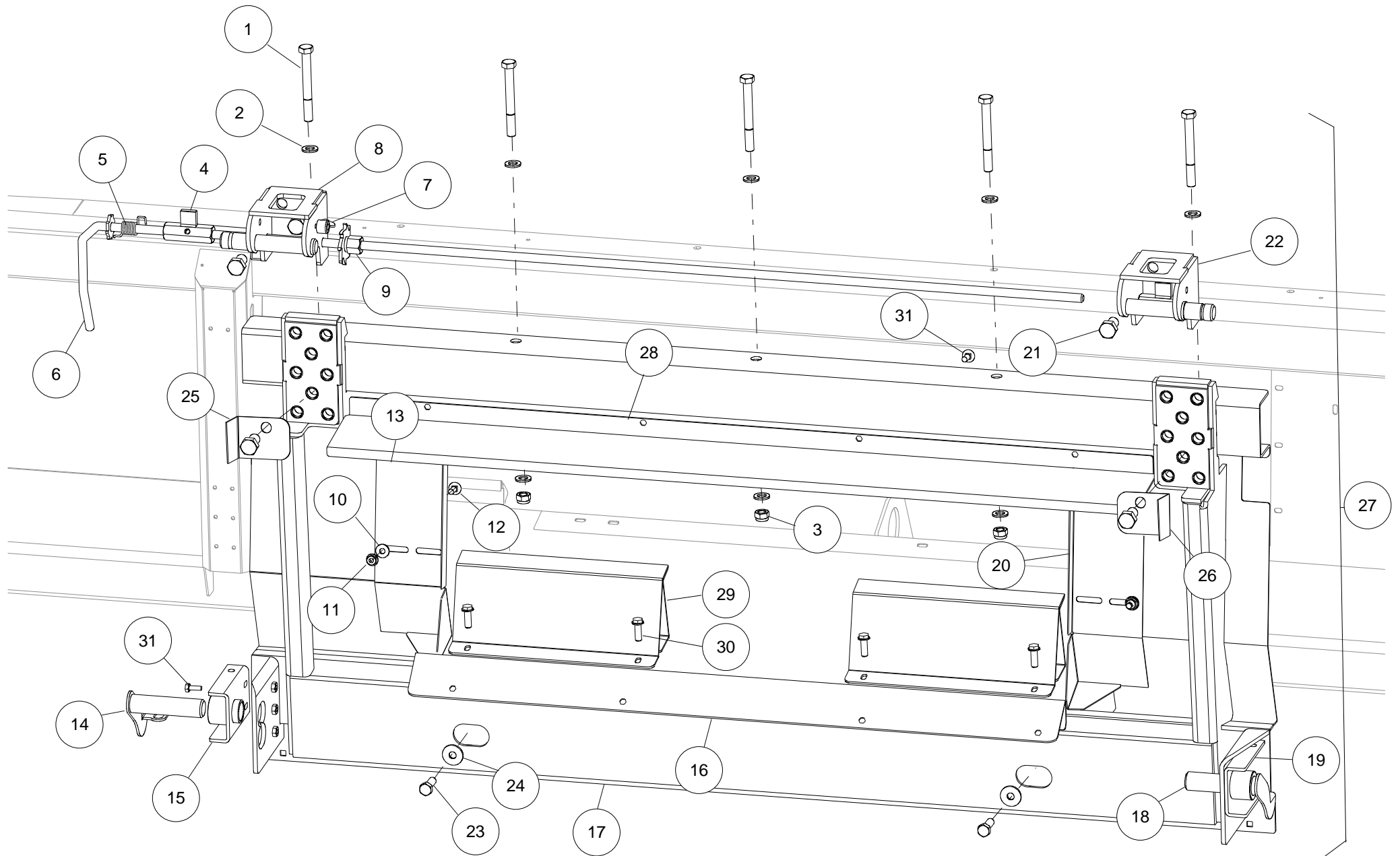
Pos	Code	Descrizione	Note	Description	Description	Beschreibung	Descripció
1	PMF-000196	VITE TE	M16X140	HEXAGONAL SCREW	VIS SIX PANS	SECHSKANTSCHRAUBE	TORNILLO
2	PMF-000437	RONDELLA	17X30X3	WASHER	RONDELLE	SCHEIBE	ARANDELLA
3	PMF-000052	DADO AUTOBLOCCANTE	M16	SECURING NUT	ECROU INDESSERRAB	SICHERUNGSMUTTER	CONTRATUERCA
4	M2-50024	GANCIO		HOOK	CROCHET	VERSCHLUSSHAKEN	GANCHO
5	M1-50163	MOLLA		COMPRESS SPRING	RESSORT	DRUCKFEDER	MUELLE
6	M2-50011	MANIGLIA		STRAP	MANILLE	HANDGRIFF	MANIJA
7	M1-50162	FERMO		BLOCK	BLOC	BLOCK	BLOQUE
8	01.3085.00	AGGANCIO		HOOK	CROCHET	VERSCHLUSSHAKEN	GANCHO
9	M2-50025	ROCCHETTO		TOOTH WHEEL	ROUE DENTEE	ZAHNRAD	ENGRANAJE
10	PMF-000075	RONDELLA	10X30X2.5	WASHER	RONDELLE	SCHEIBE	ARANDELLA
11	PMF-000012	DADO TENSILOCK	M10	SECURING NUT TENSILOCK	ECROU TENSILOCK	SICHERUNGSMUTTER TENSILOCK	CONTRATUERCA TENSILOCK
12	PMF-000341	VITE TBQS	M10X30	COACH SCREW	VIS A TETE BOMBEE	FLACHRUNDSCHRAUBE	TORNILLO
13	01.3084.00	STRETTOIA		PLATE	PLAQUE	PLATTE	PLACA
14	M2-50010	PERNO DESTRO		RIGHT PIVOT	PIVOT DROITE	ZAPFEN RECHTS	PIVOTE DERECHI
15	M2-50008	PIASTRA DESTRA		RIGHT PLATE	PLAQUE DROITE	PLATTE RECHTS	PLACA DERECHA
16	01.3100.00	ONDA		PLATE	PLAQUE	PLATTE	PLACA
17	01.3083.00	PIASTRA D'ATTACCO		MOUNTING PLATE	PLAQUE	EINHAENGESCHILD	PLACA DE MONTAJE
18	M2-50007	PIASTRA SINISTRA		LEFT PLATE	PLAQUE GAUCHE	PLATTE LINKS	PLACA IZQUIERDA
19	M2-50009	PERNO SINISTRO		LEFT PIVOT	PIVOT GAUCHE	ZAPFEN LINKS	PIVOTE IZQUIERDO
20	01.3086.00	STRETTOIA		PLATE	PLAQUE	PLATTE	PLACA
21	PMF-000319	VITE TE	M10X35	HEXAGONAL SCREW	VIS SIX PANS	SECHSKANTSCHRAUBE	TORNILLO
22	01.3087.00	AGGANCIO		HOOK	CROCHET	VERSCHLUSSHAKEN	GANCHO
23	PMF-000091	VITE TE	M14X40	HEXAGONAL SCREW	VIS SIX PANS	SECHSKANTSCHRAUBE	TORNILLO
24	02.4520.00	RONDELLA	14X40X4	WASHER	RONDELLE	SCHEIBE	ARANDELLA
25	01.3089.00	CHIUSURA SINISTRA		LEFT CLOSURE	CLÔTURE GAUCHE	SCHLIESSEN LINKS	CIERRE IZQUIERDA
26	01.3090.00	CHIUSURA DESTRA		RIGHT CLOSURE	CLÔTURE DROITE	SCHLIESSEN RECHTS	CIERRE DERECHA



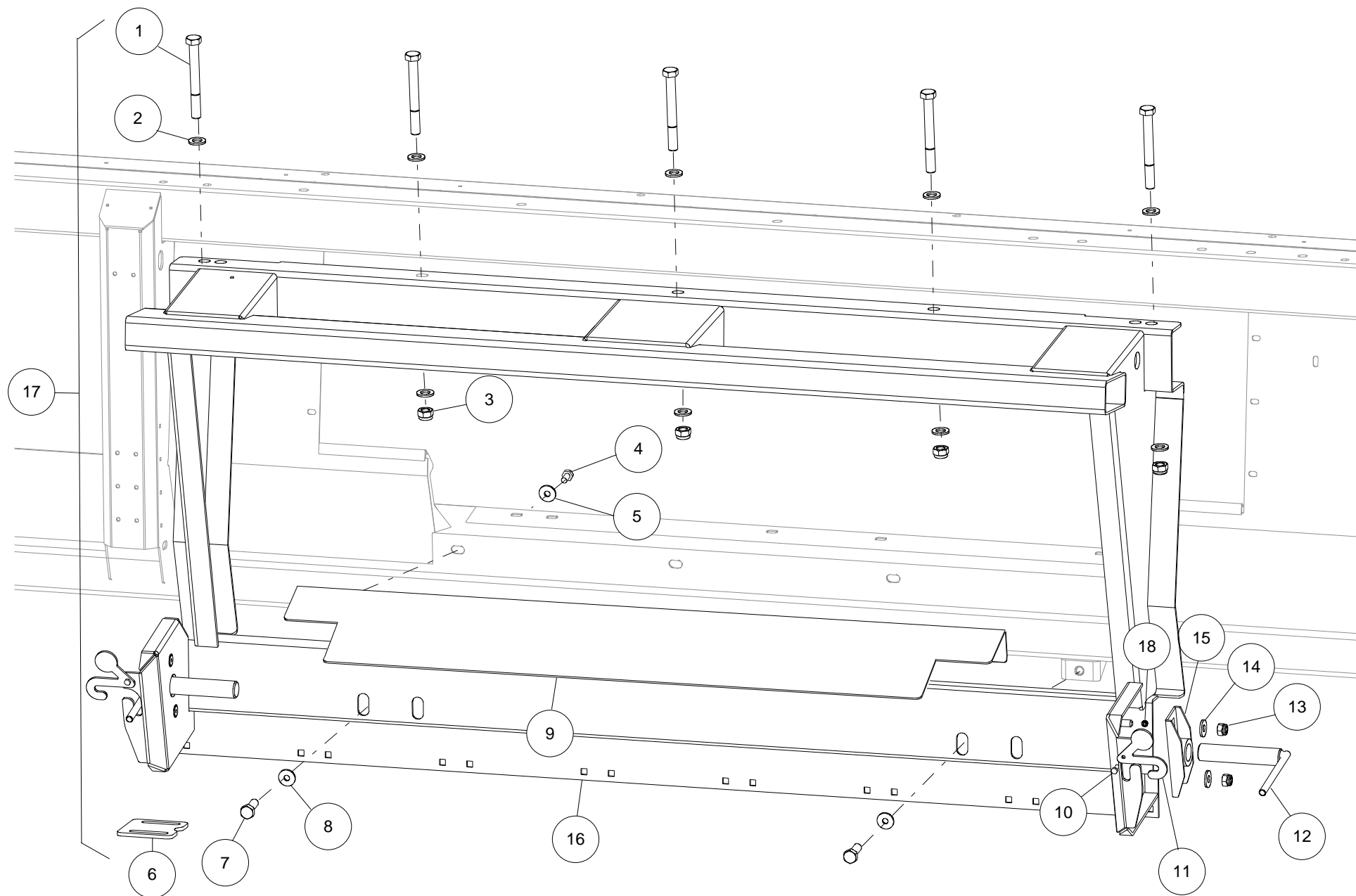
Pos	Code	Descrizione	Note	Description	Description	Beschreibung	Descripcìon
27	07.0040.01	PIASTRA D'ATTACCO COMPLETA		COMPLETE MOUNTING PLATE	PLAQUE COMPLETE	EINHAENGESCHILD KOMPLETT	PLACA DE MONTAJE COMPLETA
28	01.3099.00	CHIUSURA		CLOSURE	CLÔTURE	SCHLIESSEN	CIERRE
29	PMF-000186	VITE TE	M10X25	HEXAGONAL SCREW	VIS SIX PANS	SECHSKANTSCHRAUBE	TORNILLO



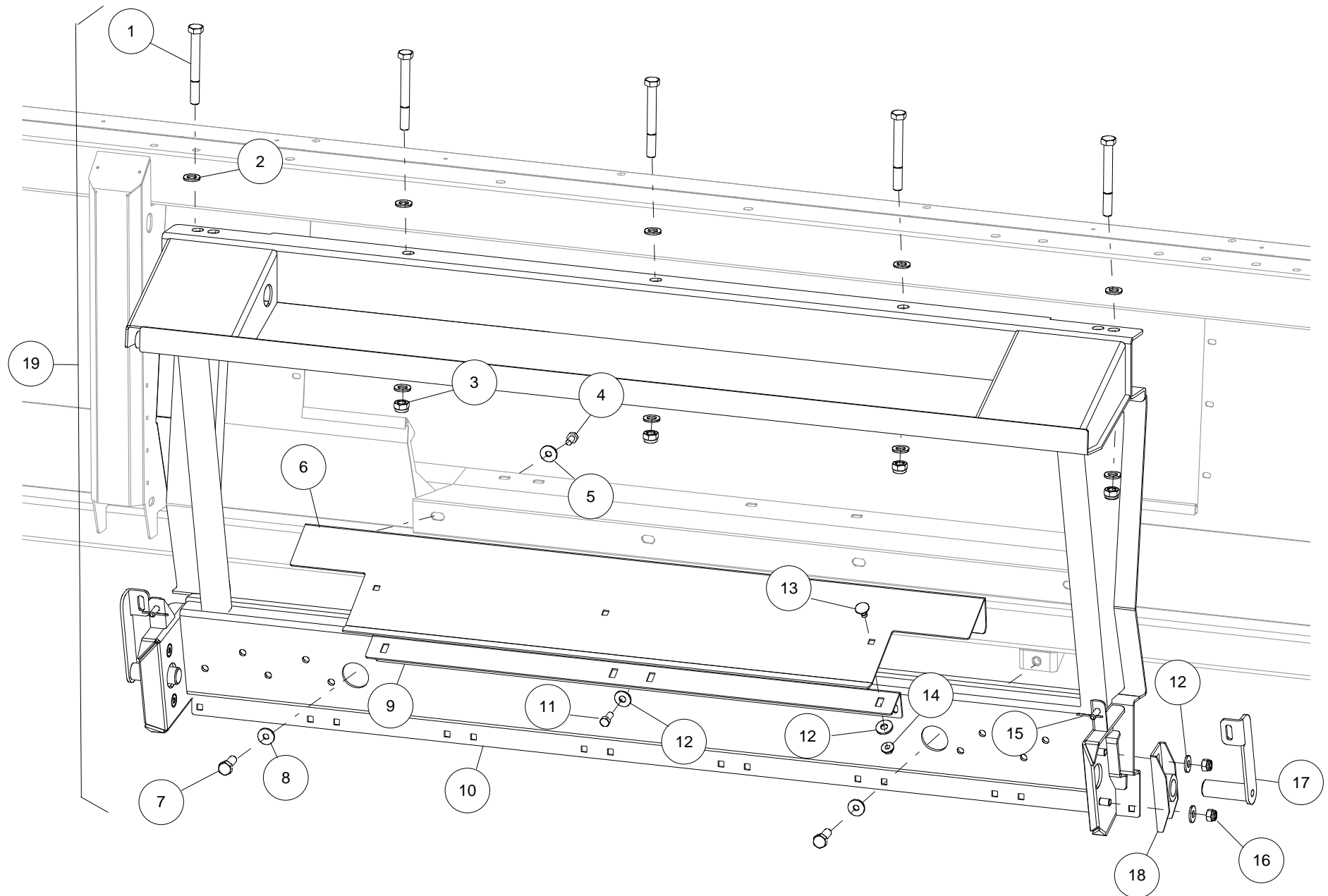
Pos	Code	Descrizione	Note	Description	Description	Beschreibung	Descripció
1	PMF-000196	VITE TE	M16X140	HEXAGONAL SCREW	VIS SIX PANS	SECHSKANTSCHRAUBE	TORNILLO
2	PMF-000437	RONDELLA	17X30X3	WASHER	RONDELLE	SCHEIBE	ARANDELLA
3	PMF-000052	DADO AUTOBLOCCANTE	M16	SECURING NUT	ECROU INDESSERRAB	SICHERUNGSMUTTER	CONTRATUERCA
4	M2-50024	GANCIO		HOOK	CROCHET	VERSCHLUSSHAKEN	GANCHO
5	M1-50163	MOLLA		COMPRESS SPRING	RESSORT	DRUCKFEDER	MUELLE
6	M2-50011	MANIGLIA		STRAP	MANILLE	HANDGRIFF	MANIJA
7	M1-50162	FERMO		BLOCK	BLOC	BLOCK	BLOQUE
8	01.3085.00	AGGANCIO		HOOK	CROCHET	VERSCHLUSSHAKEN	GANCHO
9	M2-50025	ROCCHETTO		TOOTH WHEEL	ROUE DENTEE	ZAHNRAD	ENGRANAJE
10	PMF-000075	RONDELLA	10X26X2.5	WASHER	RONDELLE	SCHEIBE	ARANDELLA
11	PMF-000012	DADO TENSILOCK	M10	SECURING NUT TENSILOCK	ECROU TENSILOCK	SICHERUNGSMUTTER TENSILOCK	CONTRATUERCA TENSILOCK
12	PMF-000341	VITE TBQS	M10X30	COACH SCREW	VIS A TETE BOMBEE	FLACHRUNDSCHRAUBE	TORNILLO
13	01.3084.00	STRETTOIA		PLATE	PLAQUE	PLATTE	PLACA
14	M2-50010	PERNO DESTRO		RIGHT PIVOT	PIVOT DROITE	ZAPFEN RECHTS	PIVOTE DERECHI
15	M2-50008	PIASTRA DESTRA		RIGHT PLATE	PLAQUE DROITE	PLATTE RECHTS	PLACA DERECHA
16	01.3135.00	ONDA		PLATE	PLAQUE	PLATTE	PLACA
17	01.3083.00	PIASTRA D'ATTACCO		MOUNTING PLATE	PLAQUE	EINHAENGESCHILD	PLACA DE MONTAJE
18	M2-50007	PIASTRA SINISTRA		LEFT PLATE	PLAQUE GAUCHE	PLATTE LINKS	PLACA IZQUIERDA
19	M2-50009	PERNO SINISTRO		LEFT PIVOT	PIVOT GAUCHE	ZAPFEN LINKS	PIVOTE IZQUIERDO
20	01.3086.00	STRETTOIA		PLATE	PLAQUE	PLATTE	PLACA
21	PMF-000319	VITE TE	M10X35	HEXAGONAL SCREW	VIS SIX PANS	SECHSKANTSCHRAUBE	TORNILLO
22	01.3087.00	AGGANCIO		HOOK	CROCHET	VERSCHLUSSHAKEN	GANCHO
23	PMF-000091	VITE TE	M14X40	HEXAGONAL SCREW	VIS SIX PANS	SECHSKANTSCHRAUBE	TORNILLO
24	02.4520.00	RONDELLA	14X40X4	WASHER	RONDELLE	SCHEIBE	ARANDELLA
25	01.3089.00	CHIUSURA SINISTRA		LEFT CLOSURE	CLÔTURE GAUCHE	SCHLIESSEN LINKS	CIERRE IZQUIERDA
26	01.3090.00	CHIUSURA DESTRA		RIGHT CLOSURE	CLÔTURE DROITE	SCHLIESSEN RECHTS	CIERRE DERECHA



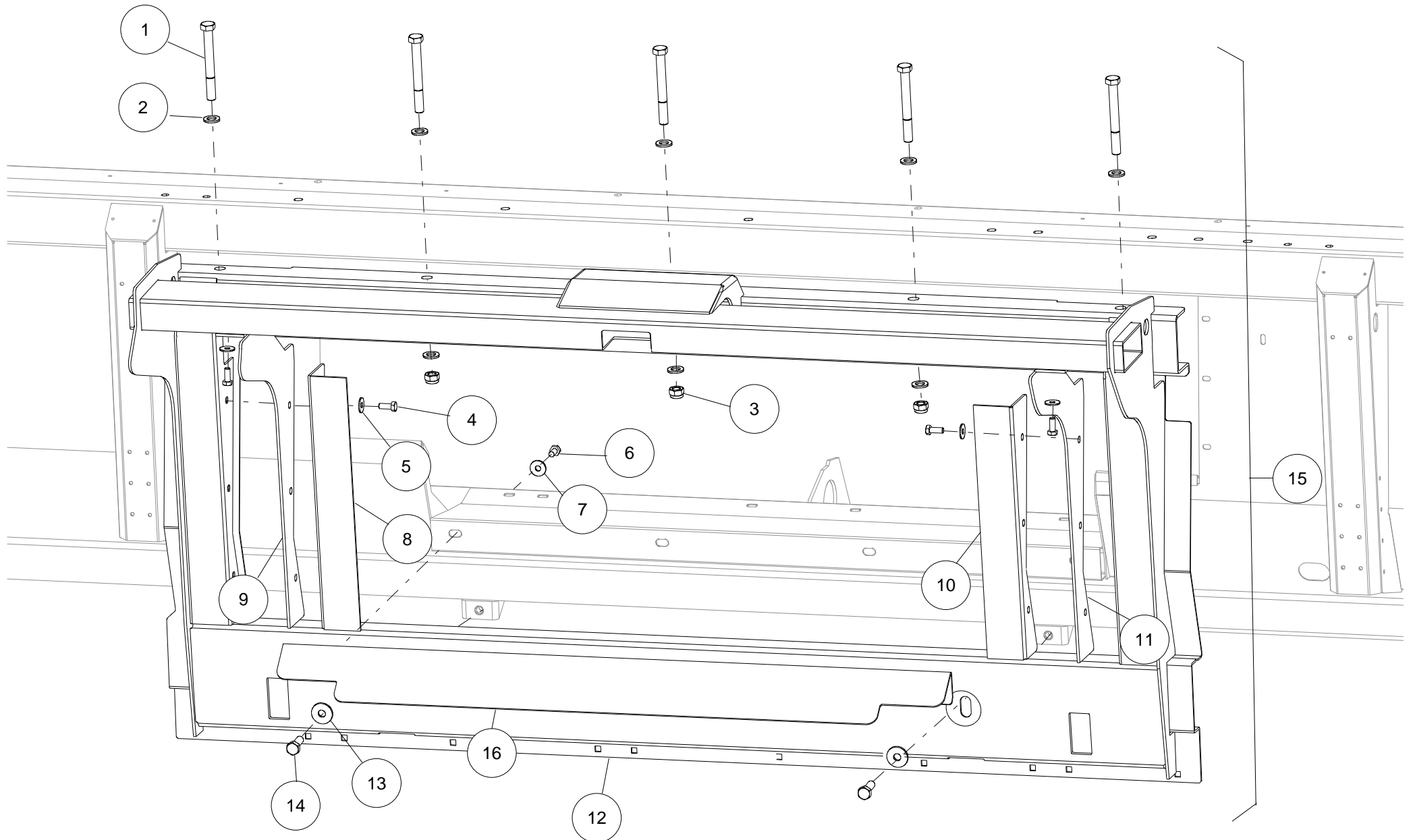
Pos	Code	Descrizione	Note	Description	Description	Beschreibung	Descripcìon
27	07.0042.01	PIASTRA D'ATTACCO COMPLETA		COMPLETE MOUNTING PLATE	PLAQUE COMPLETE	EINHAENGESCHILD KOMPLETT	PLACA DE MONTAJE COMPLETA
28	01.3099.00	CHIUSURA		CLOSURE	CLÔTURE	SCHLIESSEN	CIERRE
29	01.3136.00	RASAMENTO		STRIPPER KNIFE	LAME RACLEUSE	ABSTREIFMESSER	RASCADOR
30	PMF-000034	VITE TENSILOCK	M8X20	SECURING SCREW TENSILOCK	VIS TENSILOCK	SCHRAUBE TENSILOCK	TORNILLO TENSILOCK
31	PMF-000186	VITE TE	M10X25	HEXAGONAL SCREW	VIS SIX PANS	SECHSKANTSCHRAUBE	TORNILLO



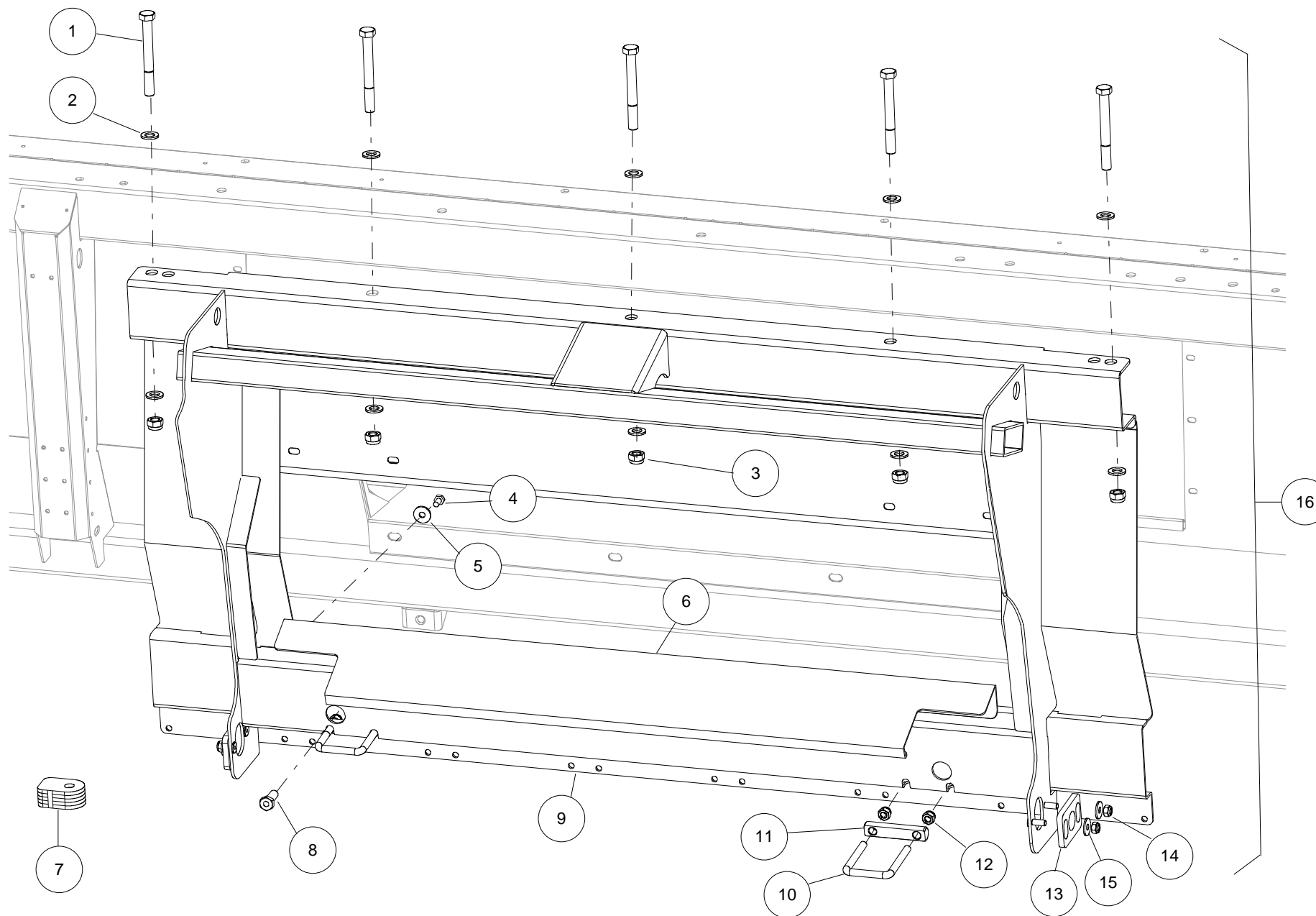
Pos	Code	Descrizione	Note	Description	Description	Beschreibung	Descripcìon
1	PMF-000196	VITE TE	M16X140	HEXAGONAL SCREW	VIS SIX PANS	SECHSKANTSCHRAUBE	TORNILLO
2	PMF-000437	RONDELLA	17X30X3	WASHER	RONDELLE	SCHEIBE	ARANDELLA
3	PMF-000052	DADO AUTOBLOCCANTE	M16	SECURING NUT	ECROU INDESSERRAB	SICHERUNGSMUTTER	CONTRATUERCA
4	PMF-000134	VITE TE	M10X20	HEXAGONAL SCREW	VIS SIX PANS	SECHSKANTSCHRAUBE	TORNILLO
5	PMF-000075	RONDELLA	10X30X2.5	WASHER	RONDELLE	SCHEIBE	ARANDELLA
6	01.3145.00	BLOCCAGGIO		LOCKING	BLOCAGE	VERSCHLUSS	TAPA
7	PMF-000091	VITE TE	M14X40	HEXAGONAL SCREW	VIS SIX PANS	SECHSKANTSCHRAUBE	TORNILLO
8	02.4520.00	RONDELLA	14X40X4	WASHER	RONDELLE	SCHEIBE	ARANDELLA
9	01.3146.00	ONDA		PLATE	PLAQUE	PLATTE	PLACA
10	PMF-000014	VITE TE		HEXAGONAL SCREW	VIS SIX PANS	SECHSKANTSCHRAUBE	TORNILLO
11	01.0759.00	FERMO		BLOCK	BLOC	BLOCK	BLOQUE
12	01.3147.00	MANIGLIA		STRAP	MANILLE	HANDGRIFF	MANIJA
13	PMF-000414	DADO AUTOBLOCCANTE	M12	SECURING NUT	ECROU INDESSERRAB	SICHERUNGSMUTTER	CONTRATUERCA
14	M1-80124	RONDELLA		WASHER	RONDELLE	SCHEIBE	ARANDELLA
15	01.3173.00	CENTRAGGIO		CENTERING	CENTRAGE	ZENTRIER	CENTRAJE
16	01.3148.00	PIASTRA D'ATTACCO		MOUNTING PLATE	PLAQUE	EINHAENGESCHILD	PLACA DE MONTAJE
17	07.0045.00	PIASTRA D'ATTACCO COMPLETA		COMPLETE MOUNTING PLATE	PLAQUE COMPLETE	EINHAENGESCHILD KOMPLETT	PLACA DE MONTAJE COMPLETA
18	PMF-000101	DADO AUTOBLOCCANTE	M6	SECURING NUT	ECROU INDESSERRAB	SICHERUNGSMUTTER	CONTRATUERCA



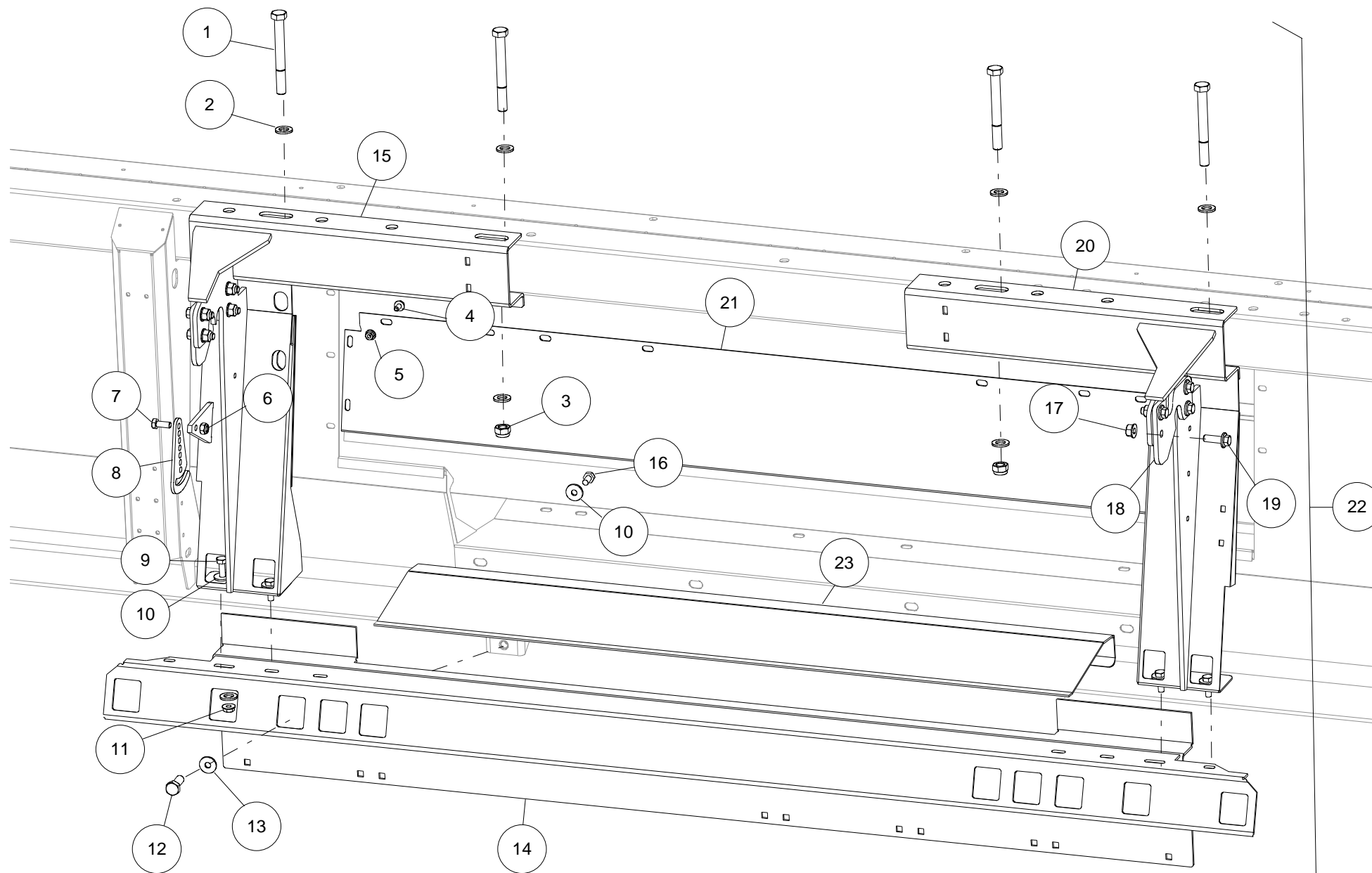
Pos	Code	Descrizione	Note	Description	Description	Beschreibung	Descripcìon
1	PMF-000196	VITE TE	M16X140	HEXAGONAL SCREW	VIS SIX PANS	SECHSKANTSCHRAUBE	TORNILLO
2	PMF-000437	RONDELLA	17X30X3	WASHER	RONDELLE	SCHEIBE	ARANDELLA
3	PMF-000052	DADO AUTOBLOCCANTE	M16	SECURING NUT	ECROU INDESSERRAB	SICHERUNGSMUTTER	CONTRATUERCA
4	PMF-000134	VITE TE	M10X20	HEXAGONAL SCREW	VIS SIX PANS	SECHSKANTSCHRAUBE	TORNILLO
5	PMF-000075	RONDELLA	10X30X2.5	WASHER	RONDELLE	SCHEIBE	ARANDELLA
6	01.3149.00	ONDA		PLATE	PLAQUE	PLATTE	PLACA
7	PMF-000091	VITE TE	M14X40	HEXAGONAL SCREW	VIS SIX PANS	SECHSKANTSCHRAUBE	TORNILLO
8	02.4520.00	RONDELLA	14X40X4	WASHER	RONDELLE	SCHEIBE	ARANDELLA
9	01.3150.00	ONDA		PLATE	PLAQUE	PLATTE	PLACA
10	01.3151.00	PIASTRA D'ATTACCO		MOUNTING PLATE	PLAQUE	EINHAENGESCHILD	PLACA DE MONTAJE
11	PMF-000186	VITE TE	M10X25	HEXAGONAL SCREW	VIS SIX PANS	SECHSKANTSCHRAUBE	TORNILLO
12	M1-80124	RONDELLA		WASHER	RONDELLE	SCHEIBE	ARANDELLA
13	PMF-000334	VITE TBQS	M10X20	COACH SCREW	VIS A TETE BOMBEE	FLACHRUNDSCHRAUBE	TORNILLO
14	PMF-000012	DADO TENSILOCK	M10	SECURING NUT TENSILOCK	ECROU TENSILOCK	SICHERUNGSMUTTER TENSILOCK	CONTRATUERCA TENSILOCK
15	PMF-000494	COPIGLIA		SPRING CLIP	GOUPILLE ELASTIQUE	FEDERSPLINT	CHAVETA
16	PMF-000414	DADO AUTOBLOCCANTE	M12	SECURING NUT	ECROU INDESSERRAB	SICHERUNGSMUTTER	CONTRATUERCA
17	01.3152.00	PERNO		PIVOT	TETON	ZAPFEN	PIVOTE
18	01.3174.00	STAFFA		BRACKET	SOPPORT	BUEGEL	SOPORTE
19	07.0044.00	PIASTRA D'ATTACCO COMPLETA		COMPLETE MOUNTING PLATE	PLAQUE COMPLETE	EINHAENGESCHILD KOMPLETT	PLACA DE MONTAJE COMPLETA



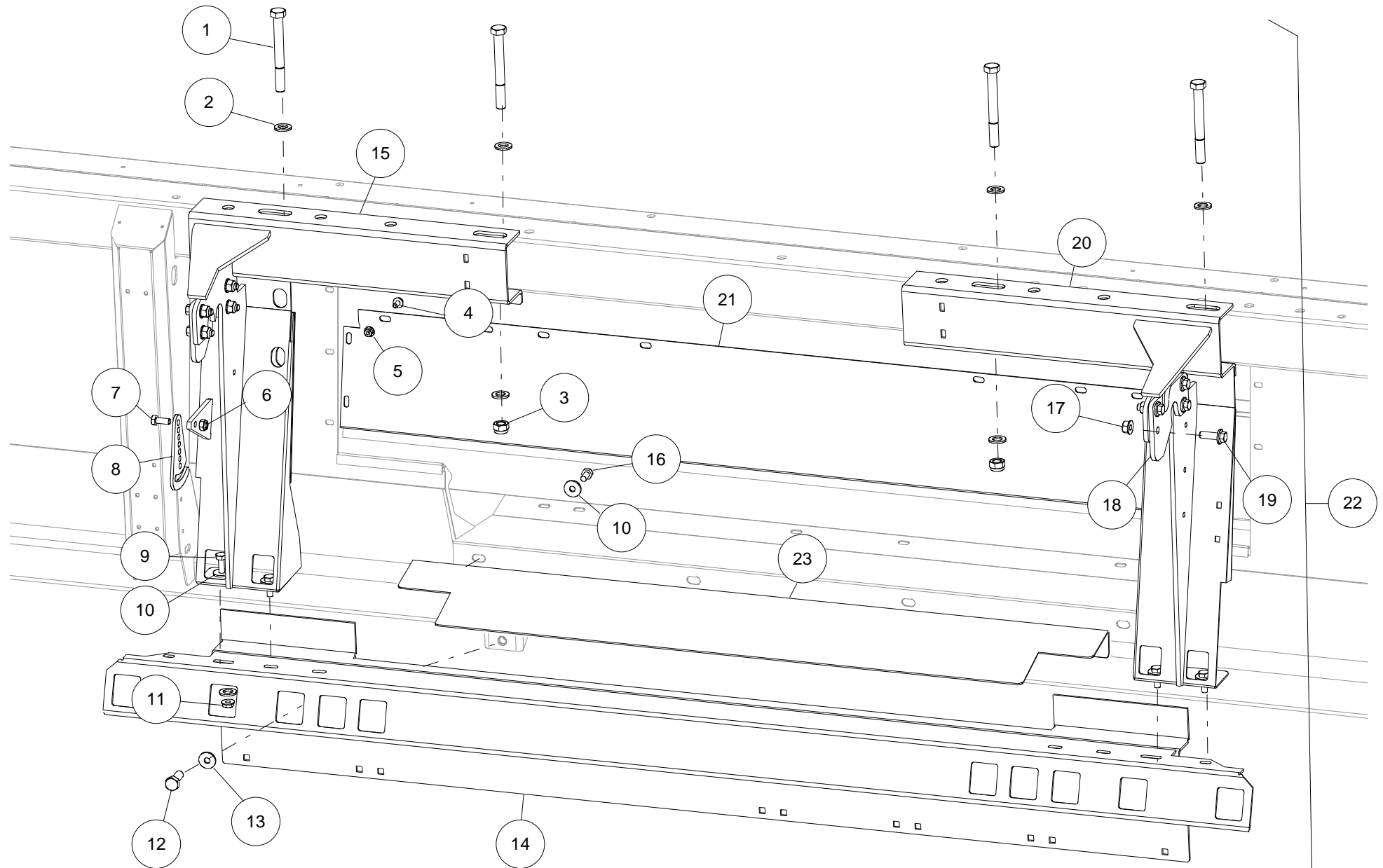
Pos	Code	Descrizione	Note	Description	Description	Beschreibung	Descripcìon
1	PMF-000196	VITE TE	M16X140	HEXAGONAL SCREW	VIS SIX PANS	SECHSKANTSCHRAUBE	TORNILLO
2	PMF-000437	RONDELLA	17X30X3	WASHER	RONDELLE	SCHEIBE	ARANDELLA
3	PMF-000052	DADO AUTOBLOCCANTE	M16	SECURING NUT	ECROU INDESSERRAB	SICHERUNGSMUTTER	CONTRATUERCA
4	PMF-000186	VITE TE	M10X25	HEXAGONAL SCREW	VIS SIX PANS	SECHSKANTSCHRAUBE	TORNILLO
5	02.4461.00	RONDELLA	10X28X2	WASHER	RONDELLE	SCHEIBE	ARANDELLA
6	PMF-000134	VITE TE	M10X20	HEXAGONAL SCREW	VIS SIX PANS	SECHSKANTSCHRAUBE	TORNILLO
7	PMF-000075	RONDELLA	10X30X2.5	WASHER	RONDELLE	SCHEIBE	ARANDELLA
8	01.3091.00	STRETTOIA SINISTRA		LEFT PLATE	PLAQUE GAUCHE	PLATTE LINKS	PLACA IZQUIERDA
9	01.3093.00	RINFORZO		REINFORCEMENT	RENFORT	VERSTAERKUNG	REFUERZO
10	01.3092.00	STRETTOIA DESTRA		LEFT PLATE	PLAQUE GAUCHE	PLATTE LINKS	PLACA IZQUIERDA
11	01.3094.00	RINFORZO		REINFORCEMENT	RENFORT	VERSTAERKUNG	REFUERZO
12	01.3095.00	PIASTRA D'ATTACCO		MOUNTING PLATE	PLAQUE	EINHAENGESCHILD	PLACA DE MONTAJE
13	02.4520.00	RONDELLA	14X40X4	WASHER	RONDELLE	SCHEIBE	ARANDELLA
14	PMF-000091	VITE TE	M14X40	HEXAGONAL SCREW	VIS SIX PANS	SECHSKANTSCHRAUBE	TORNILLO
15	07.0030.00	PIASTRA D'ATTACCO COMPLETA		COMPLETE MOUNTING PLATE	PLAQUE COMPLETE	EINHAENGESCHILD KOMPLETT	PLACA DE MONTAJE COMPLETA
16	01.3101.00	ONDA		PLATE	PLAQUE	PLATTE	PLACA



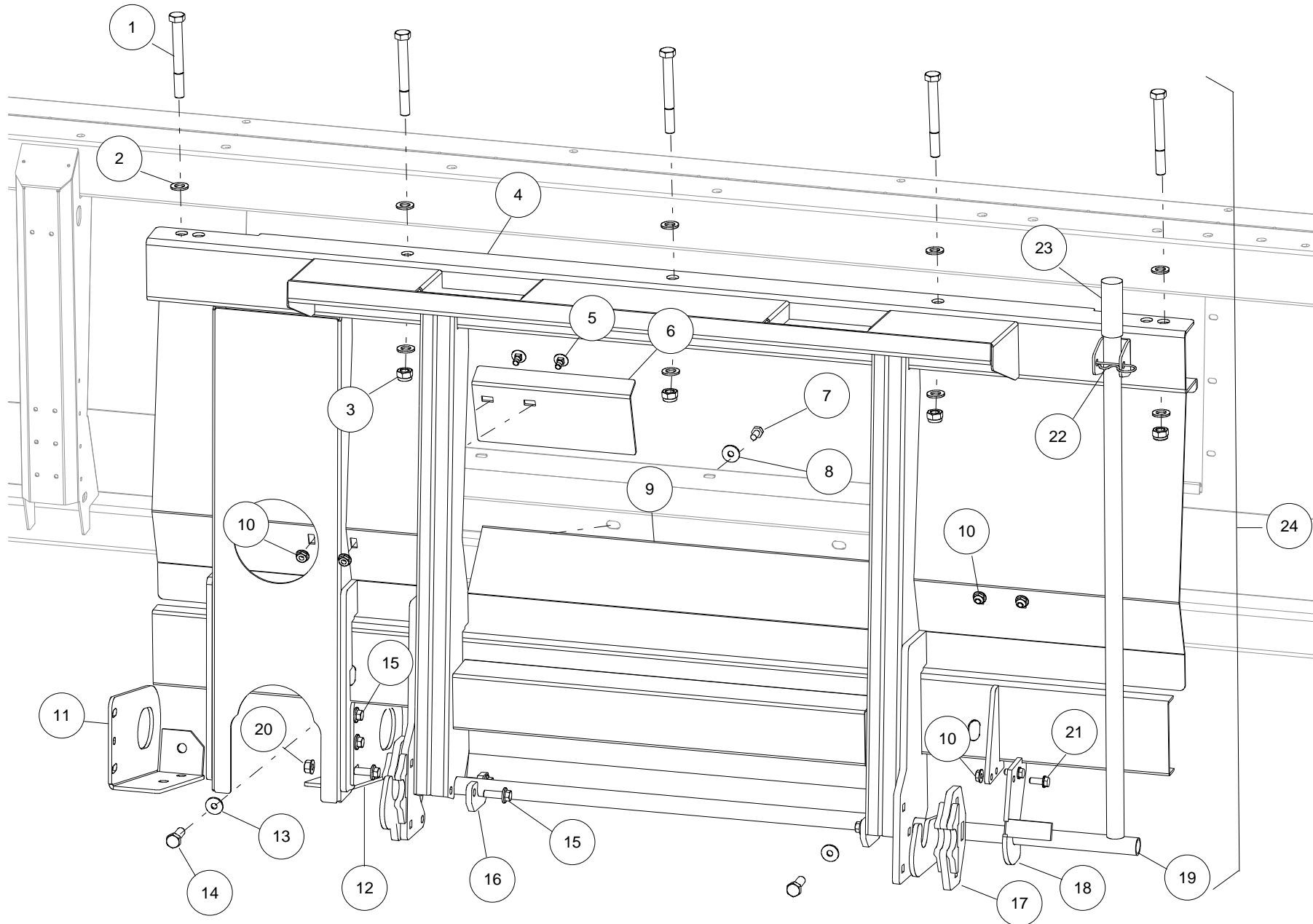
Pos	Code	Descrizione	Note	Description	Description	Beschreibung	Descripcìon
1	PMF-000196	VITE TE	M16X140	HEXAGONAL SCREW	VIS SIX PANS	SECHSKANTSCHRAUBE	TORNILLO
2	PMF-000437	RONDELLA	17X30X3	WASHER	RONDELLE	SCHEIBE	ARANDELLA
3	PMF-000052	DADO AUTOBLOCCANTE	M16	SECURING NUT	ECROU INDESSERRAB	SICHERUNGSMUTTER	CONTRATUERCA
4	PMF-000134	VITE TE	M10X20	HEXAGONAL SCREW	VIS SIX PANS	SECHSKANTSCHRAUBE	TORNILLO
5	PMF-000075	RONDELLA	10X30X2.5	WASHER	RONDELLE	SCHEIBE	ARANDELLA
6	01.3131.00	ONDA		PLATE	PLAQUE	PLATTE	PLACA
7	01.2143.00	SPESSORE		PLATE SPACER	TOLE	DISTANZBLECH	DISTANCIADOR
8	PMF-000349	VITE TSEI	M14X40	COUNTERSUNK BOLT	VIS A TETE FRAISEE	SENKSCRAUBE	TORNILLO
9	01.3098.00	PIASTRA D'ATTACCO		MOUNTING PLATE	PLAQUE	EINHAENGESCHILD	PLACA DE MONTAJE
10	01.3132.00	FORCELLA		CLEVIS	TETE DE FOURCHE	GABELKOPF	CABEZA DE HORQUILLA
11	01.3133.00	CHIUSURA		CLOSURE	CLÔTURE	SCHLIESSEN	CIERRE
12	PMF-000414	DADO AUTOBLOCCANTE	M12	SECURING NUT	ECROU INDESSERRAB	SICHERUNGSMUTTER	CONTRATUERCA
13	01.3134.00	PIASTRA		PLATE	PLAQUE	PLATTE	PLACA
14	PMF-000068	DADO AUTOBLOCCANTE	M10	SECURING NUT	ECROU INDESSERRAB	SICHERUNGSMUTTER	CONTRATUERCA
15	PMF-000075	RONDELLA	10X30X2.5	WASHER	RONDELLE	SCHEIBE	ARANDELLA
16	07.0021.00	PIASTRA D'ATTACCO COMPLETA		COMPLETE MOUNTING PLATE	PLAQUE COMPLETE	EINHAENGESCHILD KOMPLETT	PLACA DE MONTAJE COMPLETA



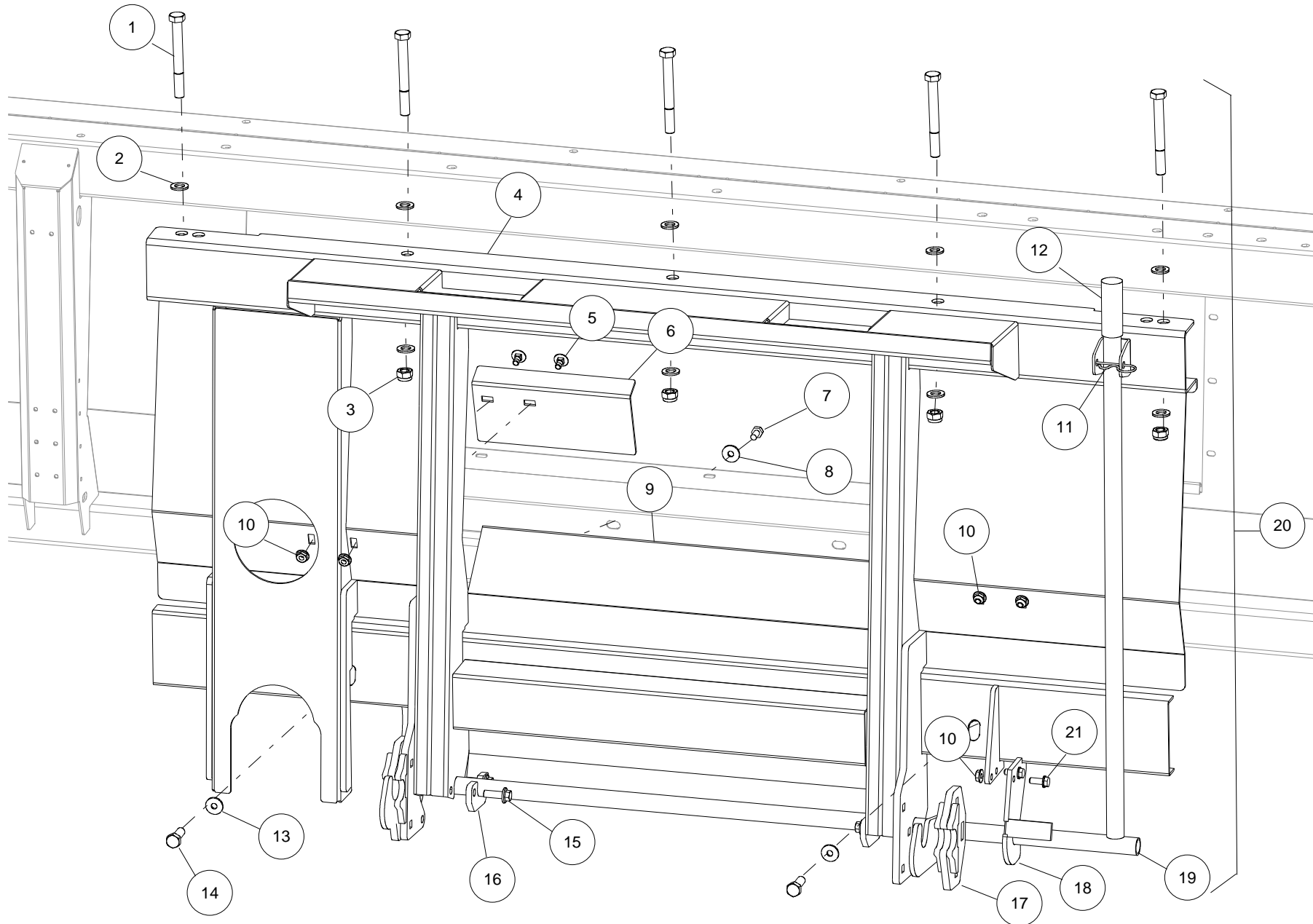
Pos	Code	Descrizione	Note	Description	Description	Beschreibung	Descripció
1	PMF-000196	VITE TE	M16X140	HEXAGONAL SCREW	VIS SIX PANS	SECHSKANTSCHRAUBE	TORNILLO
2	PMF-000437	RONDELLA	17X30X3	WASHER	RONDELLE	SCHEIBE	ARANDELLA
3	PMF-000052	DADO AUTOBLOCCANTE	M16	SECURING NUT	ECROU INDESSERRAB	SICHERUNGSMUTTER	CONTRATUERCA
4	PMF-000047	VITE TENSILOCK	M8X16	SECURING SCREW TENSILOCK	VIS TENSILOCK	SCHRAUBE TENSILOCK	TORNILLO TENSILOCK
5	PMF-000016	DADO TENSILOCK	M8	SECURING NUT TENSILOCK	ECROU TENSILOCK	SICHERUNGSMUTTER TENSILOCK	CONTRATUERCA TENSILOCK
6	PMF-000068	DADO AUTOBLOCCANTE	M10	SECURING NUT	ECROU INDESSERRAB	SICHERUNGSMUTTER	CONTRATUERCA
7	PMF-000186	VITE TE	M10X25	HEXAGONAL SCREW	VIS SIX PANS	SECHSKANTSCHRAUBE	TORNILLO
8	01.3137.00	GANCIO		HOOK	CROCHET	VERSCHLUSSHAKEN	GANCHO
9	PMF-000132	VITE TE	M10X30	HEXAGONAL SCREW	VIS SIX PANS	SECHSKANTSCHRAUBE	TORNILLO
10	PMF-000075	RONDELLA	10X30X2.5	WASHER	RONDELLE	SCHEIBE	ARANDELLA
11	PMF-000012	DADO TENSILOCK	M10	SECURING NUT TENSILOCK	ECROU TENSILOCK	SICHERUNGSMUTTER TENSILOCK	CONTRATUERCA TENSILOCK
12	PMF-000091	VITE TE	M14X40	HEXAGONAL SCREW	VIS SIX PANS	SECHSKANTSCHRAUBE	TORNILLO
13	02.4520.00	RONDELLA	14X40X4	WASHER	RONDELLE	SCHEIBE	ARANDELLA
14	01.3138.00	TRAVERSA		CROSSBAR	TRAVERSE	QUERLATTE	TRAVERSANO
15	01.3139.00	MONTANTE		MAST	MAST	MAST	MÁSTIL
16	PMF-000134	VITE TE	M10X20	HEXAGONAL SCREW	VIS SIX PANS	SECHSKANTSCHRAUBE	TORNILLO
17	PMF-000060	DADO TENSILOCK	M12	SECURING NUT TENSILOCK	ECROU TENSILOCK	SICHERUNGSMUTTER TENSILOCK	CONTRATUERCA TENSILOCK
18	01.3140.00	BLOCCAGGIO		LOCKING	BLOCAGE	VERSCHLUSS	TAPA
19	PMF-000252	VITE TENSILOCK	M12X35	SECURING SCREW TENSILOCK	VIS TENSILOCK	SCHRAUBE TENSILOCK	TORNILLO TENSILOCK
20	01.3141.00	MONTANTE		MAST	MAST	MAST	MÁSTIL
21	01.3142.00	RIPARO PANNOCCHIE		SHELTER COB	CAOTCHOUC	SHELTER COB	COB REPARO
22	07.0050.00	PIASTRA D'ATTACCO COMPLETA		COMPLETE MOUNTING PLATE	PLAQUE COMPLETE	EINHAENGESCHILD KOMPLETT	PLACA DE MONTAJE COMPLETA
23	01.3143.00	ONDA		PLATE	PLAQUE	PLATTE	PLACA



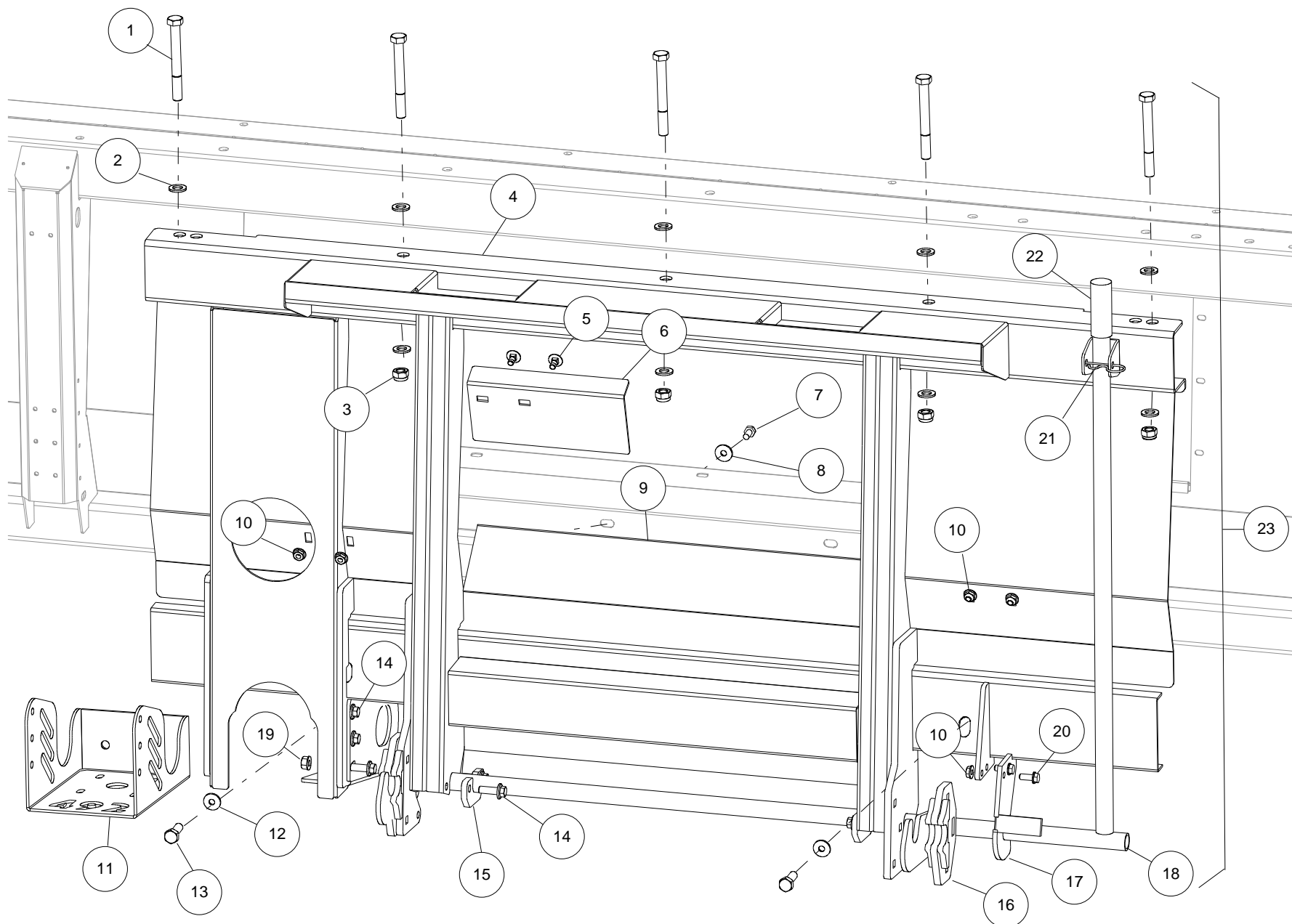
Pos	Code	Descrizione	Note	Description	Description	Beschreibung	Descripció
1	PMF-000196	VITE TE	M16X140	HEXAGONAL SCREW	VIS SIX PANS	SECHSKANTSCHRAUBE	TORNILLO
2	PMF-000437	RONDELLA	17X30X3	WASHER	RONDELLE	SCHEIBE	ARANDELLA
3	PMF-000052	DADO AUTOBLOCCANTE	M16	SECURING NUT	ECROU INDESSERRAB	SICHERUNGSMUTTER	CONTRATUERCA
4	PMF-000047	VITE TENSILOCK	M8X16	SECURING SCREW TENSILOCK	VIS TENSILOCK	SCHRAUBE TENSILOCK	TORNILLO TENSILOCK
5	PMF-000016	DADO TENSILOCK	M8	SECURING NUT TENSILOCK	ECROU TENSILOCK	SICHERUNGSMUTTER TENSILOCK	CONTRATUERCA TENSILOCK
6	PMF-000068	DADO AUTOBLOCCANTE	M10	SECURING NUT	ECROU INDESSERRAB	SICHERUNGSMUTTER	CONTRATUERCA
7	PMF-000186	VITE TE	M10X25	HEXAGONAL SCREW	VIS SIX PANS	SECHSKANTSCHRAUBE	TORNILLO
8	01.3137.00	GANCIO		HOOK	CROCHET	VERSCHLUSSHAKEN	GANCHO
9	PMF-000132	VITE TE	M10X30	HEXAGONAL SCREW	VIS SIX PANS	SECHSKANTSCHRAUBE	TORNILLO
10	PMF-000075	RONDELLA	10X30X2.5	WASHER	RONDELLE	SCHEIBE	ARANDELLA
11	PMF-000012	DADO TENSILOCK	M10	SECURING NUT TENSILOCK	ECROU TENSILOCK	SICHERUNGSMUTTER TENSILOCK	CONTRATUERCA TENSILOCK
12	PMF-000091	VITE TE	M14X40	HEXAGONAL SCREW	VIS SIX PANS	SECHSKANTSCHRAUBE	TORNILLO
13	02.4520.00	RONDELLA	14X40X4	WASHER	RONDELLE	SCHEIBE	ARANDELLA
14	01.3138.00	TRAVERSA		CROSSBAR	TRAVERSE	QUERLATTE	TRAVERSANO
15	01.3139.00	MONTANTE		MAST	MAST	MAST	MÁSTIL
16	PMF-000134	VITE TE	M10X20	HEXAGONAL SCREW	VIS SIX PANS	SECHSKANTSCHRAUBE	TORNILLO
17	PMF-000060	DADO TENSILOCK	M12	SECURING NUT TENSILOCK	ECROU TENSILOCK	SICHERUNGSMUTTER TENSILOCK	CONTRATUERCA TENSILOCK
18	01.3140.00	BLOCCAGGIO		LOCKING	BLOCAGE	VERSCHLUSS	TAPA
19	PMF-000252	VITE TENSILOCK	M12X35	SECURING SCREW TENSILOCK	VIS TENSILOCK	SCHRAUBE TENSILOCK	TORNILLO TENSILOCK
20	01.3141.00	MONTANTE		MAST	MAST	MAST	MÁSTIL
21	01.3142.00	RIPARO PANNOCCHIE		SHELTER COB	CAOTCHOUC	SHELTER COB	COB REPARO
22	07.0051.00	PIASTRA D'ATTACCO COMPLETA		COMPLETE MOUNTING PLATE	PLAQUE COMPLETE	EINHAENGESCHILD KOMPLETT	PLACA DE MONTAJE COMPLETA
23	01.3144.00	ONDA		PLATE	PLAQUE	PLATTE	PLACA



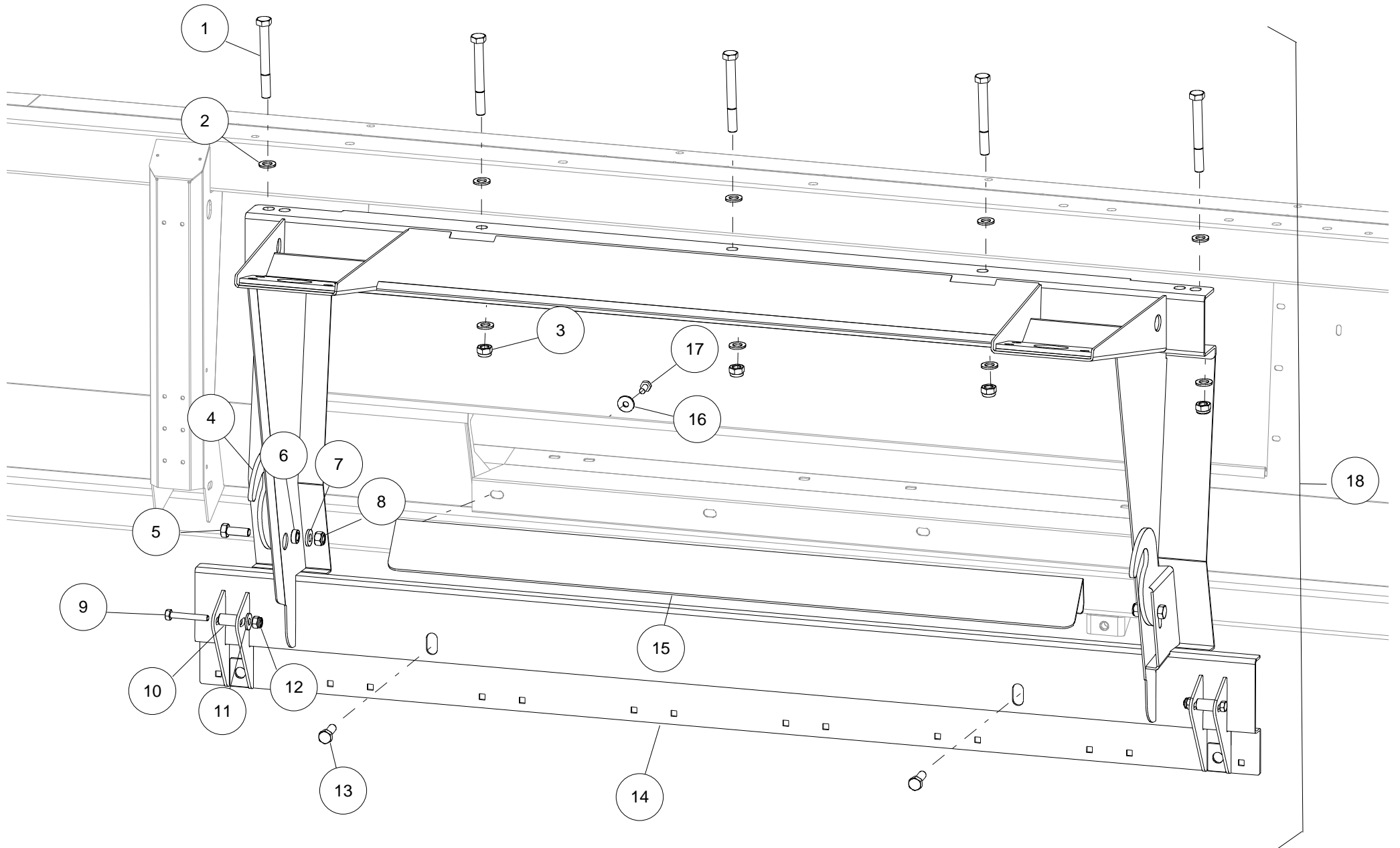
Pos	Code	Descrizione	Note	Description	Description	Beschreibung	Descripció
1	PMF-000196	VITE TE	M16X140	HEXAGONAL SCREW	VIS SIX PANS	SECHSKANTSCHRAUBE	TORNILLO
2	PMF-000437	RONDELLA	17X30X3	WASHER	RONDELLE	SCHEIBE	ARANDELLA
3	PMF-000052	DADO AUTOBLOCCANTE	M16	SECURING NUT	ECROU INDESSERRAB	SICHERUNGSMUTTER	CONTRATUERCA
4	01.3153.00	PIASTRA D'ATTACCO		MOUNTING PLATE	PLAQUE	EINHAENGESCHILD	PLACA DE MONTAJE
5	PMF-000334	VITE TBQS	M10X20	COACH SCREW	VIS A TETE BOMBEE	FLACHRUNDSCHRAUBE	TORNILLO
6	01.3154.00	RASAMENTO	RIGHT	STRIPPER KNIFE	LAME RACLEUSE	ABSTREIFMESSER	RASCADOR
6	01.3155.00	RASAMENTO	LEFT	STRIPPER KNIFE	LAME RACLEUSE	ABSTREIFMESSER	RASCADOR
7	PMF-000029	VITE TBQS	M10X25	COACH SCREW	VIS A TETE BOMBEE	FLACHRUNDSCHRAUBE	TORNILLO
8	PMF-000075	RONDELLA	10X30X2.5	WASHER	RONDELLE	SCHEIBE	ARANDELLA
9	01.3167.00	ONDA		PLATE	PLAQUE	PLATTE	PLACA
10	PMF-000012	DADO TENSILOCK	M10	SECURING NUT TENSILOCK	ECROU TENSILOCK	SICHERUNGSMUTTER TENSILOCK	CONTRATUERCA TENSILOCK
11	01.3171.00	SUPPORTO	LEFT	SUPPORT	SUPPORT	ABSTUZUNG	SOPORTE
12	01.3172.00	SUPPORTO	RIGHT	SUPPORT	SUPPORT	ABSTUZUNG	SOPORTE
13	02.4520.00	RONDELLA	14X40X4	WASHER	RONDELLE	SCHEIBE	ARANDELLA
14	PMF-000091	VITE TE	M14X40	HEXAGONAL SCREW	VIS SIX PANS	SECHSKANTSCHRAUBE	TORNILLO
15	PMF-000042	VITE TENSILOCK	M12X30	SECURING SCREW TENSILOCK	VIS TENSILOCK	SCHRAUBE TENSILOCK	TORNILLO TENSILOCK
16	01.3157.00	SUPPORTO		SUPPORT	SUPPORT	ABSTUZUNG	SOPORTE
17	01.3158.00	CENTRAGGIO		CENTERING	CENTRAGE	ZENTRIER	CENTRAJE
18	01.3159.00	SOSTEGNO		SUPPORT	SUPPORT	SUPPORT	SOPORTE
19	01.3160.00	LEVA		LEVER	LEVIER	HEBEL	PALANCA
20	PMF-000060	DADO TENSILOCK	M12	SECURING NUT TENSILOCK	ECROU TENSILOCK	SICHERUNGSMUTTER TENSILOCK	CONTRATUERCA TENSILOCK
21	PMF-000040	VITE TENSILOCK	M10X25	SECURING SCREW TENSILOCK	VIS TENSILOCK	SCHRAUBE TENSILOCK	TORNILLO TENSILOCK
22	PMF-000412	COPIGLIA		SPRING CLIP	GOUPILLE ELASTIQUE	FEDERSPLINT	CHAVETA
23	PMF-000596	MANIGLIA		STRAP	MANILLE	HANDGRIFF	MANIJA
24	07.0043.00	PIASTRA D'ATTACCO COMPLETA		COMPLETE MOUNTING PLATE	PLAQUE COMPLETE	EINHAENGESCHILD KOMPLETT	PLACA DE MONTAJE COMPLETA



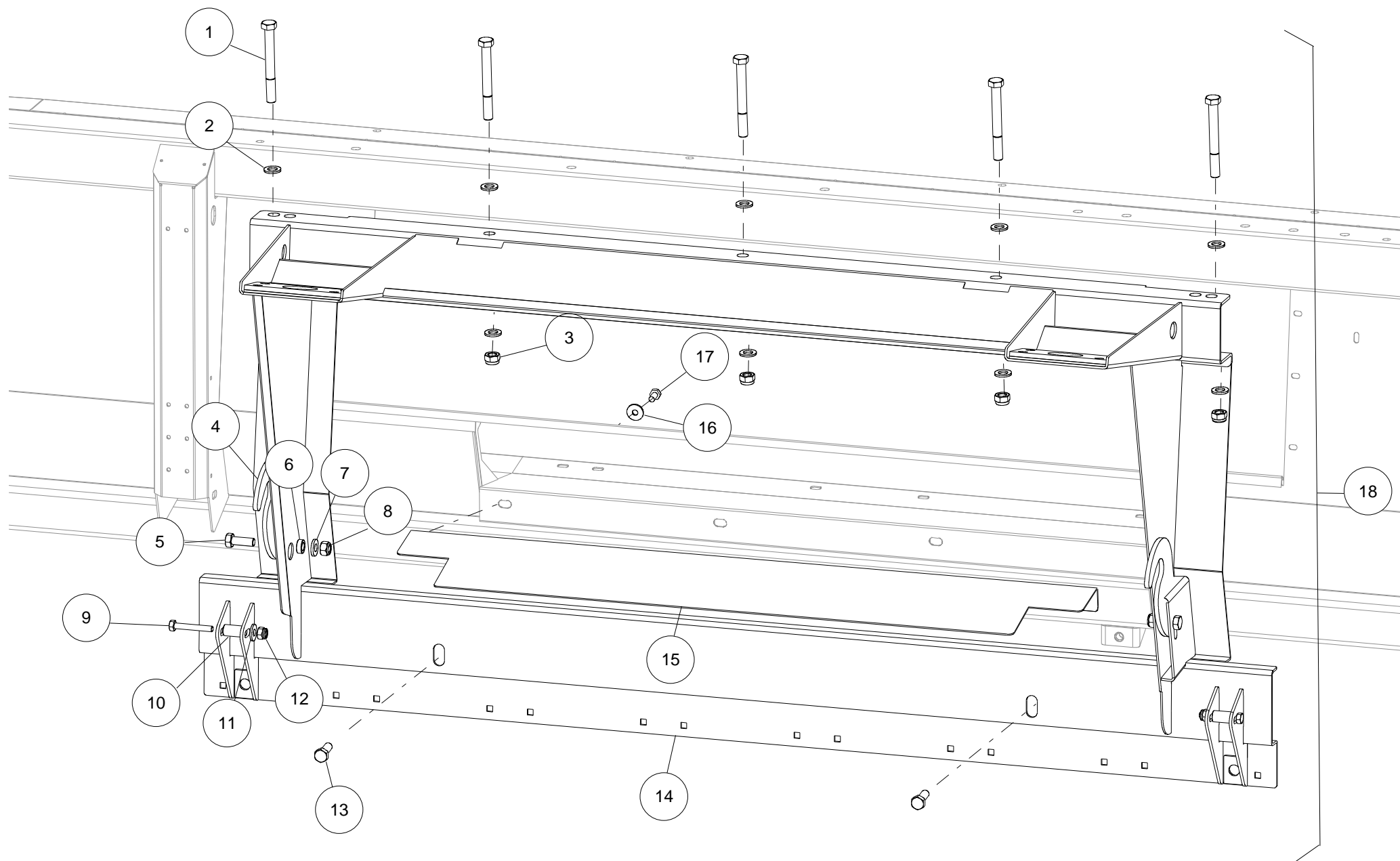
Pos	Code	Descrizione	Note	Description	Description	Beschreibung	Descripció
1	PMF-000196	VITE TE	M16X140	HEXAGONAL SCREW	VIS SIX PANS	SECHSKANTSCHRAUBE	TORNILLO
2	PMF-000437	RONDELLA	17X30X3	WASHER	RONDELLE	SCHEIBE	ARANDELLA
3	PMF-000052	DADO AUTOBLOCCANTE	M16	SECURING NUT	ECROU INDESSERRAB	SICHERUNGSMUTTER	CONTRATUERCA
4	01.3153.00	PIASTRA D'ATTACCO		MOUNTING PLATE	PLAQUE	EINHAENGESCHILD	PLACA DE MONTAJE
5	PMF-000334	VITE TBQS	M10X20	COACH SCREW	VIS A TETE BOMBEE	FLACHRUNDSCHRAUBE	TORNILLO
6	01.3154.00	RASAMENTO	RIGHT	STRIPPER KNIFE	LAME RACLEUSE	ABSTREIFMESSER	RASCADOR
6	01.3155.00	RASAMENTO	LEFT	STRIPPER KNIFE	LAME RACLEUSE	ABSTREIFMESSER	RASCADOR
7	PMF-000029	VITE TBQS	M10X25	COACH SCREW	VIS A TETE BOMBEE	FLACHRUNDSCHRAUBE	TORNILLO
8	PMF-000075	RONDELLA	10X30X2.5	WASHER	RONDELLE	SCHEIBE	ARANDELLA
9	01.3167.00	ONDA		PLATE	PLAQUE	PLATTE	PLACA
10	PMF-000012	DADO TENSILOCK	M10	SECURING NUT TENSILOCK	ECROU TENSILOCK	SICHERUNGSMUTTER TENSILOCK	CONTRATUERCA TENSILOCK
11	PMF-000412	COPIGLIA		SPRING CLIP	GOUPILLE ELASTIQUE	FEDERSPLINT	CHAVETA
12	PMF-000596	MANIGLIA		STRAP	MANILLE	HANDGRIFF	MANIJA
13	02.4520.00	RONDELLA	14X40X4	WASHER	RONDELLE	SCHEIBE	ARANDELLA
14	PMF-000091	VITE TE	M14X40	HEXAGONAL SCREW	VIS SIX PANS	SECHSKANTSCHRAUBE	TORNILLO
15	PMF-000042	VITE TENSILOCK	M12X30	SECURING SCREW TENSILOCK	VIS TENSILOCK	SCHRAUBE TENSILOCK	TORNILLO TENSILOCK
16	01.3157.00	SUPPORTO		SUPPORT	SUPPORT	ABSTUZUNG	SOPORTE
17	01.3158.00	CENTRAGGIO		CENTERING	CENTRAGE	ZENTRIER	CENTRAJE
18	01.3159.00	SOSTEGNO		SUPPORT	SUPPORT	SUPPORT	SOPORTE
19	01.3160.00	LEVA		LEVER	LEVIER	HEBEL	PALANCA
20	07.0076.00	PIASTRA D'ATTACCO COMPLETA		COMPLETE MOUNTING PLATE	PLAQUE COMPLETE	EINHAENGESCHILD KOMPLETT	PLACA DE MONTAJE COMPLETA
21	PMF-000040	VITE TENSILOCK	M10X25	SECURING SCREW TENSILOCK	VIS TENSILOCK	SCHRAUBE TENSILOCK	TORNILLO TENSILOCK



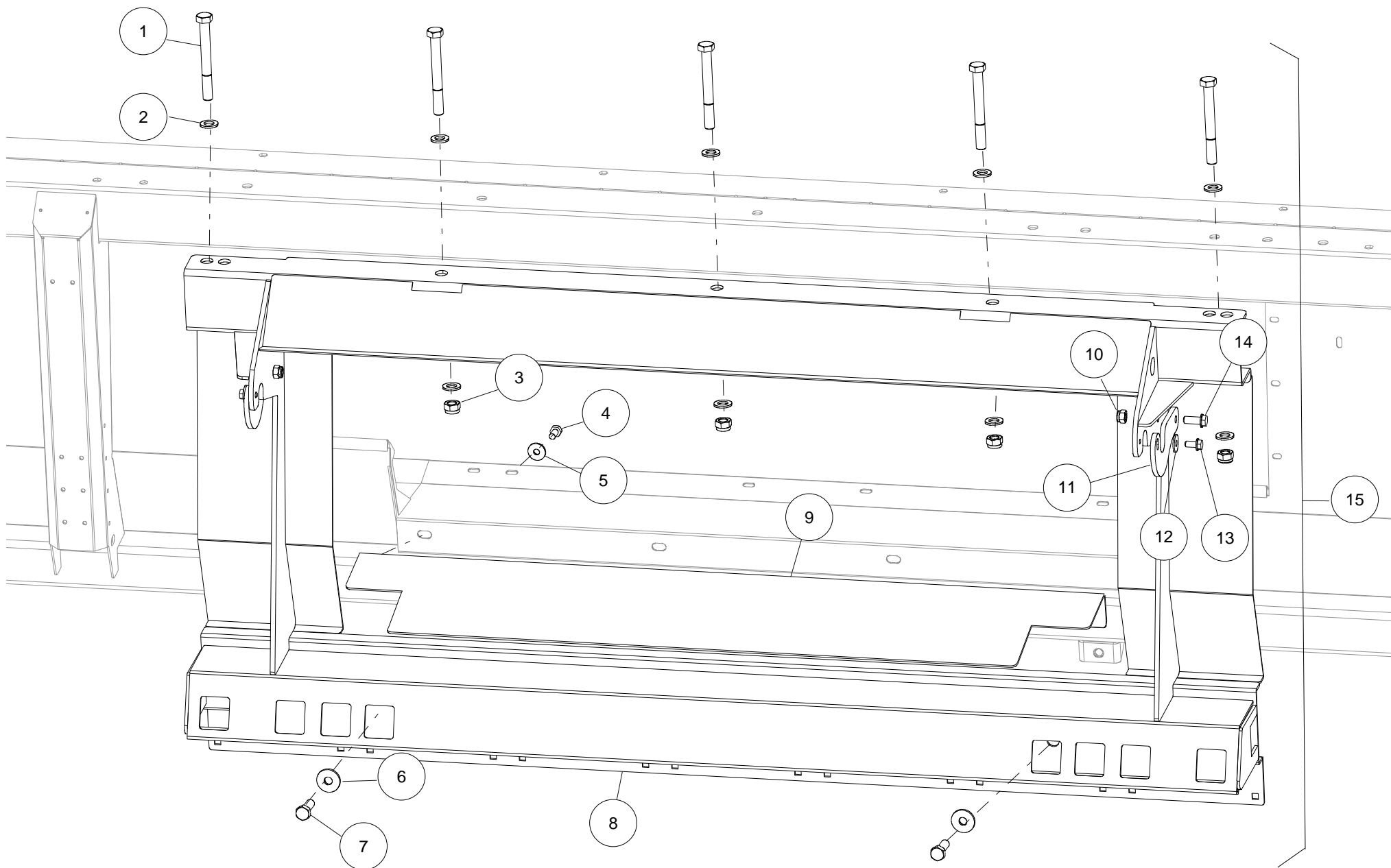
Pos	Code	Descrizione	Note	Description	Description	Beschreibung	Descripció
1	PMF-000196	VITE TE	M16X140	HEXAGONAL SCREW	VIS SIX PANS	SECHSKANTSCHRAUBE	TORNILLO
2	PMF-000437	RONDELLA	17X30X3	WASHER	RONDELLE	SCHEIBE	ARANDELLA
3	PMF-000052	DADO AUTOBLOCCANTE	M16	SECURING NUT	ECROU INDESSERRAB	SICHERUNGSMUTTER	CONTRATUERCA
4	01.3153.00	PIASTRA D'ATTACCO		MOUNTING PLATE	PLAQUE	EINHAENGESCHILD	PLACA DE MONTAJE
5	PMF-000334	VITE TBQS	M10X20	COACH SCREW	VIS A TETE BOMBEE	FLACHRUNDSCHRAUBE	TORNILLO
6	01.3154.00	RASAMENTO	RIGHT	STRIPPER KNIFE	LAME RACLEUSE	ABSTREIFMESSER	RASCADOR
6	01.3155.00	RASAMENTO	LEFT	STRIPPER KNIFE	LAME RACLEUSE	ABSTREIFMESSER	RASCADOR
7	PMF-000029	VITE TBQS	M10X25	COACH SCREW	VIS A TETE BOMBEE	FLACHRUNDSCHRAUBE	TORNILLO
8	PMF-000075	RONDELLA	10X30X2.5	WASHER	RONDELLE	SCHEIBE	ARANDELLA
9	01.3167.00	ONDA		PLATE	PLAQUE	PLATTE	PLACA
10	PMF-000012	DADO TENSILOCK	M10	SECURING NUT TENSILOCK	ECROU TENSILOCK	SICHERUNGSMUTTER TENSILOCK	CONTRATUERCA TENSILOCK
11	01.3170.00	PIASTRA		PLATE	PLAQUE	PLATTE	PLACA
12	02.4520.00	RONDELLA	14X40X4	WASHER	RONDELLE	SCHEIBE	ARANDELLA
13	PMF-000091	VITE TE	M14X40	HEXAGONAL SCREW	VIS SIX PANS	SECHSKANTSCHRAUBE	TORNILLO
14	PMF-000042	VITE TENSILOCK	M12X30	SECURING SCREW TENSILOCK	VIS TENSILOCK	SCHRAUBE TENSILOCK	TORNILLO TENSILOCK
15	01.3157.00	SUPPORTO		SUPPORT	SUPPORT	ABSTUZUNG	SOPORTE
16	01.3158.00	CENTRAGGIO		CENTERING	CENTRAGE	ZENTRIER	CENTRAJE
17	01.3159.00	SOSTEGNO		SUPPORT	SUPPORT	SUPPORT	SOPORTE
18	01.3160.00	LEVA		LEVER	LEVIER	HEBEL	PALANCA
19	PMF-000060	DADO TENSILOCK	M12	SECURING NUT TENSILOCK	ECROU TENSILOCK	SICHERUNGSMUTTER TENSILOCK	CONTRATUERCA TENSILOCK
20	PMF-000040	VITE TENSILOCK	M10X25	SECURING SCREW TENSILOCK	VIS TENSILOCK	SCHRAUBE TENSILOCK	TORNILLO TENSILOCK
21	PMF-000412	COPIGLIA		SPRING CLIP	GOUPILLE ELASTIQUE	FEDERSPLINT	CHAVETA
22	PMF-000596	MANIGLIA		STRAP	MANILLE	HANDGRIFF	MANIJA
23	07.0095.00	PIASTRA D'ATTACCO COMPLETA		COMPLETE MOUNTING PLATE	PLAQUE COMPLETE	EINHAENGESCHILD KOMPLETT	PLACA DE MONTAJE COMPLETA



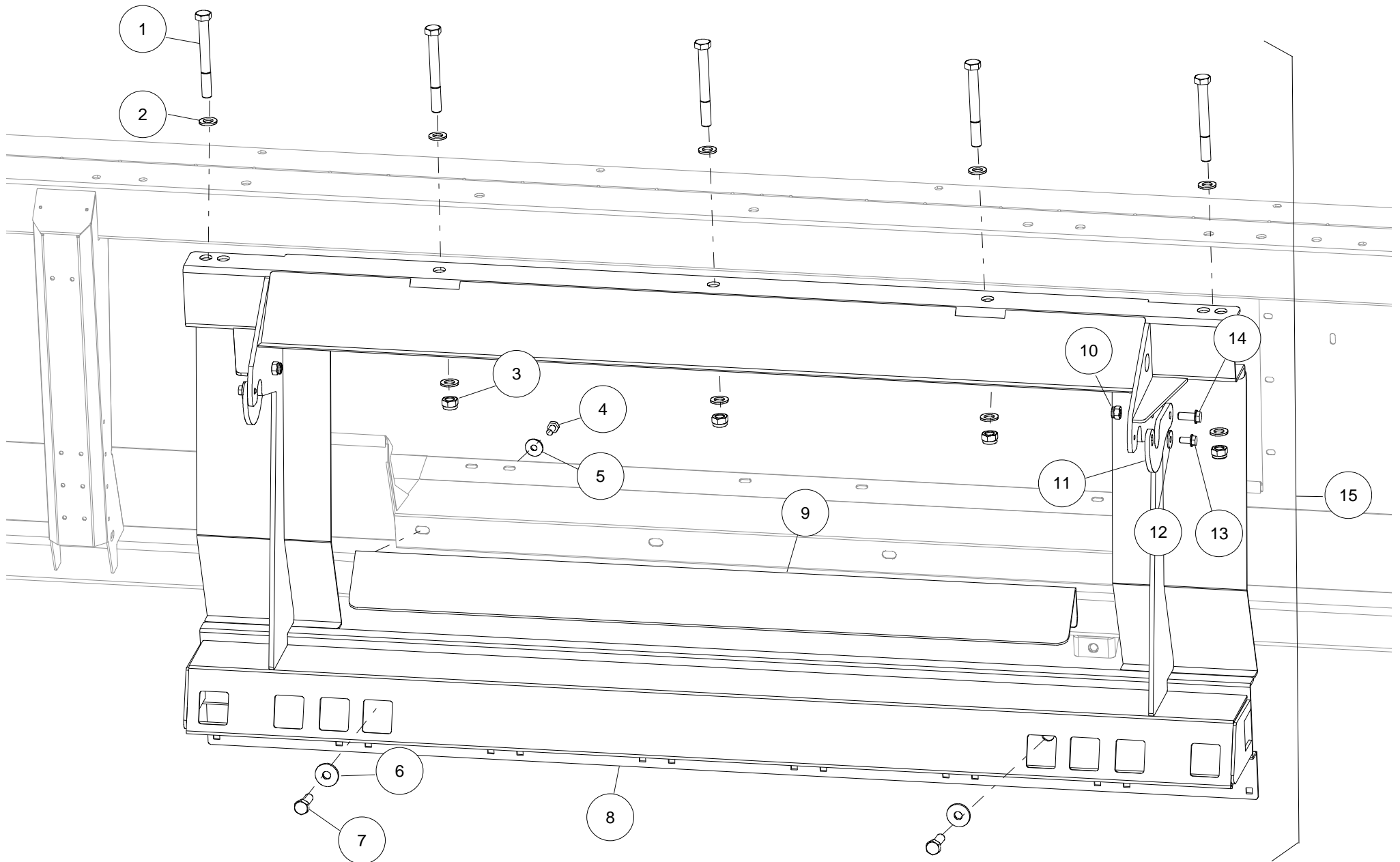
Pos	Code	Descrizione	Note	Description	Description	Beschreibung	Descripció
1	PMF-000196	VITE TE	M16X140	HEXAGONAL SCREW	VIS SIX PANS	SECHSKANTSCHRAUBE	TORNILLO
2	PMF-000437	RONDELLA	17X30X3	WASHER	RONDELLE	SCHEIBE	ARANDELLA
3	PMF-000052	DADO AUTOBLOCCANTE	M16	SECURING NUT	ECROU INDESSERRAB	SICHERUNGSMUTTER	CONTRATUERCA
4	01.3162.00	GANCIO		HOOK	CROCHET	VERSCHLUSSHAKEN	GANCHO
5	PMF-000091	VITE TE	M14X40	HEXAGONAL SCREW	VIS SIX PANS	SECHSKANTSCHRAUBE	TORNILLO
6	M1-50170	BOCCOLA		BUSHING	DOUILLE	BÜCHSE	HEVILLA
7	M1-10267	RONDELLA	14.5X30X4	WASHER	RONDELLE	SCHEIBE	ARANDELLA
8	PMF-000031	DADO AUTOBLOCCANTE	M14	SECURING NUT	ECROU INDESSERRAB	SICHERUNGSMUTTER	CONTRATUERCA
9	PMF-000538	VITE TE	M12X70	HEXAGONAL SCREW	VIS SIX PANS	SECHSKANTSCHRAUBE	TORNILLO
10	M1-50169	BOCCOLA		BUSHING	DOUILLE	BÜCHSE	HEVILLA
11	M1-80124	RONDELLA		WASHER	RONDELLE	SCHEIBE	ARANDELLA
12	PMF-000414	DADO AUTOBLOCCANTE	M12	SECURING NUT	ECROU INDESSERRAB	SICHERUNGSMUTTER	CONTRATUERCA
13	PMF-000349	VITE TSEI	M14X40	COUNTERSUNK BOLT	VIS A TETE FRAISEE	SENKSCHEIBE	TORNILLO
14	01.3175.00	PIASTRA D'ATTACCO		MOUNTING PLATE	PLAQUE	EINHAENGESCHILD	PLACA DE MONTAJE
15	01.3163.00	ONDA		PLATE	PLAQUE	PLATTE	PLACA
16	PMF-000075	RONDELLA	10X30X2.5	WASHER	RONDELLE	SCHEIBE	ARANDELLA
17	PMF-000134	VITE TE	M10X20	HEXAGONAL SCREW	VIS SIX PANS	SECHSKANTSCHRAUBE	TORNILLO
18	07.0078.00	PIASTRA D'ATTACCO COMPLETA		COMPLETE MOUNTING PLATE	PLAQUE COMPLETE	EINHAENGESCHILD KOMPLETT	PLACA DE MONTAJE COMPLETA



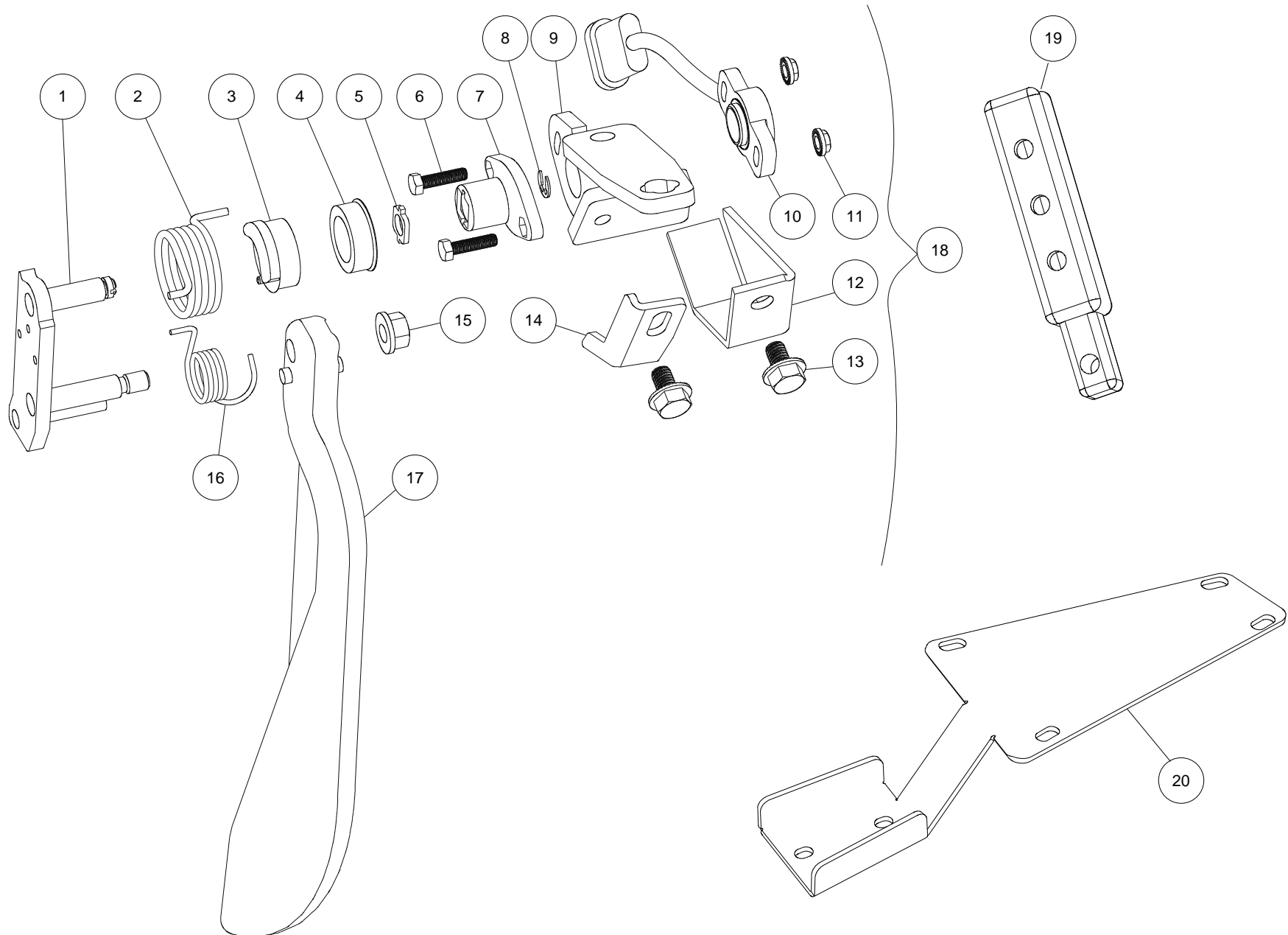
Pos	Code	Descrizione	Note	Description	Description	Beschreibung	Descripció
1	PMF-000196	VITE TE	M16X140	HEXAGONAL SCREW	VIS SIX PANS	SECHSKANTSCHRAUBE	TORNILLO
2	PMF-000437	RONDELLA	17X30X3	WASHER	RONDELLE	SCHEIBE	ARANDELLA
3	PMF-000052	DADO AUTOBLOCCANTE	M16	SECURING NUT	ECROU INDESSERRAB	SICHERUNGSMUTTER	CONTRATUERCA
4	01.3162.00	GANCIO		HOOK	CROCHET	VERSCHLUSSHAKEN	GANCHO
5	PMF-000091	VITE TE	M14X40	HEXAGONAL SCREW	VIS SIX PANS	SECHSKANTSCHRAUBE	TORNILLO
6	M1-50170	BOCCOLA		BUSHING	DOUILLE	BÜCHSE	HEVILLA
7	M1-10267	RONDELLA	14.5X30X4	WASHER	RONDELLE	SCHEIBE	ARANDELLA
8	PMF-000031	DADO AUTOBLOCCANTE	M14	SECURING NUT	ECROU INDESSERRAB	SICHERUNGSMUTTER	CONTRATUERCA
9	PMF-000538	VITE TE	M12X70	HEXAGONAL SCREW	VIS SIX PANS	SECHSKANTSCHRAUBE	TORNILLO
10	M1-50169	BOCCOLA		BUSHING	DOUILLE	BÜCHSE	HEVILLA
11	M1-80124	RONDELLA		WASHER	RONDELLE	SCHEIBE	ARANDELLA
12	PMF-000414	DADO AUTOBLOCCANTE	M12	SECURING NUT	ECROU INDESSERRAB	SICHERUNGSMUTTER	CONTRATUERCA
13	PMF-000349	VITE TSEI	M14X40	COUNTERSUNK BOLT	VIS A TETE FRAISEE	SENKSCRAUBE	TORNILLO
14	01.3175.00	PIASTRA D'ATTACCO		MOUNTING PLATE	PLAQUE	EINHAENGESCHILD	PLACA DE MONTAJE
15	01.3164.00	ONDA		PLATE	PLAQUE	PLATTE	PLACA
16	PMF-000075	RONDELLA	10X30X2.5	WASHER	RONDELLE	SCHEIBE	ARANDELLA
17	PMF-000134	VITE TE	M10X20	HEXAGONAL SCREW	VIS SIX PANS	SECHSKANTSCHRAUBE	TORNILLO
18	07.0077.00	PIASTRA D'ATTACCO COMPLETA		COMPLETE MOUNTING PLATE	PLAQUE COMPLETE	EINHAENGESCHILD KOMPLETT	PLACA DE MONTAJE COMPLETA



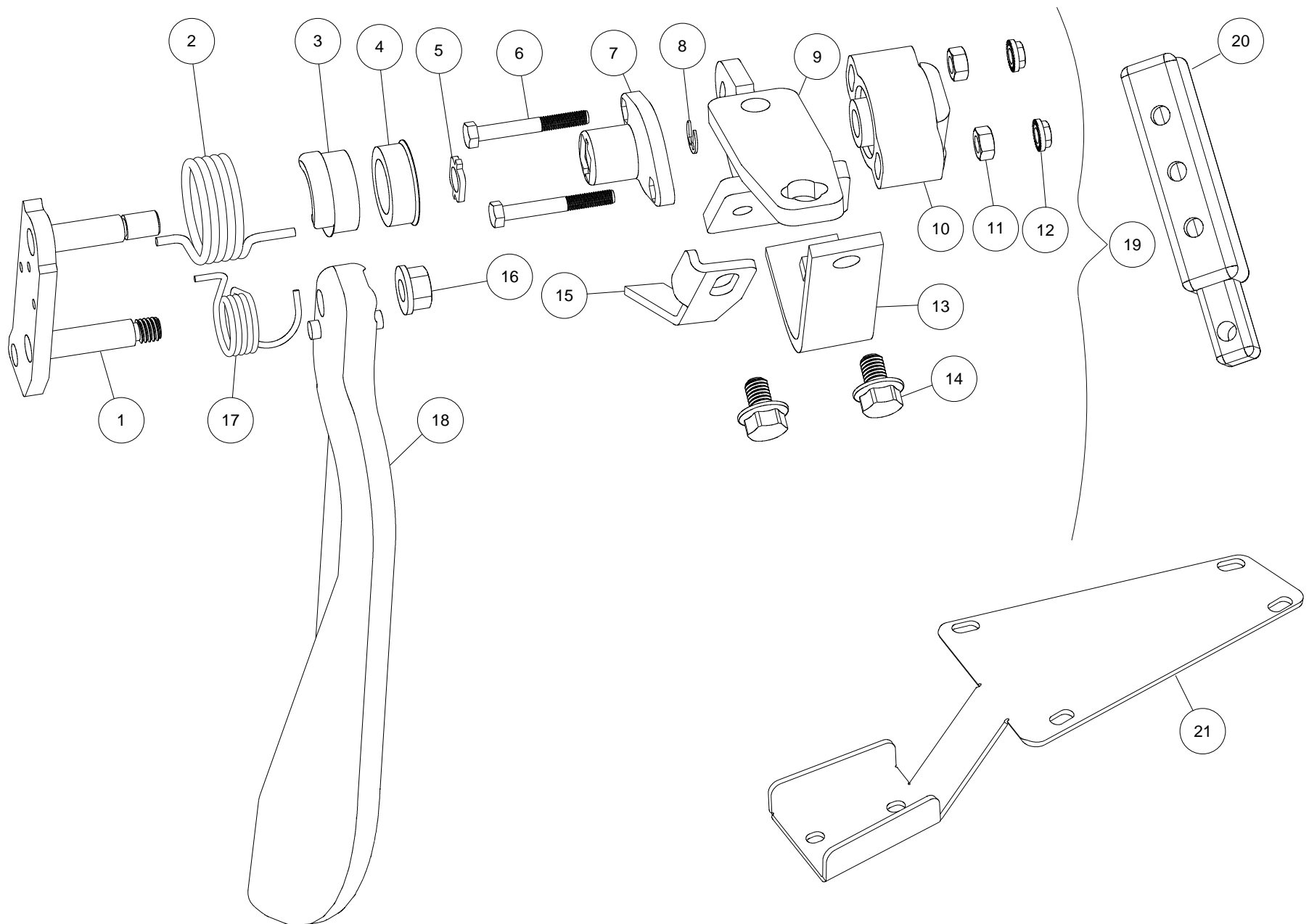
Pos	Code	Descrizione	Note	Description	Description	Beschreibung	Descripció
1	PMF-000196	VITE TE	M16X140	HEXAGONAL SCREW	VIS SIX PANS	SECHSKANTSCHRAUBE	TORNILLO
2	PMF-000437	RONDELLA	17X30X3	WASHER	RONDELLE	SCHEIBE	ARANDELLA
3	PMF-000052	DADO AUTOBLOCCANTE	M16	SECURING NUT	ECROU INDESSERRAB	SICHERUNGSMUTTER	CONTRATUERCA
4	PMF-000134	VITE TE	M10X20	HEXAGONAL SCREW	VIS SIX PANS	SECHSKANTSCHRAUBE	TORNILLO
5	PMF-000075	RONDELLA	10X30X2.5	WASHER	RONDELLE	SCHEIBE	ARANDELLA
6	02.4520.00	RONDELLA	14X40X4	WASHER	RONDELLE	SCHEIBE	ARANDELLA
7	PMF-000091	VITE TE	M14X40	HEXAGONAL SCREW	VIS SIX PANS	SECHSKANTSCHRAUBE	TORNILLO
8	01.3165.00	PIASTRA D'ATTACCO		MOUNTING PLATE	PLAQUE	EINHAENGESCHILD	PLACA DE MONTAJE
9	01.3166.00	ONDA		PLATE	PLAQUE	PLATTE	PLACA
10	PMF-000414	DADO AUTOBLOCCANTE	M12	SECURING NUT	ECROU INDESSERRAB	SICHERUNGSMUTTER	CONTRATUERCA
11	01.3156.00	FERMO		BLOCK	BLOC	BLOCK	BLOQUE
12	PMF-000075	RONDELLA	10X30X2.5	WASHER	RONDELLE	SCHEIBE	ARANDELLA
13	PMF-000064	VITE TENSILOCK	M10X20	SCREW TENSILOCK	VIS TENSILOCK	SCHRAUBE TENSILOCK	TORNILLO TENSILOCK
14	PMF-000042	VITE TENSILOCK	M12X30	SECURING SCREW TENSILOCK	VIS TENSILOCK	SCHRAUBE TENSILOCK	TORNILLO TENSILOCK
15	07.0054.00	PIASTRA D'ATTACCO COMPLETA		COMPLETE MOUNTING PLATE	PLAQUE COMPLETE	EINHAENGESCHILD KOMPLETT	PLACA DE MONTAJE COMPLETA



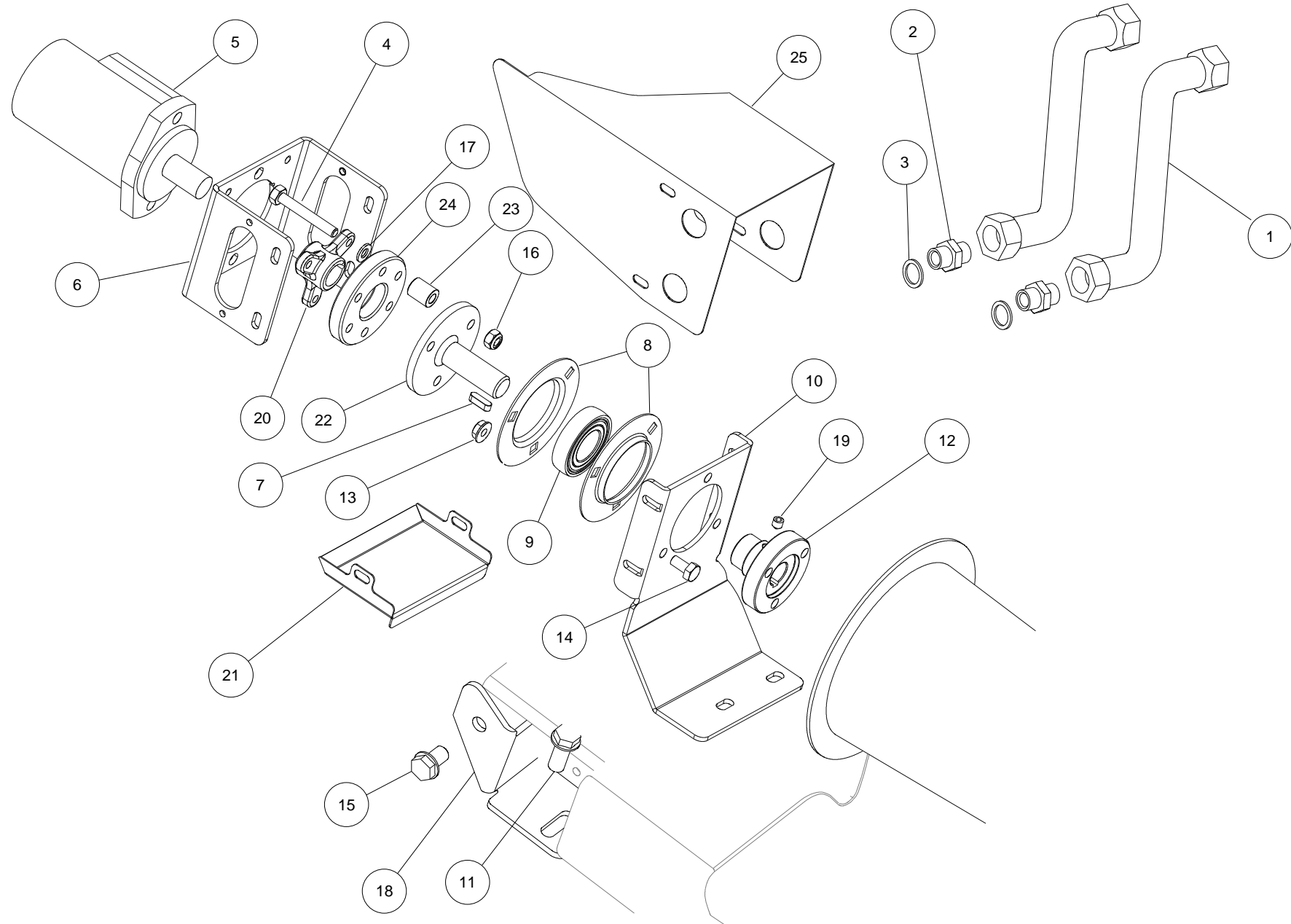
Pos	Code	Descrizione	Note	Description	Description	Beschreibung	Descripció
1	PMF-000196	VITE TE	M16X140	HEXAGONAL SCREW	VIS SIX PANS	SECHSKANTSCHRAUBE	TORNILLO
2	PMF-000437	RONDELLA	17X30X3	WASHER	RONDELLE	SCHEIBE	ARANDELLA
3	PMF-000052	DADO AUTOBLOCCANTE	M16	SECURING NUT	ECROU INDESSERRAB	SICHERUNGSMUTTER	CONTRATUERCA
4	PMF-000134	VITE TE	M10X20	HEXAGONAL SCREW	VIS SIX PANS	SECHSKANTSCHRAUBE	TORNILLO
5	PMF-000075	RONDELLA	10X30X2.5	WASHER	RONDELLE	SCHEIBE	ARANDELLA
6	PMF-000091	VITE TE	M14X40	HEXAGONAL SCREW	VIS SIX PANS	SECHSKANTSCHRAUBE	TORNILLO
7	02.4520.00	RONDELLA	14X40X4	WASHER	RONDELLE	SCHEIBE	ARANDELLA
8	01.3168.00	PIASTRA D'ATTACCO		MOUNTING PLATE	PLAQUE	EINHAENGESCHILD	PLACA DE MONTAJE
9	01.3169.00	ONDA		PLATE	PLAQUE	PLATTE	PLACA
10	PMF-000414	DADO AUTOBLOCCANTE	M12	SECURING NUT	ECROU INDESSERRAB	SICHERUNGSMUTTER	CONTRATUERCA
11	01.3156.00	FERMO		BLOCK	BLOC	BLOCK	BLOQUE
12	PMF-000075	RONDELLA	10X30X2.5	WASHER	RONDELLE	SCHEIBE	ARANDELLA
13	PMF-000064	VITE TENSILOCK	M10X20	SCREW TENSILOCK	VIS TENSILOCK	SCHRAUBE TENSILOCK	TORNILLO TENSILOCK
14	PMF-000042	VITE TENSILOCK	M12X30	SECURING SCREW TENSILOCK	VIS TENSILOCK	SCHRAUBE TENSILOCK	TORNILLO TENSILOCK
15	07.0053.00	PIASTRA D'ATTACCO COMPLETA		COMPLETE MOUNTING PLATE	PLAQUE COMPLETE	EINHAENGESCHILD KOMPLETT	PLACA DE MONTAJE COMPLETA



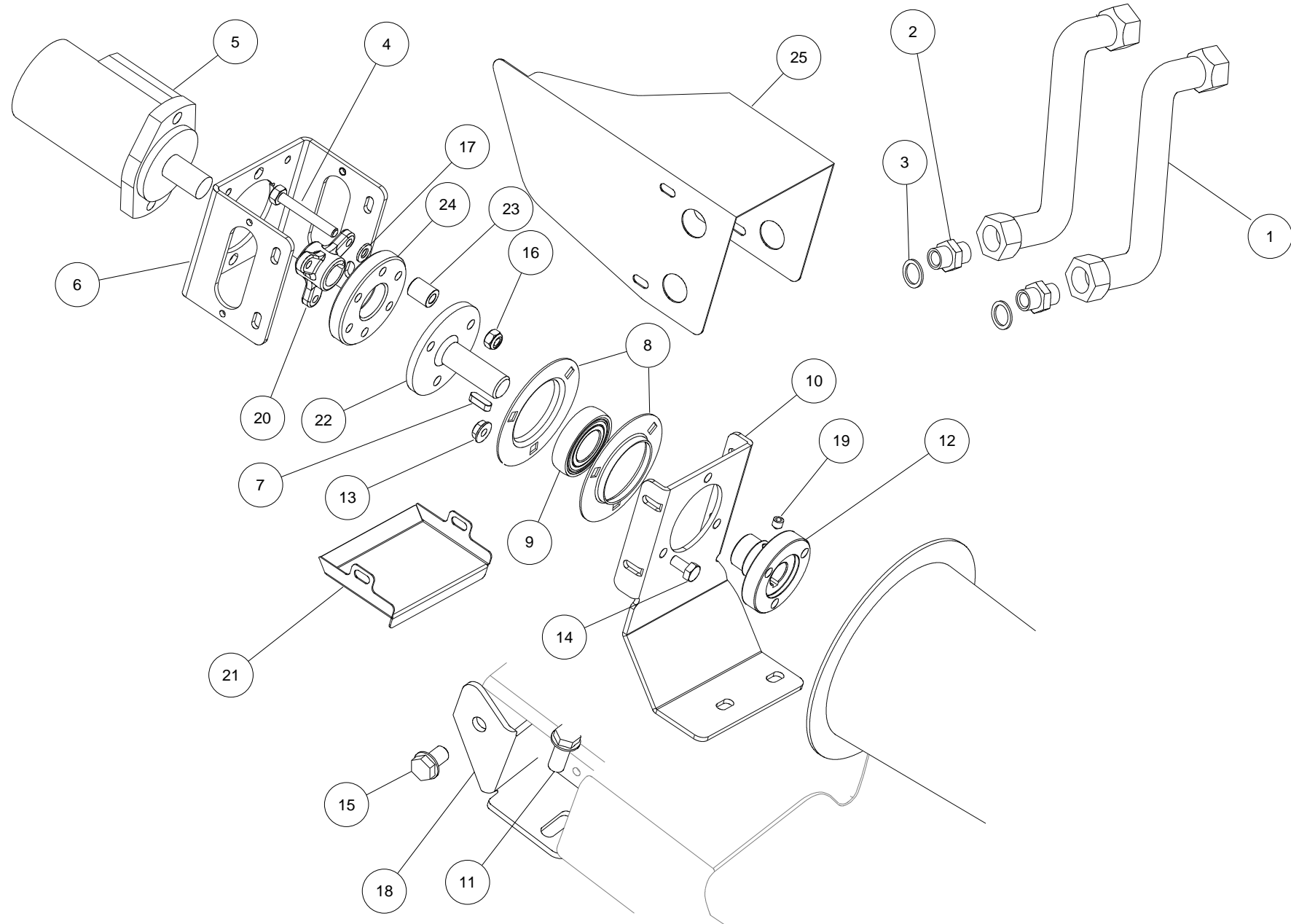
Pos	Code	Descrizione	Note	Description	Description	Beschreibung	Descripción
1	PE-000133	PIASTRA		PLATE	PLAQUE	PLATTE	PLACA
2	PE-000131	MOLLA		COMPRESS SPRING	RESSORT	DRUCKFEDER	MUELLE
3	PE-000132	BOCCOLA		BUSHING	DOUILLE	BÜCHSE	HEVILLA
4	PE-000134	BOCCOLA		BUSHING	DOUILLE	BÜCHSE	HEVILLA
5	PE-000135	GUARNIZIONE		SEAL	ETOUPAGE	DICHTUNG	JUNTA
6	PMF-000612	VITE TE	M5X20	HEXAGONAL SCREW	VIS SIX PANS	SECHSKANTSCHRAUBE	TORNILLO
7	PE-000136	BOCCOLA		BUSHING	DOUILLE	BÜCHSE	HEVILLA
8	PMF-000619	ANELLO ELASTICO	E6X0.7	CIRCLIP	CIRCLIP	SICHERUNGSRING	ANILLO ELASTICO
9	PE-000138	STAFFA		BRACKET	SUPPORT	BUEGEL	SOPORTE
10	PE-000139	POTENZIOMETRO		POTENTIOMETER	POTENTIOMETRE	DREHPOTENTIOMETER	POTENCIOMETRO
11	PMF-000613	DADO TENSILOCK	M5	SECURING NUT TENSILOCK	ECROU TENSILOCK	SICHERUNGSMUTTER TENSILOCK	CONTRATUERCA TENSILOCK
12	PE-000140	STAFFA		BRACKET	SUPPORT	BUEGEL	SOPORTE
13	PMF-000614	VITE TENSILOCK	M8X12	SCREW TENSILOCK	VIS TENSILOCK	SCHRAUBE TENSILOCK	TORNILLO TENSILOCK
14	PE-000141	STAFFA		BRACKET	SUPPORT	BUEGEL	SOPORTE
15	PMF-000615	DADO TENSILOCK	5/16-18	SECURING NUT TENSILOCK	ECROU TENSILOCK	SICHERUNGSMUTTER TENSILOCK	CONTRATUERCA TENSILOCK
16	PE-000142	MOLLA		COMPRESS SPRING	RESSORT	DRUCKFEDER	MUELLE
17	PE-000144	TASTATORE		ARM	BRAS	AUSLEGER	BRAZO
18	PE-000071	TASTATORE COMPLETO	BLACK	COMPLETE HEAD SENSOR	PALPEUR COMPLÈTE	KOPF SENSOR KOMPLETT	PALPADOR COMPLETO
19	PE-000160	PROLUNGA		EXTENSION	EXTENSION	ERWEITERUNG	AMPLIACIÓN
20	01.2288.00	SUPPORTO		SUPPORT	SUPPORT	ABSTUZZUNG	SOPORTE



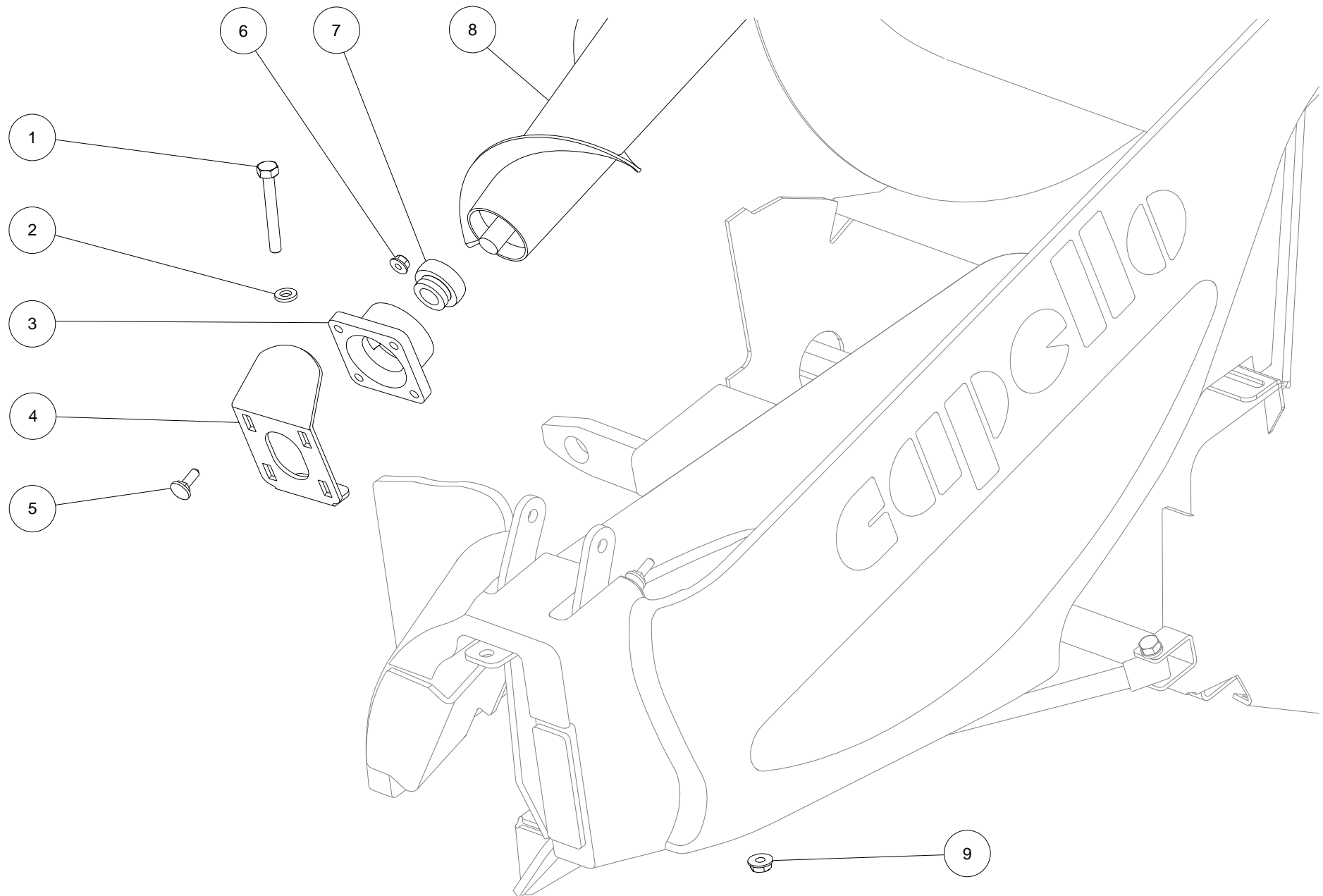
Pos	Code	Descrizione	Note	Description	Description	Beschreibung	Descripción
1	PE-000130	PIASTRA		PLATE	PLAQUE	PLATTE	PLACA
2	PE-000131	MOLLA		COMPRESS SPRING	RESSORT	DRUCKFEDER	MUELLE
3	PE-000132	BOCCOLA		BUSHING	DOUILLE	BÜCHSE	HEVILLA
4	PE-000134	BOCCOLA		BUSHING	DOUILLE	BÜCHSE	HEVILLA
5	PE-000135	GUARNIZIONE		SEAL	ETOUPAGE	DICHTUNG	JUNTA
6	PMF-000618	VITE TE	M5X40	HEXAGONAL SCREW	VIS SIX PANS	SECHSKANTSCHRAUBE	TORNILLO
7	PE-000136	BOCCOLA		BUSHING	DOUILLE	BÜCHSE	HEVILLA
8	PMF-000619	ANELLO ELASTICO	E6X0.7	CIRCLIP	CIRCLIP	SICHERUNGSRING	ANILLO ELASTICO
9	PE-000146	STAFFA		BRACKET	SUPPORT	BUEGEL	SOPORTE
10	PE-000147	POTENZIOMETRO		POTENTIOMETER	POTENTIOMETRE	DREHPOTENTIOMETER	POTENCIOMETRO
11	PMF-000427	DADO	M6	HEXAGONAL NUT	ECROU SIX PANS	SICHERUNGSMUTTER	CONTRATUERCA
12	PMF-000613	DADO TENSILOCK	M5	SECURING NUT TENSILOCK	ECROU TENSILOCK	SICHERUNGSMUTTER TENSILOCK	CONTRATUERCA TENSILOCK
13	PE-000148	STAFFA		BRACKET	SUPPORT	BUEGEL	SOPORTE
14	PMF-000614	VITE TENSILOCK	M8X12	SCREW TENSILOCK	VIS TENSILOCK	SCHRAUBE TENSILOCK	TORNILLO TENSILOCK
15	PE-000149	STAFFA		BRACKET	SUPPORT	BUEGEL	SOPORTE
16	PMF-000615	DADO TENSILOCK	5/16-18	SECURING NUT TENSILOCK	ECROU TENSILOCK	SICHERUNGSMUTTER TENSILOCK	CONTRATUERCA TENSILOCK
17	PE-000142	MOLLA		COMPRESS SPRING	RESSORT	DRUCKFEDER	MUELLE
18	PE-000145	TASTATORE		ARM	BRAS	AUSLEGER	BRAZO
19	PE-000072	TASTATORE COMPLETO	YELLOW	COMPLETE HEAD SENSOR	PALPEUR COMPLÈTE	KOPF SENSOR KOMPLETT	PALPADOR COMPLETO
20	PE-000160	PROLUNGA		EXTENSION	EXTENSION	ERWEITERUNG	AMPLIACIÓN
21	01.2288.00	SUPPORTO	RIGHT	SUPPORT	SUPPORT	ABSTUZUNG	SOPORTE



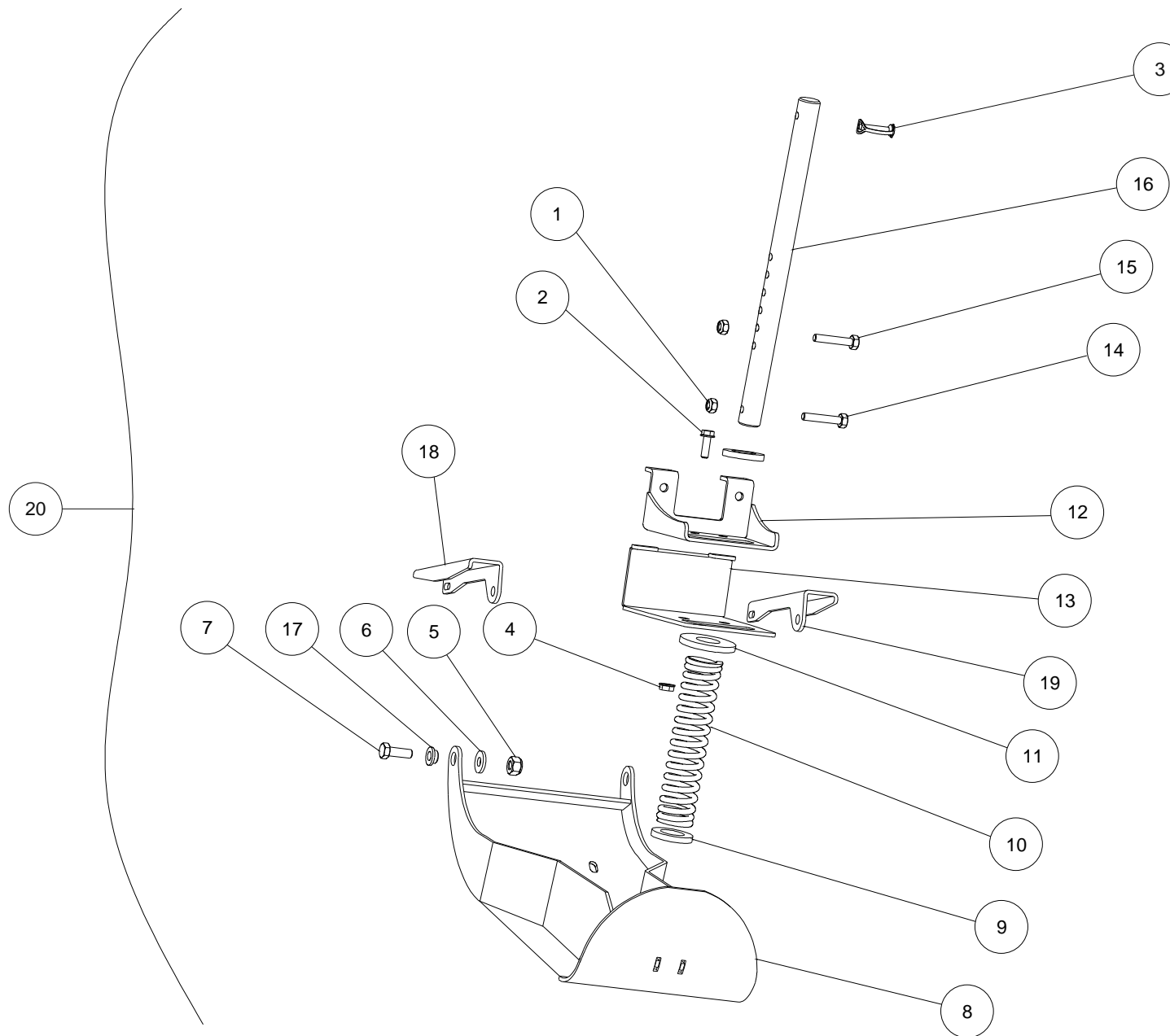
Pos	Code	Descrizione	Note	Description	Description	Beschreibung	Descripcìon
1	03.4370.00	TUBO FLESSIBILE		HYDRAULIC PIPE	TUBE FLEXIBLE	SCHLAUCH	TUBO
2	PO-000128	RACCORDO	1/2"-1/2"	CONNECTOR	RACCORD	ANSCHLUSSSTUTZEN	RACOR
3	PO-000032	GUARNIZIONE BONDED	1/2"	SEAL FOR TAP GAS	JOINT POUR FILET GAZ	DICHTUNG	ARANDELLA
4	PMF-000071	VITE TE	M10X60	HEXAGONAL SCREW	VIS SIX PANS	SECHSKANTSCHRAUBE	TORNILLO
5	03.4067.00	MOTORE IDRAULICO		HIDROSTATIC MOTOR	MOTEUR HYDRAULIQUE	HYDRAULIKMOTOR	MOTOR HIDRAULICO
6	05.5071.01	SUPPORTO		SUPPORT	SOPORTE	ABSTUZUNG	SOPORTE
7	PMT-000034	LINGUETTA	8X7X25	KNOTTER TONGUE	LANGUETTE	KNOTERERZUNGE	LENGUETA
8	PMS-000068	FLANGIA		FLANGE	BRIDE	FLANSCH	PLACA
9	PMS-000065	CUSCINETTO A SFERE		BALL BEARING	ROULEMENT A BILLES	KUGELLAGER	RODAMIENTO DE BOLAS
10	05.5072.00	FLANGIA DESTRA		RIGHTFLANGE	BRIDE DROITE	FLANSCH RECHTS	PLACA DERECHA
10	05.5073.00	FLANGIA SINISTRA		LEFT FLANGE	BRIDE GAUCHE	FLANSCH LINKS	PLACA IZQUIERDA
11	PMF-000043	VITE TENSILOCK	M10X30	SECURING SCREW TENSILOCK	VIS TENSILOCK	SCHRAUBE TENSILOCK	TORNILLO TENSILOCK
12	05.5069.01	MOZZO DI TRASMISSIONE		HUB	MOYEU	NABE	CUBO
13	PMF-000012	DADO TENSILOCK	M10	SECURING NUT TENSILOCK	ECROU TENSILOCK	SICHERUNGSMUTTER TENSILOCK	CONTRATUERCA TENSILOCK
14	PMF-000134	VITE TE	M10X20	HEXAGONAL SCREW	VIS SIX PANS	SECHSKANTSCHRAUBE	TORNILLO
15	PMF-000253	VITE TBQS	M12X30	COACH SCREW	VIS A TETE BOMBEE	FLACHRUNDSCHRAUBE	TORNILLO
16	PMF-000068	DADO AUTOBLOCCANTE	M10	SECURING NUT	ECROU INDESSERRAB	SICHERUNGSMUTTER	CONTRATUERCA
17	PMF-000105	RONDELLA	10X20X2	WASHER	RONDELLE	SCHEIBE	ARANDELLA
18	05.5074.00	STAFFA		BRACKET	SUPPORT	BUEGEL	SOPORTE
19	PMF-000211	VITE STEI	M10X10	GRUB SCREW	GOUPILLE	NUT	TORNILLO
20	M1-90140	FLANGIA		FLANGE	BRIDE	FLANSCH	PLACA
21	01.3552.00	PIASTRA		PLATE	PLAQUE	PLATTE	PLACA
22	01.3533.00	FLANGIA		FLANGE	BRIDE	FLANSCH	PLACA
23	M1-90139	BOCCOLA		BUSHING	DOUILLE	BÜCHSE	HEVILLA
24	PMT-000324	SMORZATORE		DRIVE SHAFT COUPLING	DAMPER	ANTRIEBSGELENKSCHIEBE	ACOPLAMIENTO
25	01.3537.00	CARTER DESTRO		RIGHT GUARD	GARANT DROITE	CARTER RECHTS	CARTER DERECHO



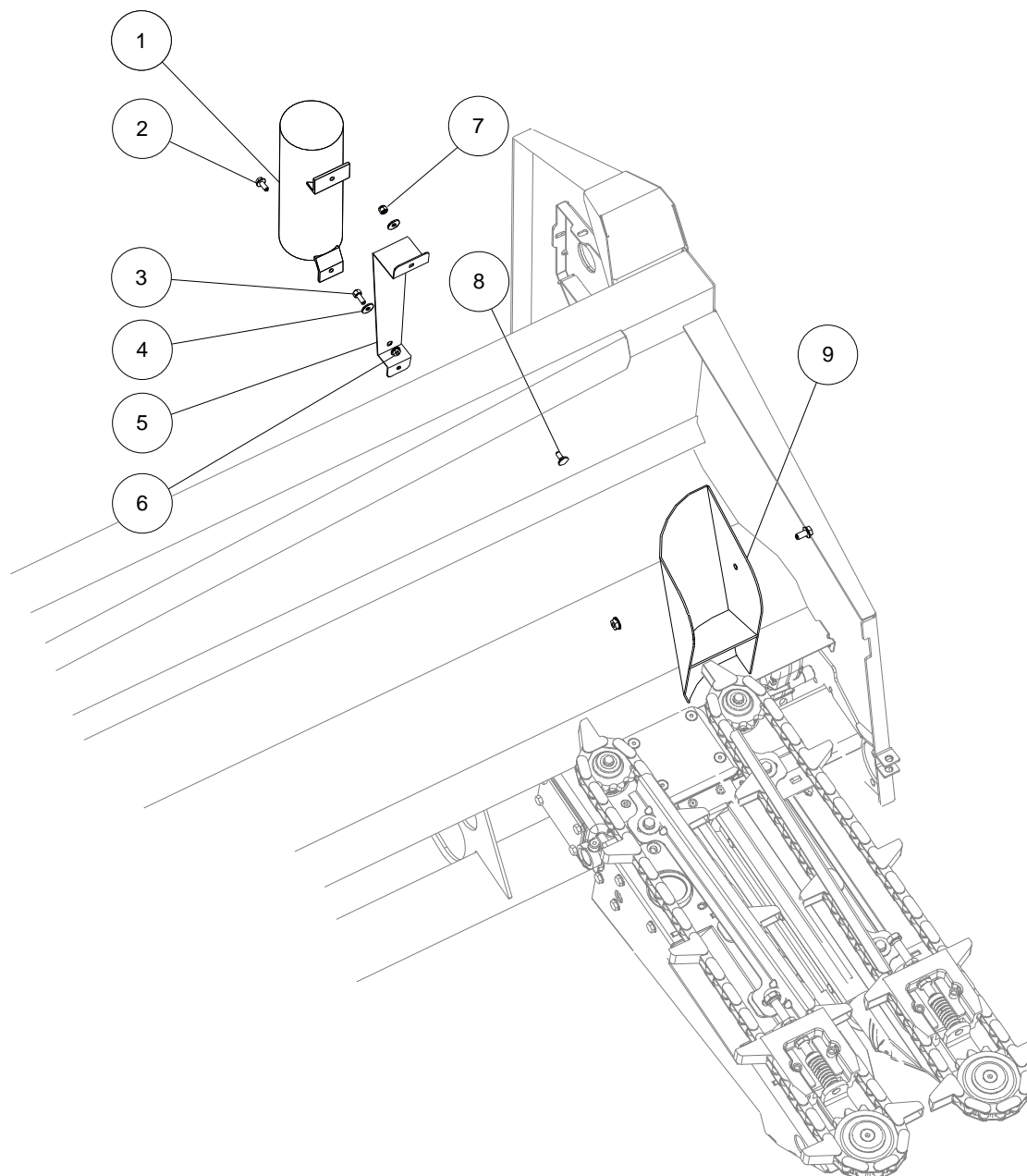
Pos	Code	Descrizione	Note	Description	Description	Beschreibung	Descripcìon
25	01.3545.00	CARTER SINISTRO		LEFT CARTER	CARTER GAUCHE	CARTER LINKS	CARTER IZQUIERDO



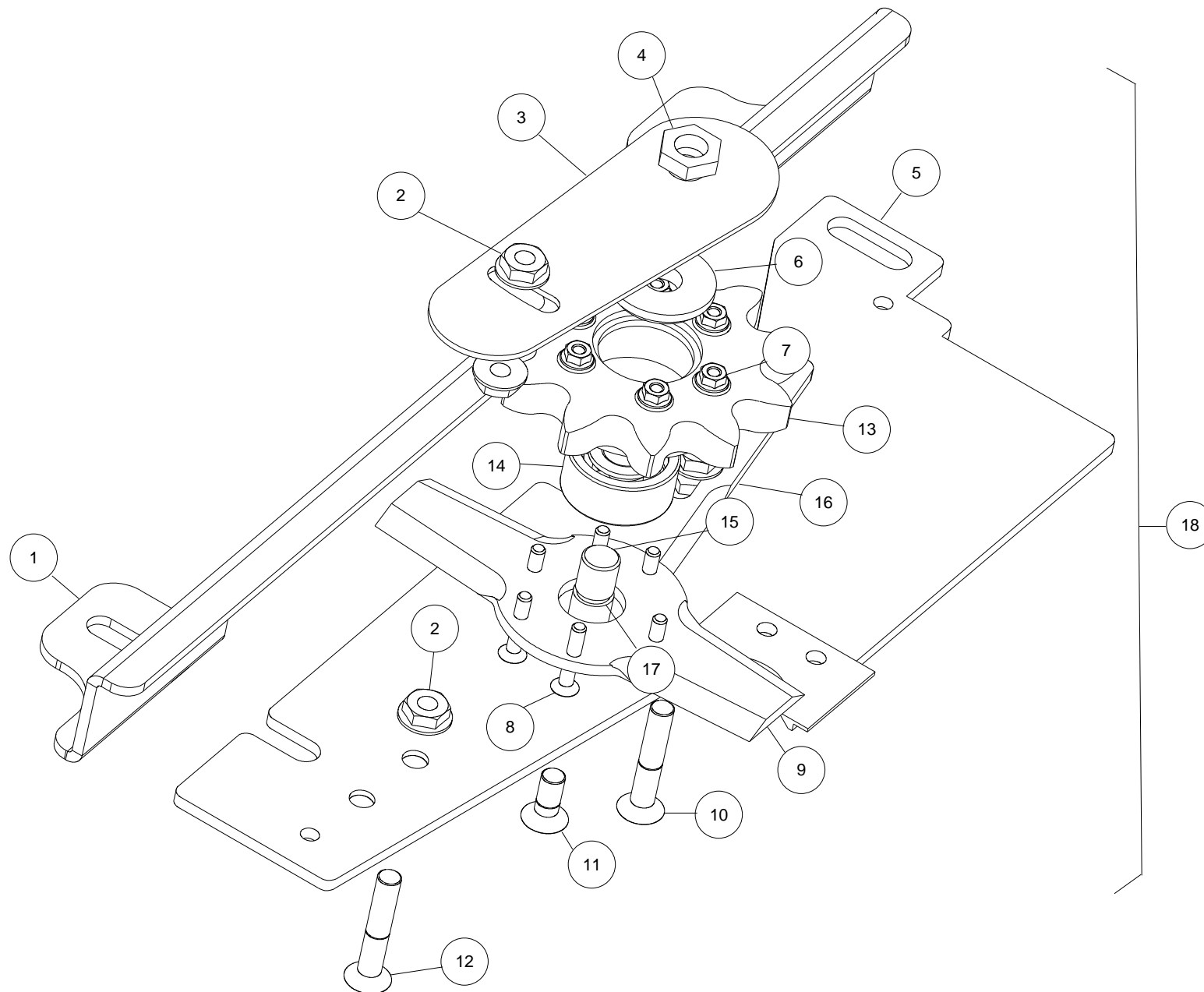
Pos	Code	Descrizione	Note	Description	Description	Beschreibung	Descripción
1	02.1062.00	VITE TE	M10X70	HEXAGONAL SCREW	VIS SIX PANS	SECHSKANTSCHRAUBE	TORNILLO
2	PMF-000105	RONDELLA	10.5X20X2	WASHER	RONDELLE	SCHEIBE	ARANDELLA
3	02.2410.00	SUPPORTO CUSCINETTO		SUPPORT BEARING	SUPPORT ROULEMENT	BUGELHALTER PENDELKUGELLAGER	SOPORTE COJINETTE
4	01.1090.00	SUPPORTO		SUPPORT	SUPPORT	ABSTUZUNG	SOPORTE
5	PMF-000216	VITE TBQS	M8X25	COACH SCREW	VIS A TETE BOMBEE	FLACHRUNDSCHRAUBE	TORNILLO
6	PMF-000016	DADO TENSILOCK	M8	SECURING NUT TENSILOCK	ECROU TENSILOCK	SICHERUNGSMUTTER TENSILOCK	CONTRATUERCA TENSILOCK
7	02.2415.00	CUSCINETTO A SFERE		BALL BEARING	ROULEMENT A BILLES	KUGELLAGER	RODAMIENTO DE BOLAS
8	03.4380.00	COCLEA DESTRA		RIGHT AUGER	VIS SANS FIN DROITE	SCHNECKE RECHTS	SINFIN DERECHA
8	03.4385.00	COCLEA SINISTRA		LEFT AUGER	VIS D'ALIMENTATION GAUCHE	SCHNECKE LINKS	SINFIN IZQUIERDA
9	PMF-000068	DADO AUTOBLOCCANTE	M10	SECURING NUT	ECROU INDESSERRAB	SICHERUNGSMUTTER	CONTRATUERCA



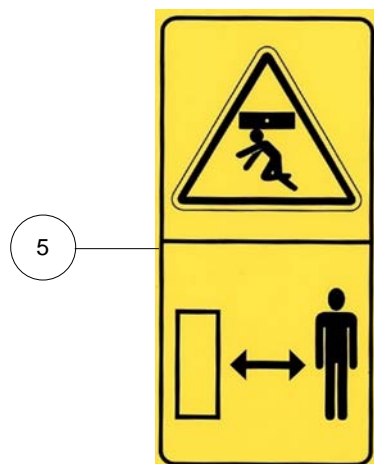
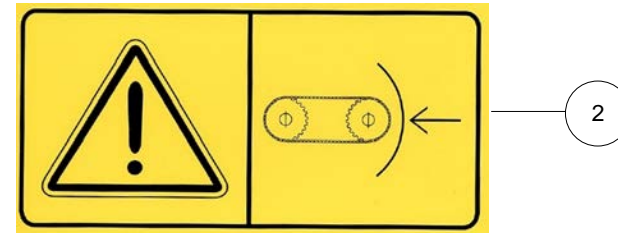
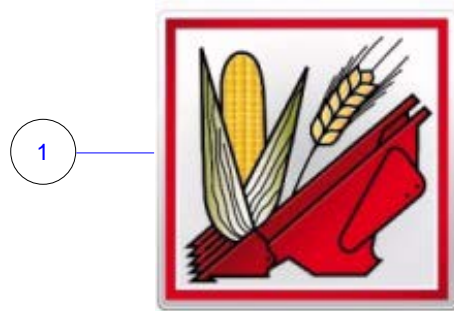
Pos	Code	Descrizione	Note	Description	Description	Beschreibung	Descripcìon
1	PMF-000068	DADO AUTOBLOCCANTE	M10	SECURING NUT	ECROU INDESSERRAB	SICHERUNGSMUTTER	CONTRATUERCA
2	PMF-000040	VITE TENSILOCK	M10X25	SECURING SCREW TENSILOCK	VIS TENSILOCK	SCHRAUBE TENSILOCK	TORNILLO TENSILOCK
3	PMF-000066	SPINA PER MOTOZZAPPA		FOLD PIN	GROUPELLE D'ARRET	KLAPPSTECKER	BULON DE SEGURIDAD
4	PMF-000012	DADO TENSILOCK	M10	SECURING NUT TENSILOCK	ECROU TENSILOCK	SICHERUNGSMUTTER TENSILOCK	CONTRATUERCA TENSILOCK
5	PMF-000024	DADO AUTOBLOCCANTE	M12	SECURING NUT	ECROU INDESSERRAB	SICHERUNGSMUTTER	CONTRATUERCA
6	02.1053.00	RONDELLA	12X30X4	WASHER	RONDELLE	SCHEIBE	ARANDELLA
7	PMF-000133	VITE TE	M12X30	HEXAGONAL SCREW	VIS SIX PANS	SECHSKANTSCHRAUBE	TORNILLO
8	01.1545.00	SCHIACCIASTOCCHI		STALK CRUSHER	BRIN ECRASER	ZERQUETSCHEN HALM	PLACA
9	02.4465.00	RONDELLA	33X57X8	WASHER	RONDELLE	SCHEIBE	ARANDELLA
10	M1-90097	MOLLA		COMPRESS SPRING	RESSORT	DRUCKFEDER	MUELLE
11	02.4470.00	RONDELLA	33X77X8	WASHER	RONDELLE	SCHEIBE	ARANDELLA
12	01.2749.00	SUPPORTO		SUPPORT	SUPPORT	ABSTUZUNG	SOPORTE
13	01.2750.00	SUPPORTO		SUPPORT	SUPPORT	ABSTUZUNG	SOPORTE
14	PMF-000071	VITE TE	M10X60	HEXAGONAL SCREW	VIS SIX PANS	SECHSKANTSCHRAUBE	TORNILLO
15	PMF-000409	VITE TE	M10X45	HEXAGONAL SCREW	VIS SIX PANS	SECHSKANTSCHRAUBE	TORNILLO
16	01.1565.01	ASTA D'APPOGGIO		SUPPORT ROD	ENCHERE DE SOUTIEN	SPINDEL	VARILLA
17	01.1196.00	BOCCOLA		BUSHING	DOUILLE	BÜCHSE	HEVILLA
18	01.1286.00	STAFFA SINISTRA		LEFT BRACKET	SUPPORT GAUCHE	BUEGEL LINKS	SOPORTE IZQUIERDO
19	01.1276.00	STAFFA DESTRA		RIGHT BRACKET	SUPPORT DROITE	BUEGEL RECHTS	SOPORTE DERECHO
20	05.0073.00	KIT SCHIACCIASTOCCHI COMPLETO		KIT STALK CRUSHER COMPLETE	KIT BRIN ECRASER COMPLETE	ZERQUETSCHEN HALM KOMPLETT	KIT LLENO COMPLETO



Pos	Code	Descrizione	Note	Description	Description	Beschreibung	Descripcìon
1	M1-40122	PORTADOCUMENTI		BRIEFCASE	PORTE DOCUMENTS	MANUSKRIPTHALTER	PORTAFOLIO
2	PMF-000064	VITE TENSILOCK	M10X20	SCREW TENSILOCK	VIS TENSILOCK	SCHRAUBE TENSILOCK	TORNILLO TENSILOCK
3	PMF-000147	VITE TE	M8X20	HEXAGONAL SCREW	VIS SIX PANS	SECHSKANTSCHRAUBE	TORNILLO
4	PMF-000074	RONDELLA	8.4X24X2	WASHER	RONDELLE	SCHEIBE	ARANDELLA
5	01.1809.00	STAFFA		BRACKET	SUPPORT	BUEGEL	SOPORTE
6	PMF-000012	DADO TENSILOCK	M10	SECURING NUT TENSILOCK	ECROU TENSILOCK	SICHERUNGSMUTTER TENSILOCK	CONTRATUERCA TENSILOCK
7	PMF-000026	DADO AUTOBLOCCANTE	M8	SECURING NUT	ECROU INDESSERRAB	SICHERUNGSMUTTER	CONTRATUERCA
8	PMF-000017	VITE TBQS	M8X20	COACH SCREW	VIS A TETE BOMBEE	FLACHRUNDSCHRAUBE	TORNILLO
9	01.1810.00	COPERTURA DESTRA		RIGHT COVER	COUVERTURE DROIT	DECKEL RECHTS	COBERTURA DERECHA
9	01.1811.00	COPERTURA SINISTRA		LEFT COVER	COUVERTURE GAUCHE	DECKEL LINKS	COBERTURA IZQUIERDA



Pos	Code	Descrizione	Note	Description	Description	Beschreibung	Descripcìon
1	01.4410.00	GUIDACATENA	RIGHT	CHAIN GUIDE	GUIDE CHAINE	KETTENFUEHRUNG	GUIA PARA CADENA
1	01.4415.00	GUIDACATENA	LEFT	CHAIN GUIDE	GUIDE CHAINE	KETTENFUEHRUNG	GUIA PARA CADENA
2	PMF-000012	DADO TENSILOCK	M10	SECURING NUT TENSILOCK	ECROU TENSILOCK	SICHERUNGSMUTTER TENSILOCK	CONTRATUERCA TENSILOCK
3	03.4904.00	PIASTRA		PLATE	PLAQUE	PLATTE	PLACA
4	PMF-000390	DADO	M16	HEXAGONAL NUT	ECROU SIX PANS	SICHERUNGSMUTTER	CONTRATUERCA
5	03.4420.01	PIASTRA	RIGHT	PLATE	PLAQUE	PLATTE	PLACA
5	03.4425.01	PIASTRA	LEFT	PLATE	PLAQUE	PLATTE	PLACA
6	03.4400.00	BOCCOLA		BUSHING	DOUILLE	BÜCHSE	HEVILLA
7	PMF-000490	DADO	M6	HEXAGONAL NUT	ECROU SIX PANS	SICHERUNGSMUTTER	CONTRATUERCA
8	PMF-000463	VITE TSEI	M6X35	COUNTERSUNK BOLT	VIS A TETE FRAISEE	SENKSCRAUBE	TORNILLO
9	03.4390.00	COLTELLO		PICKER KNIFE	LAME CUILLEUS	HACHSLERMESSER	CUCHILLO
10	PMF-000491	VITE TSEI	M10X35	COUNTERSUNK BOLT	VIS A TETE FRAISEE	SENKSCRAUBE	TORNILLO
11	02.0100.00	VITE TSEI	M10X25	COUNTERSUNK SCREW	VIS A TETE FRAISEE	SENKSCRAUBE	TORNILLO
12	PMF-000528	VITE TSEI	M10X55	COUNTERSUNK BOLT	VIS A TETE FRAISEE	SENKSCRAUBE	TORNILLO
13	03.4395.00	INGRANAGGIO		GEAR	ROUE DENTEE	STINRAD	ENGRANAJE
14	02.4450.00	CUSCINETTO		BEARING	ROULEMENT	PENDELKUGELLAGER	COJINETE
15	01.3037.00	PERNO		PIVOT	TETON	ZAPFEN	PIVOTE
16	03.4405.00	LAMA		BLADE	LAME	KLINGEN	CUCHILLA
17	PMF-000594	SPESSORE REGISTRABILE	17X24X0.3	SPACER WASHER	RONDELLE ECARTEMENT	DISTANZSCHEIBE	ARANDELLA DISTANCIADORA
18	05.0060.01	KIT GIRASOLE	LEFT	KIT SUNFLOWER	KIT DE TOURNESOL	KIT SONNENBLUME	KIT DE GIRASOL
18	05.0065.01	KIT GIRASOLE	RIGHT	KIT SUNFLOWER	KIT DE TOURNESOL	KIT SONNENBLUME	KIT DE GIRASOL



Pos	Code	Descrizione	Note	Description	Description	Beschreibung	Descripcìon
1	M1-40120	ADESIVO		TAG	ADHESIF	AUFKLEBER	ADHESIVO
2	S1-40102	ADESIVO		TAG	ADHESIF	AUFKLEBER	ADHESIVO
3	S1-40105	ADESIVO		TAG	ADHESIF	AUFKLEBER	ADHESIVO
4	S1-40106	ADESIVO		TAG	ADHESIF	AUFKLEBER	ADHESIVO
5	S1-40107	ADESIVO		TAG	ADHESIF	AUFKLEBER	ADHESIVO
6	15.1738.00	ADESIVO		TAG	ADHESIF	AUFKLEBER	ADHESIVO
7	S1-40117	ADESIVO		TAG	ADHESIF	AUFKLEBER	ADHESIVO



ISO 9001
BUREAU VERITAS
Certification



Certificate No: IT258975

This Company and its organization has been audited and found to be in accordance with the requirement of the standard ISO 9001:2008 for "Research, development and manufacturing of forage and cereal harvesting headers".



capello

Capello s.r.l. – Via Valle Po, 100 – 12100 Cuneo ITALY

Tel. +39 0171-413997 – Fax. +39 0171-413677

www.capelloworld.it

parts@capello.it

Адреса офісу:

52005 м. Дніпро
смт. Слобожанське,
вул. Жасмінова 27

Контакти:

+380 56 375 6680
+380 67 630 9702
manager@liderparts.com.ua
<https://deutz-fahr-ukraine.com>
<https://liderparts.com.ua>